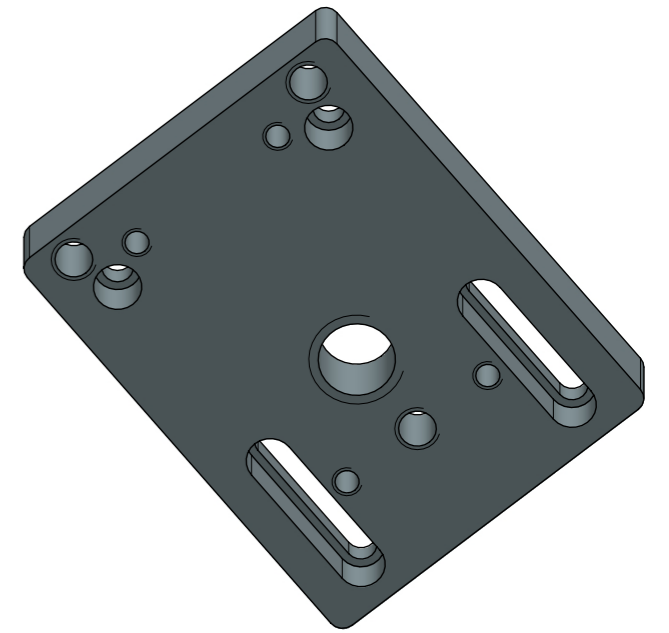


VIEW E  
SCALE 2:1



VIEW F  
SCALE 2:1

1. All linear and radius dimension tolerances according ISO 2768-1 tolerance class f ( fine ) unless noted otherwise
2. True to size after anodization
3. Coating anodized- DIN 17611-E6, color - EV6( black ) the faintness according to reference samples
4. Thread must be functional after coating ( thread may be coated)
5. All edges chamfered 0,25x45° unless noted otherwise

This drawings is the property of XIMEA GmbH. No use thereof shall be made other than as a reference for proposals as submitted to XIMEA GmbH for jobs to be executed in conformity with such proposals unless the consent of said XIMEA GmbH has previously been obtained. No part of this drawing shall be copied or duplicated or its contents disclosed. The information contained on this drawing is confidential and proprietary.

Designed	Date: 20160711	Name: spano	PN: MECH-MT-PR-BRACKET-S	Customer PN: NA	Surface Quality: Ra
Drawn	20160721	SPAN0	Project Class MT Top Level Assembly	Material: ALU 6061	Surface Finish: Black Anodized
Approved	20160721	SPAN0		Weight: 11,5g	
QC	20160721	SPAN0	Change Date Name	Units: mm	Scale: 3:1
MFGP	20160721	SPAN0		Doc Type: EU	Part Doc:
Department: R&D			Default tolerances: ISO2768-1	Format: A3	Page: 1 of 1

