



xiX-XL

[ksi-eks'el:] or [sai-eks'el:]

- Hi-res PCIe cameras with larger format sensors

Introduction

About this manual

Dear customer,

Thank you for purchasing a product from XIMEA.

We hope that this manual can answer your questions, but should you have any further queries or if you wish to claim a service or warranty case, please contact your local dealer or refer to XIMEA Support on our website: www.ximea.com/support

The purpose of this document is to provide a description of XIMEA Cameras and to describe the correct way to install related software, drivers and run it successfully. Please read this manual thoroughly before operating your new XIMEA Cameras for the first time. Please follow all instructions and observe the warnings.

This document is subject to change without notice.

About XIMEA

XIMEA is one of the worldwide leaders for innovative camera solutions with a 30-year history of research, development and production of digital image acquisition systems. Based in Slovakia, Germany and the US, with a global distributor network, XIMEA offers their cameras worldwide. In close collaboration with customers XIMEA has developed a broad spectrum of technologies and cutting-edge, highly competitive products.

XIMEA's camera centric technology portfolio comprises a broad spectrum of digital technologies, from data interfaces such as USB 2.0, USB 3.1 and PCIe to cooled digital cameras with CCD, CMOS and sCMOS sensors, as well as X-ray cameras.

XIMEA has three divisions – generic machine vision and integrated vision systems, scientific imaging and OEM/custom.

Our broad portfolio of cameras includes thermally stabilized astronomy and x-ray cameras, as well as specialty cameras for medical applications, research, surveillance and defense.

Contact XIMEA

XIMEA is a worldwide operating company

Headquarters, Sales worldwide

XIMEA GmbH
Am Mittelhafen 16
48155 Münster
Germany

Tel: +49 (251) 202 408-0
Fax: +49 (251) 202 408-99

Web www.ximea.com
General inquiries info@ximea.com
Sales sales@ximea.com
Support [XIMEA Support](#)

Sales America

XIMEA Corp.
12600 W Colfax Ave., Suite A-130
Lakewood, CO 80215
USA

Tel: +1 (303) 389-9838
Fax: +1 (303) 202-6350

R&D, Production

XIMEA s.r.o.
Lesná 52
900 33 Marianka
Slovakia

Tel: +421 (2) 205 104 26
Fax: +421 (2) 205 104 27

Standard conformity

CE conformity



Figure 1: Standard conformity CE logo

The camera models listed below, equipped with the SFF-8644 adapter (XIMEA P-N: ADPT-MX-X4G3-FF-X4G3-SFF), comply with the EC EMC Directive 2014/30/EU requirements for electromagnetic compatibility.

The measurements and testing were conducted using a 5-meter PCIe SFF-8644 copper cable and a 10-meter SFF-8644 fiber optic cable.

Certified camera models include

MX1018CR-SY-X4G3-FF

MX1018MR-SY-X4G3-FF

MX1510CR-SY-X4G3-FF

MX1510MR-SY-X4G3-FF

UKCA conformity



Figure 2: Standard conformity UKCA logo

We declare that the products listed below comply with the requirements of Directive 2014/35/EU (Low Voltage Directive) and Directive 2014/30/EU (Electromagnetic Compatibility).

All tests are based on EU rules and standards valid before January 1, 2021 (Brexit). The harmonized EU product standards were converted into UK designated standards on exit day. Based on that, these products are UKCA compliant.

Certified camera models include

MX1018CR-SY-X4G3-FF

MX1018MR-SY-X4G3-FF

MX1510CR-SY-X4G3-FF

MX1510MR-SY-X4G3-FF

FCC conformity



Figure 3: Standard conformity FCC logo

The camera models listed below have been tested and found to comply with Part 15 of the FCC rules, which states that:

Operation is subject to the following two conditions:

1. This device may not cause harmful interference.
2. This device must accept any interference received, including interference that may cause undesired operation.

This equipment has been tested and found to comply with the limits for a Class A digital device, pursuant to Part 15 of the FCC rules. These limits are designed to provide reasonable protection against harmful interference when the equipment is operated in a commercial environment. This equipment generates, uses, and can radiate radio frequency energy and, if not installed and used in accordance with the instruction manual, may cause harmful interference to radio communications. Operation of this equipment in a residential area is likely to cause harmful interference, in which case the users will be required to correct the interference at their own expense.

You are cautioned that any changes or modifications not expressly approved in this manual could void your authority to operate this equipment under the above jurisdictions. The shielded interface cable recommended in this manual must be used with this equipment to comply with the limits for a computing device pursuant to Subpart J of Part 15 of FCC Rules.

Certified camera models include

MX1018CR-SY-X4G3-FF

MX1018MR-SY-X4G3-FF

MX1510CR-SY-X4G3-FF

MX1510MR-SY-X4G3-FF

These models have not been EMC certified, yet: MX2457CR-SY-X4G3-FF, MX2457MR-SY-X4G3-FF, MX610CR-SY-X4G3-FF and MX610MR-SY-X4G3-FF.

RoHS conformity



Figure 4: Standard conformity RoHS logo

The products described in this technical manual comply with the RoHS-3 (Restriction of Hazardous Substances) Directive 2015/863/EU.

WEEE conformity



Figure 5: Standard conformity WEEE logo

The products described in this technical manual comply with the WEEE (Waste Electrical and Electronic Equipment) Directive 2012/19/EU.

GenICam GenTL API



The [GenICam/GenTL](#) standard offers a device-agnostic interface for the acquisition of images and other data types, as well as for communication with devices. This enables each XIMEA camera to function as a GenTL Producer, facilitating the capture of images through a standardized transport layer interface.

Disclaimer

This document and the technical data contained herein are for descriptive purposes only and not binding. They are not to be construed as warranted characteristics or guarantees of properties, quality or durability in the legal sense. Specifications are subject to change without notice. The information contained in this document is provided “as is” without warranty of any kind.

Helpful links

XIMEA Homepage	http://www.ximea.com/
XIMEA Support	https://www.ximea.com/support/wiki/allprod/Contact_Support
Frequently Asked Questions	http://www.ximea.com/support/wiki/allprod/Frequently_Asked_Questions
Knowledge Base	http://www.ximea.com/support/wiki/allprod/Knowledge_Base
XIMEA Software Package	https://www.ximea.com/support/wiki/apis/APIs#Software-packages
Vision Libraries	http://www.ximea.com/support/projects/vision-libraries/wiki
XIMEA General Terms & Conditions	http://www.ximea.com/en/corporate/generaltc

Contents

About this manual	2
About XIMEA	2
Contact XIMEA	2
Standard conformity	3
Helpful links	5
1 xiX-XL camera series	9
1.1 What is xiX-XL	9
1.2 Advantages	9
1.3 Camera applications	10
1.4 Common features	10
1.5 Model nomenclature	11
1.6 Models and sensors overview	12
1.7 Accessories overview	13
1.8 Camera connection diagram	15
2 Hardware specification	16
2.1 Power supply	16
2.2 General specification	17
2.2.1 Environment	17
2.3 Lens mount	18
2.3.1 C-mount	18
2.3.2 EF-mount	18
2.3.3 M72-mount	19
2.4 Mounting points	20
2.4.1 M2 Mounting screws	21
2.4.2 M4 Mounting screws	21
2.5 Optical path	22
2.6 Sensor and camera characteristics	27
2.6.1 Sensor and camera parameters	27
2.6.2 Image quality parameters	29
2.6.3 Sensor read-out modes	35
2.6.4 Quantum efficiency curves	40
2.7 Mechanical characteristics	42
2.7.1 Dimensions and mass	42
2.7.2 Dimensional drawings	43
2.8 User interface – LEDs	51
2.9 Camera interface	52
2.9.1 PCIe / FireFly interface	52
2.10 Digital inputs / outputs (GPIO) interface	55
2.10.1 Optically isolated Digital Input (IN)	57
2.10.2 Optically isolated Digital Output (OUT)	58
2.10.3 Non-isolated digital lines - Digital Input-Output (INOUT)	59
2.11 Accessories	60
2.11.1 CBL-PB4-PWR-0M15	60
2.11.2 CBL-PB6-PT-0M30	60
2.11.3 CBL-ECUE-X4G3-1M0/2M0/3M0	60
2.11.4 HQCD Cable	61
2.11.5 CB-X8G3-FAN-COOLER	63
2.11.6 CB-X8G3-WAT-COOLER-KIT	64
2.11.7 MECH-60MM-BRACKET-T	66
2.11.8 MECH-60MM-EF-ADAPTER	67
2.11.9 LA-C-MNT-60MM-xxx-KIT	68
2.11.10 ME-LA-80MM-M72-L-KIT	69
2.11.11 ADPT-MX-X4G3-FF-X4G3-MTP	70
2.11.12 CBL-MT-PWR-SYNC-3M0	73
2.11.13 ADPT-MX-X4G3-FF-X4G3-SFF	74

2.11.14	FireFly MTP adapters	77
2.11.15	PCIe host adapters	79
3	General features	81
3.1	Camera features	81
3.1.1	ROIs – Region of interest	81
3.1.2	Downsampling modes	81
3.1.3	Image data output formats	82
3.2	Acquisition modes	83
3.2.1	Free-Run	83
3.2.2	Trigger controlled acquisition/exposure	83
3.3	Exposure time	85
3.4	Gain	85
3.5	Sensor Shutter Modes	86
3.5.1	Global Reset Release Mode	86
3.5.2	Rolling Shutter Mode	87
3.6	API Features	88
3.6.1	Exposure – Auto gain	88
3.6.2	Parallel ADC readout mode	88
3.6.3	High conversion gain mode	88
3.6.4	Programmable gain - north	88
3.6.5	Programmable gain - south	88
3.6.6	White balance	88
3.6.7	Gamma	88
3.6.8	Sharpness	89
3.6.9	Color correction matrix	89
3.6.10	Sensor defect correction	89
3.6.11	Flat field correction	89
4	Operation	93
4.1	System requirements	93
4.1.1	Software requirements	93
4.2	XIMEA software packages	94
4.2.1	XIMEA Windows software package	94
4.2.2	XIMEA Linux software package	97
4.2.3	XIMEA macOS software package	99
4.3	XIMEA CamTool	102
4.4	XIMEA control panel	103
4.5	Supported vision libraries	104
4.5.1	MathWorks MATLAB	104
4.5.2	MVTec HALCON	104
4.5.3	National Instruments LabVIEW vision library	104
4.5.4	OpenCV	104
4.6	Programming	105
4.6.1	Standard interface	105
4.6.2	xiAPI	105
5	Appendix	109
5.1	Troubleshooting and support	109
5.1.1	Worldwide support	109
5.1.2	Before contacting technical support	109
5.2	Frequently Asked Questions	109
5.3	Product service request (PSR)	110
5.4	Safety instructions and precautions	111
5.5	Warranty	111
5.6	Standard Terms & Conditions of XIMEA GmbH	111
5.7	List of Trademarks	111
5.8	Copyright	111
	Glossary	112

List of figures 113
List of tables 115

1 xiX-XL camera series

1.1 What is xiX-XL



xiX-XL is the high-resolution camera family with PCI express Interface and detachable sensor heads:

- xiX-XL is the high-resolution camera family with PCI express Interface
- BSI sensors: Sony CMOS sensors: 61 Mpx, 101 Mpx, and 151 Mpx
- Full frame 35 mm and Medium format sensor sizes
- Backside illumination technology for high quantum efficiency of up to 90 %
- Impressive speed - 61 Mpx at 17 fps, 101.8 Mpx at 8.7 fps, 150.8 Mpx at 6.2 fps, 127.7 Mpx at 20 fps, 245.7 Mpx at 10 fps, and more with binning

The new xiX-XL cameras as part of the xiX-camera series are based on sensors with backside-illuminated technology from Sony and deliver resolutions starting from 61 Mpx and going up to 245.7 Mpx. With a very high quantum efficiency, reaching 90 % sensitivity, each sensor offers a high dynamic range of 80 dB, resulting in high-quality 16-bit RGB or black-and-white images. Even though these sensors have a small pixel size of 3.76 nm, the saturation capacity is well above 40 000 e..

The small pixel size also allows the individual cameras (with a resolution of over 150 Mpx) to be condensed in space-restricted applications. The separation of the sensor head from the camera body can further assist with building various multicamera systems. All this is combined with the PCI-Express interface allowing data throughputs up to 32 Gbit/s.

1.2 Advantages

Industry standard interface	PCI Express
Compact	compared to sensor size the cameras are relatively small with the possibility to separate sensor head and camera electronics
Powerful	32 Gbit/s interface using standard PCI express hardware (X4G3 models)
High resolutions	high resolution, high frame rate: 61 Mpx at 17 fps, 101.8 Mpx at 8.7 fps, 150.8 Mpx at 6.2 fps, 127.7 Mpx at 20 fps, 245.7 Mpx at 10 fps
Robust	full metal semi-housed
Compatibility	support for Windows, Linux and MacOS, various image processing libraries
Connectivity	programmable opto-isolated I/O, and non-isolated digital input and output
Software interfaces	GenICam / GenTL and highly optimized xiAPI SDK
Economical	excellent value and price, low TCO and fast ROI
Low latency	computer CPU not involved in data transfer, latency from camera to memory is low
Optimized transfer	GPU-direct (Linux only) ideal for setup using GPU for image processing

1.3 Camera applications

- 360 panorama (360° spherical, cyclorama imaging), photogrammetry, videogrammetry
- 3D mapping, GIS (Geographical Information Systems)
- aerial or city/street mapping (UAV / UAS - drones)
- astronomy

1.4 Common features

Sensor technology CMOS	rolling shutter, backside illuminated (BSI)
Acquisition modes	continuous, software and hardware trigger, fps limiting, triggered exposure and burst
Partial image readout ROI	decimation and binning modes supported (model specific)
Image data formats	8, 10, 12, 14 or 16 bit RAW pixel data
Color image processing	host based de-bayering, sharpening, gamma, color matrix, true color CMS
Hot/blemish pixels correction	on camera storage of up to 5000 px coordinates, host assisted correction
Auto adjustments	Auto white balance, auto gain, auto exposure
Flat field corrections	host assisted pixel level shading and lens corrections
Image data and control interface	PCIe FireFly x4 Gen3
General purpose I/O	2x opto-isolated input, 2x opto-isolated output, and 4x non-isolated bidirectional I/O, 4x user configurable LEDs
Synchronization	hardware trigger input, software trigger, exposure strobe output, busy output
Housing and lens mount	M72 lens adapter, optional hasselblad mount, EF-mount
Power requirements	external power supply required of 12 to 24 V DC
Environment	operating 0 to 50 °C on housing, RH 80 % non-condensing, -25 to 60 °C storage
Operating systems	Windows, Linux Ubuntu, MacOS
Software support	xiAPI SDK, adapters and drivers for various image processing packages
Firmware updates	xiAPI SDK, field firmware updatable

1.5 Model nomenclature

xiX-XL MX(x)xxxY-T-zz-X4G3-FF

MX xiX family name

xxx: (x)xxx: resolution in 0.1 Mpx. E.g. 2.3 Mpx resolution: xxx = 23 or 101.8 Mpx Resolution: (x)xxx = 1018

y: Color sensing

C: color model

M: black & white model

T: Sensor technology

R: Rolling shutter

G: Global shutter

zz: Vendor of the sensor

SY: Sony

X4G3: Number of PCIe lanes used, 4 for these cameras
PCIe generation, currently at Gen 3 for these cameras

FF: FireFly cable connection

1.6 Models and sensors overview

Camera model	Sensor model	Sensor type	Filter	Resolution [px]	Pixel size [μm]
MX1018CR-SY-X4G3-FF	Sony IMX461	Color	BayerRG	11 648 × 8742	3.76
MX1018MR-SY-X4G3-FF	Sony IMX461	Monochrome	None	11 648 × 8742	3.76
MX1510CR-SY-X4G3-FF	Sony IMX411	Color	BayerRG	14 176 × 10 640	3.76
MX1510MR-SY-X4G3-FF	Sony IMX411	Monochrome	None	14 176 × 10 640	3.76
MX2457CR-SY-X4G3-FF	Sony IMX811	Color	BayerRG	19 200 × 12 800	2.81
MX2457MR-SY-X4G3-FF	Sony IMX811	Monochrome	None	19 200 × 12 800	2.81
MX610CR-SY-X4G3-FF	Sony IMX455	Color	BayerRG	9568 × 6380	3.76
MX610MR-SY-X4G3-FF	Sony IMX455	Monochrome	None	9568 × 6380	3.76

Table 1: List of camera models and their respective sensor models and filters

1.7 Accessories overview

The following accessories are available:

Item P/N	Description
CBL-PB4-PWR-0M15	Power cable with barrel connector 15 cm long
CBL-PB6-PT-0M30	IO pig tail cable 30 cm long
CBL-ECUE-X4G3-1M0	Cable Micro Assembly, Low-Profile FireFly, 1 m ¹
HQCD-030-06.00-STR-TTL-1B	Highspeed Coaxial HQCD cable, 15 cm length ²
HA-2P-X4G3-FF-X8G3	Host adapter with 2 ports for PCIe Gen.3 x4 Firefly cables
HA-8P-X4G3-FF-X16G3	Host adapter with 8 ports for PCIe Gen.3 x4 Firefly cables
HA-2P-X4G3-SFF-X4G3	PCIe SFF Host Adapter Dual
HA-4P-X4G3-SFF-X16G3	PCIe SFF x8 Host Adapter Quad
HA-1P-X4G3-MTP-X8G3	Host adapter with 1 port for PCIe Gen.3 x4 MTP cables
HA-2P-X4G3-MTP-X8G3	Host adapter with 2 ports for PCIe Gen.3 x4 MTP cables
ADPT-1P-X4G3-FF-X4G3-MTP	PCIe Adapter FireFly to MTP
ADPT-1P-X4G3-FF-X4G3-SFF	PCIe Adapter FireFly to SFF
ADPT-MX-X4G3-FF-X4G3-MTP	MTP Backside Adapter for MX-X4G3-FF camera
ADPT-MX-X4G3-FF-X4G3-SFF	SFF Backside Adapter for MX-X4G3-FF camera
CBL-MT-PWR-SYNC-3M0	3.0 m I/O Sync and power cable for cameras with Backside Adapter
CBL-SFF-X4G3-COP-5M0	PCIe Gen.3 x4 copper SFF cable 5 m
CBL-SFF-X4G3-10M0	PCIe Gen.3 x4 fiber SFF cable 10 m ³
CBL-MTP-X4G3-FF-5M0	5 meter MTP fiber optic trunk cable Gen3 x4 lanes ⁴
CB-X8G3-FAN-COOLER-KIT	Heatsink Fan Cooler for X8G3 cameras with screws Kit
CB-X8G3-WAT-COOLER-KIT	Heatsink Water Cooler for X8G3 cameras with screws Kit
ADPT-MX-MTP-FAN-COOLER	Mini water module cooling for MTP Backside Adapter
ADPT-MX-MTP-WAT-COOLER	Mini water module cooling for MTP Backside Adapter
XS-8P-X2G2-FF-X8G3	Multi camera platform 8 ports and iPass output
XS-8P-X2G2-FF-X8G3-MTP	Multi camera platform 8 ports and MTP output
XS-8P-X2G2-FF-X8G3-SFF	Multi camera platform 8 ports and SFF output
XS-2P-X4G3-TBT3-B	Thunderbolt 3 adapter to attach PCIe cameras to laptop - bus powered
XS-2P-X4G3-TBT3-S	Thunderbolt 3 adapter to attach PCIe cameras to laptop - 2 ports
XEC-NX-3P-X2G3	NVIDIA Jetson NX carrier board
XEC-NX-3P-X2G3-ORIN-16GB-KIT	NVIDIA Jetson NX carrier board with Orin module
MECH-60MM-BRACKET-T-KIT	MECH Tripod Bracket 60 mm with Screws Kit
MECH-60MM-EF-ADAPTER-KIT	Canon EF Lens Mount Adapter Kit
LA-E-MNT-60MM-KIT	Sony passive lens E-mount Lens Mount Adapter Kit
ME-LA-80MM-M72-L-KIT	M72 lens adapter with screws Kit

¹Available also in 2 and 3 m length

²Available also in 50 and 100 cm length

³Available also in 30 and 50 m length

⁴Available also in 10, 20, 30 and 53 m length

Table 2: Accessories overview

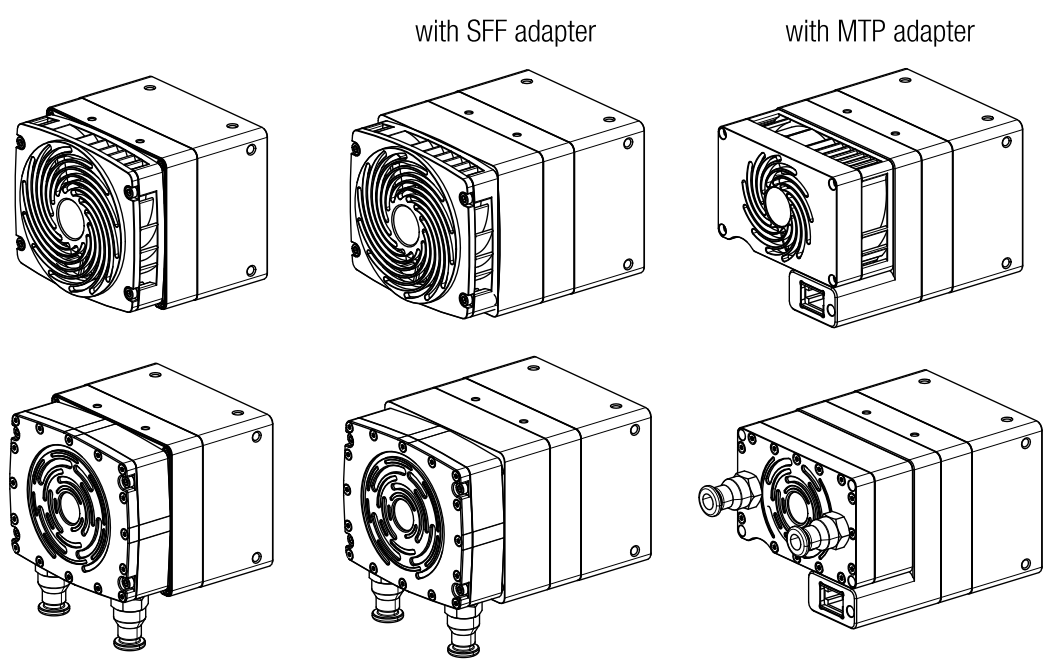


Figure 6: Camera with accessory & cooling options

2 Hardware specification

2.1 Power supply

The power consumption table can consist of several values:

- Supply voltage:** Voltage used for measuring the power consumption.
- Idle:** The average power consumption when the camera is powered, but not opened/initialized in software.
- Typical:** The average power consumption during streaming in the most power-intensive mode, (typically the one with the highest frame rate).
- Maximum:** The highest power consumption peak recorded during streaming in the most power-intensive mode, (measured using a current probe).

Power consumption of:

MX1018CR-SY-X4G3-FF

MX1018MR-SY-X4G3-FF

Supply Voltage ¹	Consumption idle	Consumption typical	Consumption maximum
12 V	9.66 W	13.9 W	14.3 W

¹Supported voltage 12 - 24 V

Table 3: Power consumption of the specific models

Power consumption of:

MX1510CR-SY-X4G3-FF

MX1510MR-SY-X4G3-FF

Supply Voltage ¹	Consumption idle	Consumption typical	Consumption maximum
12 V	9.5 W	14.1 W	14.5 W

¹Supported voltage 12 - 24 V

Table 4: Power consumption of the specific models

Power consumption of:

MX2457CR-SY-X4G3-FF

MX2457MR-SY-X4G3-FF

Supply Voltage ¹	Consumption idle	Consumption typical	Consumption maximum
24 V	10.5 W	18.3 W	18.5 W

¹Supported voltage 12 - 24 V

Table 5: Power consumption of the specific models

Power consumption of:

MX610CR-SY-X4G3-FF

MX610MR-SY-X4G3-FF

Supply Voltage ¹	Consumption idle	Consumption typical	Consumption maximum
12 V	9.55 W	13.5 W	13.9 W

¹Supported voltage 12 - 24 V

Table 6: Power consumption of the specific models

2.2 General specification

2.2.1 Environment

Description	Symbol	Value
Optimal ambient temperature operation	T_{opt}	10 to 25 °C
Ambient temperature operation	T_{max}	0 to 50 °C
Ambient temperature for storage and transportation	$T_{storage}$	-25 to 60 °C
Relative Humidity, non-condensing	RH	80 %

Table 7: Environment

Housing temperature must not exceed 65 °C.

Note: The following parameters are not guaranteed if the cameras are operated outside the optimum range:

- Dark current
- Dynamic Range
- Linearity
- Acquisition
- Readout noise
- S/N ratio
- Durability

2.3 Lens mount

2.3.1 C-mount

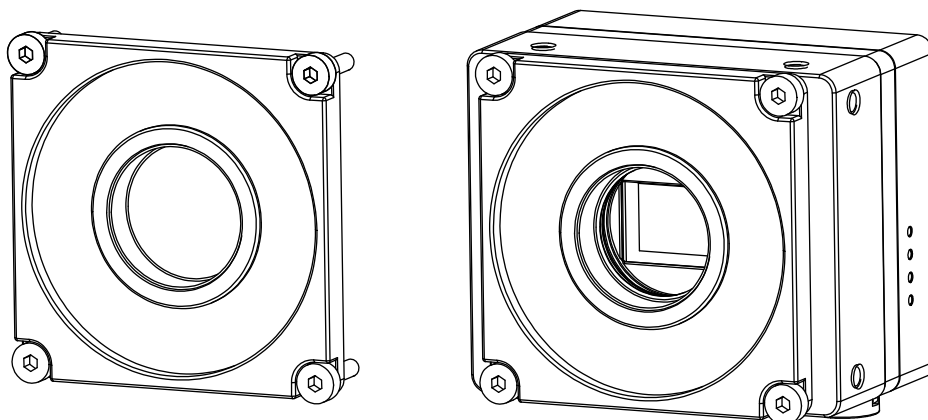


Figure 8: Lens mount adapter C-Mount 60mm (left) , camera with adapter (right)

Camera models, featuring a 4/3" or smaller sensor format, are compatible with a C-mount lens adapter, which is securely fastened in the front mount holes using four M4 screws. For further details, please refer to section [LA-C-MNT-60MM-xxx-KIT](#).

The mentioned lens adapter can optionally be included in:

MX610CR-SY-X4G3-FF

MX610MR-SY-X4G3-FF

2.3.2 EF-mount

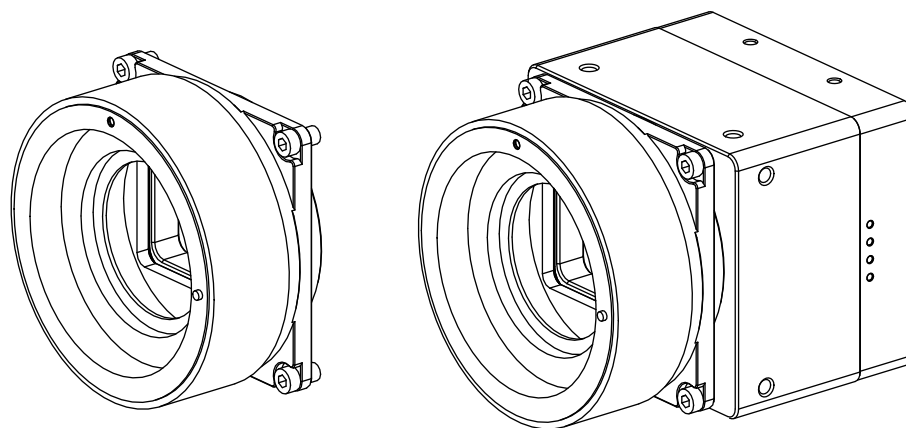


Figure 9: Lens mount adapter EF-mount (left) , camera with adapter (right)

The cameras are optionally delivered with or without an outer EF-Mount Adapter. This adapter, when active, enables remote control over aperture, focus, and image stabilization, and is securely mounted to the camera using four M4x6 screws. The distance between the outer EF-Mount Adapter and the active sensor surface is 44 mm, and when no EF-Mount Adapter is included, it is 13.78 mm. Refer to [MECH-60MM-EF-ADAPTER](#) for more information.

The mentioned lens adapter can be optionally included in:

MX610CR-SY-X4G3-FF

MX610MR-SY-X4G3-FF

2.3.3 M72-mount

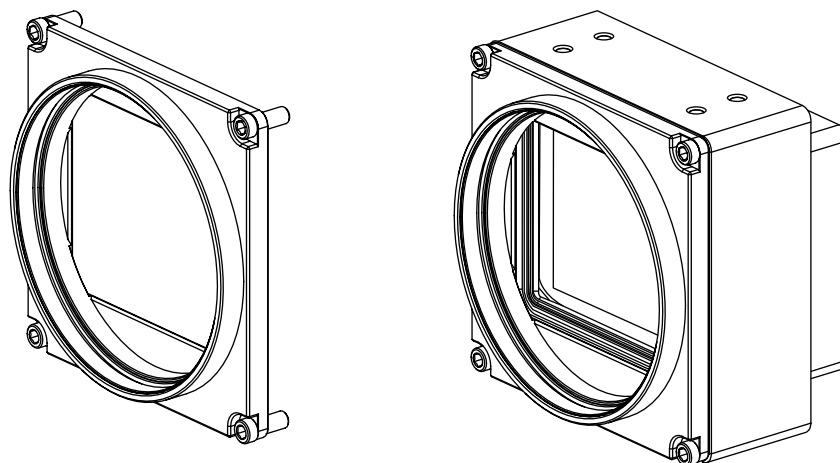


Figure 10: Lens mount adapter M72-mount (left) , camera with adapter (right)

The M72 Lens Adapter is specifically designed for an 80×80 mm front camera element, providing seamless integration and expanded lens options for enhanced versatility. The adapter is mounted to the camera using 4 M4x10 screws. For further details on the M72 Lens Adapter, please refer to the section [ME-LA-80MM-M72-L-KIT](#).

The mentioned lens adapter can be optionally included in:

MX1018CR-SY-X4G3-FF

MX1018MR-SY-X4G3-FF

MX1510CR-SY-X4G3-FF

MX1510MR-SY-X4G3-FF

MX2457CR-SY-X4G3-FF

MX2457MR-SY-X4G3-FF

2.4 Mounting points

The mounting points available to the customer are shown below. Use only the designated threaded holes for mounting the camera. Utilize only the specified screws and torques when fastening.

Specific mounting information can be found in the dimensional drawings of the camera models located in section [Dimensional drawings](#).

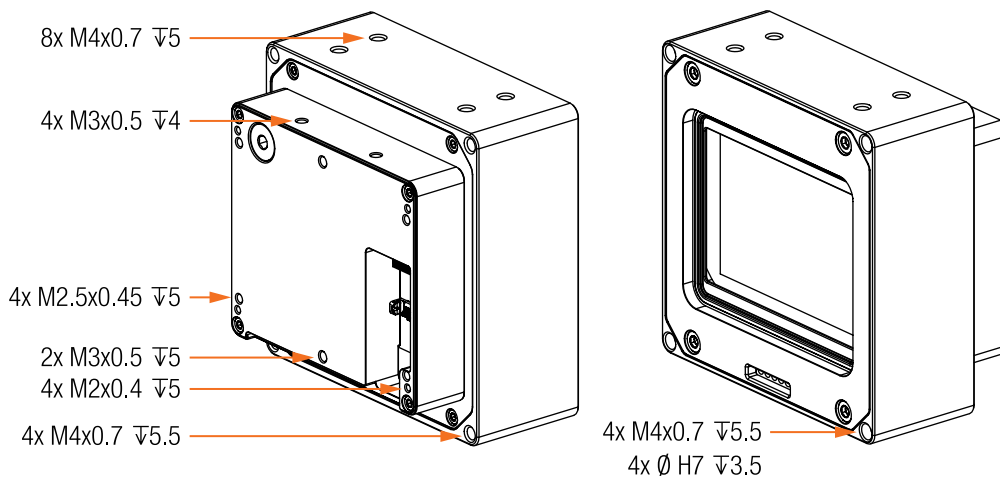


Figure 11: xiX-XL camera mounting points

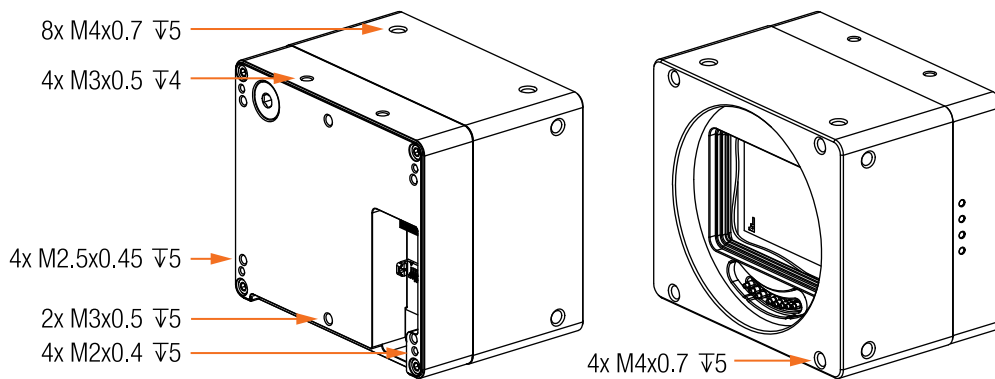


Figure 12: xiX-XL camera mounting points (MX610)

2.4.1 M2 Mounting screws

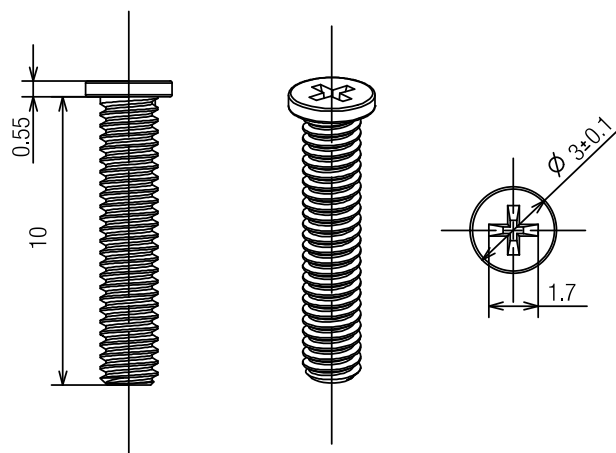


Figure 13: M2 mounting screws

Item	Material	Surface	Thread	Driver	Avail. lengths
Value	Steel	Black zinc	M2	PH 00	3 to 24 mm

Table 8: M2 screw description

Never exceed a maximum torque of 0.3 N m when fastening the M2 mounting screws.

2.4.2 M4 Mounting screws

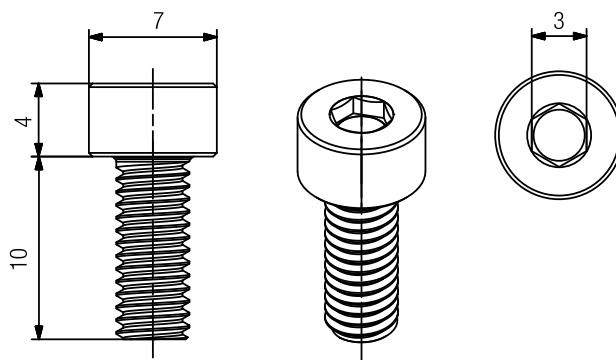


Figure 14: M4 mounting screws

Item	Material	Surface	Thread	Driver	Avail. lengths
Value	Stainless steel	Polished	M4 Full thread	INBUS 3.0	6 to 40 mm

Table 9: M4 screw description

2.5 Optical path

The optical path in cameras defines the course traversed by light from the observed object to the image captured by the sensor. It involves complex interactions with components (e.g. lenses).

The flange focal distance (FFD) or optical distance is the distance between a lens's mounting flange and a camera's sensor plane. In standard setups, it assumes that only air fills the space between the lens and the sensor. However, the introduction of additional elements like windows or filters can alter the focal plane through refraction, requiring an adjusted FFD for proper alignment.

The presence or absence of a filter or sensor window in the camera depends on the camera model. The distance from the flange to the sensor is designed (refer to the camera cross-section image below for visual information).

Do not use compressed air to clean the camera as this could push dust particles into the camera or potentially cause damage (e.g. scratches).

Cross-section corresponding to:

MX1018CR-SY-X4G3-FF

MX1018MR-SY-X4G3-FF

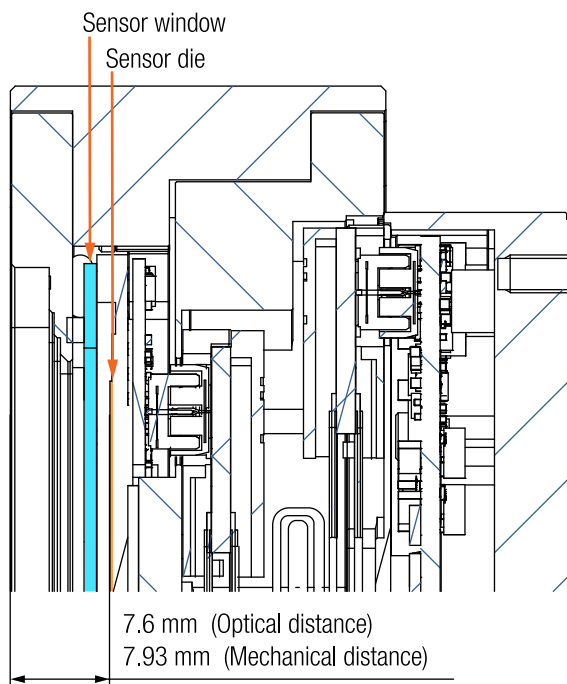


Figure 15: Cross section of MX1018xR-SY-X4G3-FF camera models

Sensor window	Value
Thickness	1 mm

Table 10: Sensor window details

Cross-section corresponding to:

MX1510CR-SY-X4G3-FF

MX1510MR-SY-X4G3-FF

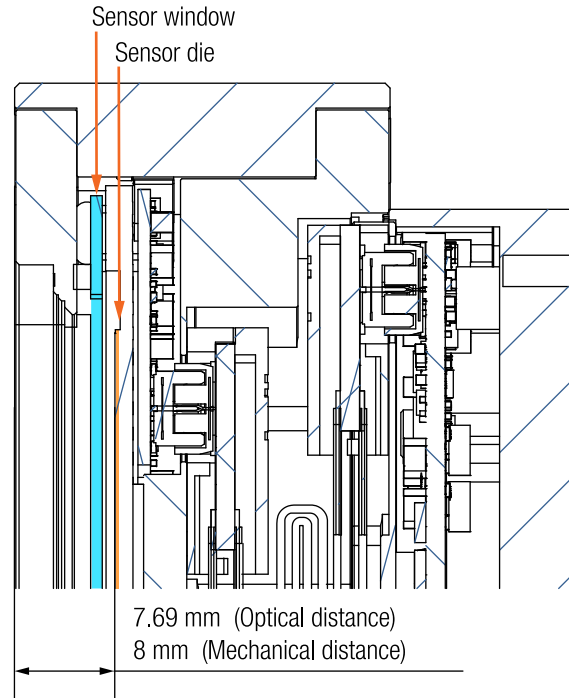


Figure 16: Cross section of MX1510xR-SY-X4G3-FF camera models

Sensor window	Value
Thickness	1.2 mm

Table 11: Sensor window details

Cross-section corresponding to:
MX2457CR-SY-X4G3-FF

MX2457MR-SY-X4G3-FF

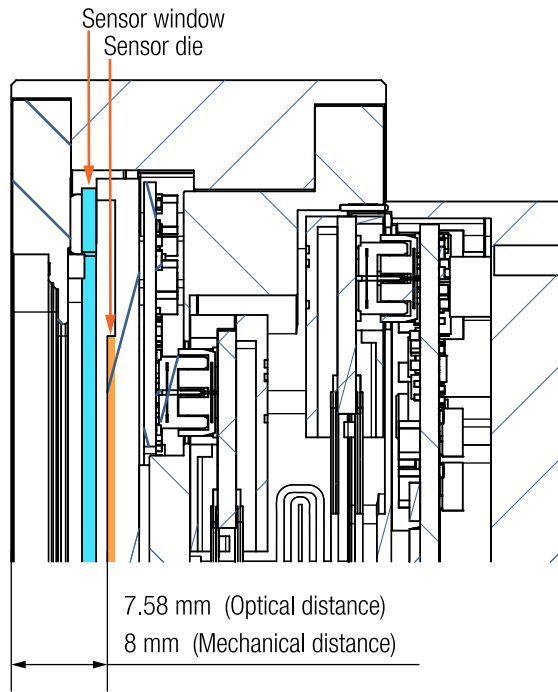


Figure 17: Cross section of MX2457xR-SY-X4G3-FF camera models

Sensor window	Value
Thickness	1.2 mm

Table 12: Sensor window details

Cross-section corresponding to:
MX610CR-SY-X4G3-FF

MX610MR-SY-X4G3-FF

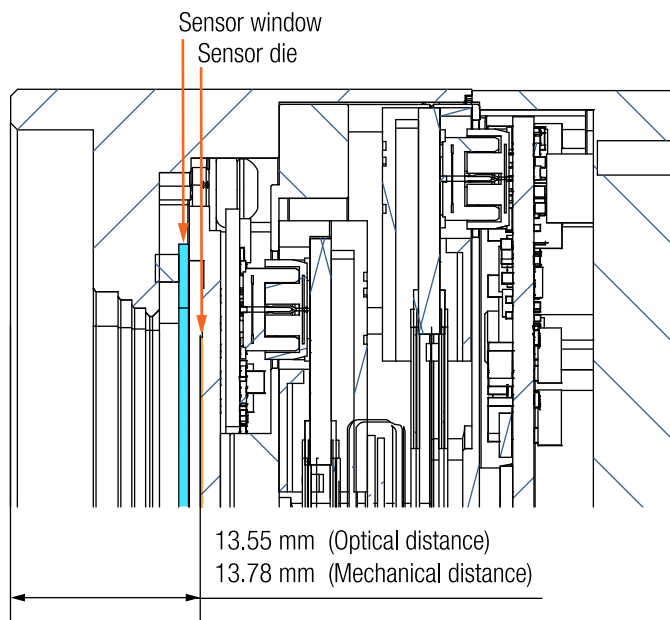


Figure 18: Cross section of MX610xR-SY-X4G3-FF camera models

Sensor window	Value
Thickness	0.7 mm

Table 13: Sensor window details

The following text applies to:
all models in this manual (refer to the table [Models and sensors overview](#))

Ximea does not add any filter window. All windows are provided by the sensor vendor.

2.6 Sensor and camera characteristics

2.6.1 Sensor and camera parameters

Sensor parameters of:
MX1018CR-SY-X4G3-FF

MX1018MR-SY-X4G3-FF

Description	Value	Unit
Technology	CMOS	None
Pixel resolution (H x V)	11648 x 8742	[px]
Active area size (H X V)	43.83 x 32.87	[mm]
Sensor diagonal	54.8	[mm]
Pixel size (H x V)	3.76 x 3.76	[μ m]

Table 14: Sensor parameters of the specific models

Sensor parameters of:
MX1510CR-SY-X4G3-FF

MX1510MR-SY-X4G3-FF

Description	Value	Unit
Technology	CMOS	None
Pixel resolution (H x V)	14176 x 10640	[px]
Active area size (H X V)	53.36 x 40.00	[mm]
Sensor diagonal	66.6	[mm]
Pixel size (H x V)	3.76 x 3.76	[μ m]

Table 15: Sensor parameters of the specific models

Sensor parameters of:
MX2457CR-SY-X4G3-FF

MX2457MR-SY-X4G3-FF

Description	Value	Unit
Technology	CMOS	None
Pixel resolution (H x V)	19200 x 12800	[px]
Active area size (H X V)	53.952 x 35.968	[mm]
Sensor diagonal	64.8	[mm]
Pixel size (H x V)	2.81 x 2.81	[μ m]

Table 16: Sensor parameters of the specific models

Sensor parameters of:
MX610CR-SY-X4G3-FF

MX610MR-SY-X4G3-FF

Description	Value	Unit
Technology	CMOS	None
Pixel resolution (H x V)	9568 x 6380	[px]
Active area size (H X V)	35.98 x 23.86	[mm]
Sensor diagonal	43.2	[mm]
Pixel size (H x V)	3.76 x 3.76	[μm]

Table 17: Sensor parameters of the specific models

2.6.2 Image quality parameters

The image quality parameters listed below represent typical values for these camera models. Minor variations may occur between different units of the same model.

Image quality parameters of:

MX1018CR-SY-X4G3-FF

MX1018MR-SY-X4G3-FF

Mode		Low noise	High dynamic range	High sat. capacity
Binning (H x V)	-	1 × 1	1 × 1	3 × 3
Sensor bit/px	[bit/px]	16	16	12
Parallel ADC	-	On	On	On
High gain	-	On	-	-
Shutter type	-	Rolling	Rolling	Rolling
Analog gain	[dB]	6	0	0
Parameters				
Temporal dark noise	[e.]	1.2	3.1	51
Absolute sensitivity threshold	[e.]	1.7	3.6	51.5
Saturation capacity	[ke.]	7.4	46.4	361.1
Dynamic range	[dB]	72.8	82.3	76.9
MAX Signal-to-noise ratio	[dB]	38.7	46.7	55.6
Overall system gain	[e./DN]	7.95	0.78	97.14
Dark current	[e./s]	0.6	1.2	8.5
DSNU	[e.]	0.2	0.4	5.7
PRNU	[%]	1.7	1.2	1.2
Linearity error	[%]	0.4	0.3	0.1

Table 18: Image quality parameters of the specific models

Image quality parameters of:
MX1510CR-SY-X4G3-FF

MX1510MR-SY-X4G3-FF

Mode		Low noise	High dynamic range	High sat. capacity
Binning (H x V)	-	1 × 1	1 × 1	3 × 3
Sensor bit/px	[bit/px]	16	16	12
Parallel ADC	-	On	On	On
High gain	-	On	-	-
Shutter type	-	Rolling	Rolling	Rolling
Analog gain	[dB]	6	0	0
Parameters				
Temporal dark noise	[e.]	1.3	3.2	52.5
Absolute sensitivity threshold	[e.]	1.8	3.7	53
Saturation capacity	[ke.]	7.45	45.7	369.4
Dynamic range	[dB]	72.8	81.8	76.9
MAX Signal-to-noise ratio	[dB]	38.7	46.6	55.7
Overall system gain	[e./DN]	7.84	0.78	98.28
Dark current	[e./s]	0.6	1.2	8.5
DSNU	[e.]	0.2	0.5	5.1
PRNU	[%]	2.5	1.1	1.1
Linearity error	[%]	0.6	0.9	0.3

Table 19: Image quality parameters of the specific models

Image quality parameters of:
MX2457CR-SY-X4G3-FF

Mode		Low noise	High dynamic range	High sat. capacity
Sens.Bin. (Hor.x Ver.)	-	None	None	None
Sensor bit/px	[bit/px]	16	16	16
Parallel ADC	-	None	None	None
High gain	-	On	-	-
Shutter type	-	Rolling	Rolling	Rolling
Analog gain	[dB]	None	None	None
Parameters				
Temporal dark noise	[e.]	1.47	3.06	5.03
Absolute sensitivity threshold	[e.]	1.97	3.56	5.53
Saturation capacity	[ke.]	9.78	25.57	64.64
Dynamic range	[dB]	73.93	77.13	81.36
MAX Signal-to-noise ratio	[dB]	39.97	44.19	48.12
Overall system gain	[e./DN]	0.17	0.43	1.11
Dark current	[e./s]	0.04	0.03	0.09
Dark current meas. temp.	[°C]	None	None	None
DSNU	[e.]	0.27	0.39	0.65
PRNU	[%]	1.09	1.06	0.46
Linearity error	[%]	0.08	0.1	0.13

Table 20: Image quality parameters of the specific models

Image quality parameters of:
MX2457MR-SY-X4G3-FF

Mode		Low noise	High dynamic range	High sat. capacity
Sens.Bin. (Hor.x Ver.)	-	None	None	None
Sensor bit/px	[bit/px]	16	16	16
Parallel ADC	-	None	None	None
High gain	-	On	-	-
Shutter type	-	Rolling	Rolling	Rolling
Analog gain	[dB]	None	None	None
Parameters				
Temporal dark noise	[e.]	1.47	3.08	3.15
Absolute sensitivity threshold	[e.]	1.97	3.58	3.65
Saturation capacity	[ke.]	10.08	25.53	25.96
Dynamic range	[dB]	74.17	77.06	77.03
MAX Signal-to-noise ratio	[dB]	40.15	44.09	44.18
Overall system gain	[e./DN]	0.17	0.44	0.44
Dark current	[e./s]	0.03	0.01	0.02
Dark current meas. temp.	[°C]	None	None	None
DSNU	[e.]	2.32	5.9	5.95
PRNU	[%]	0.87	0.82	0.85
Linearity error	[%]	0.28	0.18	2.21

Table 21: Image quality parameters of the specific models

Image quality parameters of:
MX610CR-SY-X4G3-FF

Mode		Low noise	High dynamic range	High sat. capacity
Sens.Bin. (Hor.x Ver.)	-	1 x 1	1 x 1	3 x 3
Sensor bit/px	[bit/px]	16	16	12
Parallel ADC	-	On	On	None
High gain	-	On	-	-
Shutter type	-	Rolling	Rolling	Rolling
Analog gain	[dB]	6.0	0.0	0.0
Parameters				
Temporal dark noise	[e.]	1.32	3.23	55.15
Absolute sensitivity threshold	[e.]	1.82	3.73	55.65
Saturation capacity	[ke.]	7.49	47.07	382.24
Dynamic range	[dB]	72.3	82.01	76.74
MAX Signal-to-noise ratio	[dB]	38.77	46.76	54.49
Overall system gain	[e./DN]	0.13	0.79	99.9
Dark current	[e./s]	0.56	0.71	3.2
Dark current meas. temp.	[°C]	35.0	36.8	33.7
DSNU	[e.]	0.28	0.58	9.31
PRNU	[%]	0.96	0.84	0.82
Linearity error	[%]	0.46	0.15	0.73

Table 22: Image quality parameters of the specific models

Image quality parameters of:
MX610MR-SY-X4G3-FF

Mode		Low noise	High dynamic range	High sat. capacity
Binning (H x V)	-	1 × 1	1 × 1	3 × 3
Sensor bit/px	[bit/px]	16	16	12
Parallel ADC	-	On	On	None
High gain	-	On	-	-
Shutter type	-	Rolling	Rolling	Rolling
Analog gain	[dB]	6.0	0.0	0.0
Parameters				
Temporal dark noise	[e.]	1.32	3.23	55.15
Absolute sensitivity threshold	[e.]	1.82	3.73	55.65
Saturation capacity	[ke.]	7.49	47.07	382.24
Dynamic range	[dB]	72.3	82.01	76.74
MAX Signal-to-noise ratio	[dB]	38.77	46.76	54.49
Overall system gain	[e./DN]	0.13	0.79	99.9
Dark current	[e./s]	0.56	0.71	3.2
Dark current meas. temp.	[°C]	35.0	36.8	33.7
DSNU	[e.]	0.28	0.58	9.31
PRNU	[%]	0.96	0.84	0.82
Linearity error	[%]	0.46	0.15	0.73

Table 23: Image quality parameters of the specific models

2.6.3 Sensor read-out modes

Note: Since the minimum and maximum exposure times depend on the sensor read-out mode used, we recommend checking the exposure range in the [Camera Model Frame Rate Calculator](#) of the specific model.

Sensor Read-out modes of:

MX1018CR-SY-X4G3-FF

MX1018MR-SY-X4G3-FF

Shutter type	Downsampling (Hor.x Ver.)	Parallel ADC	Sensor bit/px	Resolution (Wid x Hei)	Transport bit/px	Frame rate ¹
Rolling	1 x 1	-	12	11648 x 8742	12	8.7
Rolling	1 x 1	-	14	11648 x 8742	14	6.0
Rolling	1 x 1	-	16	11648 x 8742	16	2.8
Rolling	Bin.2 x 2	-	12	5824 x 4370	12	8.7
Rolling	Bin.2 x 2	-	14	5824 x 4370	14	6.0
Rolling	Bin.2 x 2	-	16	5824 x 4370	16	2.8
Rolling	Bin.3 x 3	-	12	3872 x 2912	12	27.8
Rolling	1 x 1	On	12	11648 x 8742	12	4.4
Rolling	1 x 1	On	14	11648 x 8742	14	3.0
Rolling	1 x 1	On	16	11648 x 8742	16	1.4
GRR	1 x 1	-	12	11648 x 8742	12	8.7
GRR	1 x 1	-	14	11648 x 8742	14	6.0
GRR	1 x 1	-	16	11648 x 8742	16	2.8
GRR	Bin.2 x 2	-	12	5824 x 4370	12	8.7
GRR	Bin.2 x 2	-	14	5824 x 4370	14	6.0
GRR	Bin.2 x 2	-	16	5824 x 4370	16	2.7
GRR	Bin.3 x 3	-	12	3872 x 2912	12	27.7
GRR	1 x 1	On	12	11648 x 8742	12	4.4
GRR	1 x 1	On	14	11648 x 8742	14	3.0
GRR	1 x 1	On	16	11648 x 8742	16	1.4

¹Frame rate was measured using the transport format at bandwidth limit 3500.0 MB/s

Table 24: Sensor read-out modes of the specific models

Sensor Read-out modes of:

MX1510CR-SY-X4G3-FF

MX1510MR-SY-X4G3-FF

Shutter type	Downsampling (Hor.x Ver.)	Parallel ADC	Sensor bit/px	Resolution (Wid x Hei)	Transport bit/px	Frame rate ¹
Rolling	1 x 1	-	12	14176 x 10640	12	6.2
Rolling	1 x 1	-	14	14176 x 10640	14	4.6
Rolling	1 x 1	-	16	14176 x 10640	16	2.0
Rolling	Bin.2 x 2	-	12	7072 x 5320	12	7.0
Rolling	Bin.2 x 2	-	14	7072 x 5320	14	4.6
Rolling	Bin.2 x 2	-	16	7072 x 5320	16	2.0
Rolling	Bin.3 x 3	-	12	4704 x 3544	12	20.8
Rolling	1 x 1	On	12	14176 x 10640	12	3.1
Rolling	1 x 1	On	14	14176 x 10640	14	2.3
Rolling	1 x 1	On	16	14176 x 10640	16	1.0
GRR	1 x 1	-	12	14176 x 10640	12	6.2
GRR	1 x 1	-	14	14176 x 10640	14	4.6
GRR	1 x 1	-	16	14176 x 10640	16	2.0
GRR	Bin.2 x 2	-	12	7072 x 5320	12	6.9
GRR	Bin.2 x 2	-	14	7072 x 5320	14	4.6
GRR	Bin.2 x 2	-	16	7072 x 5320	16	2.0
GRR	Bin.3 x 3	-	12	4704 x 3544	12	20.8
GRR	1 x 1	On	12	14176 x 10640	12	3.1
GRR	1 x 1	On	14	14176 x 10640	14	2.3
GRR	1 x 1	On	16	14176 x 10640	16	1.0

¹Frame rate was measured using the transport format at bandwidth limit 3500.0 MB/s

Table 25: Sensor read-out modes of the specific models

Sensor Read-out modes of:
MX2457CR-SY-X4G3-FF

Shutter type	Downsampling (Hor.x Ver.)	Multiple ADC	Sensor bit/px	Resolution (Wid x Hei)	Transport bit/px	Frame rate ¹
Rolling	1 x 1	None	16	19200 x 12800	16	5.3
Rolling	1 x 1	None	14	19200 x 12800	14	7.4
Rolling	1 x 1	None	12	19200 x 12800	12	8.6
Rolling	1 x 1	None	10	19200 x 12800	10	10.0
Rolling	Bin.2 x 2	None	16	9600 x 6400	16	5.3
Rolling	Bin.2 x 2	None	14	9600 x 6400	14	10.5
Rolling	Bin.2 x 2	None	12	9600 x 6400	12	12.4
Rolling	Bin.2 x 2	None	16	9600 x 6392	16	20.8
Rolling	Bin.2 x 2	None	14	9600 x 6392	14	27.3
Rolling	Bin.2 x 2	None	12	9600 x 6392	12	31.4
Rolling	Bin.2 x 2	None	10	9600 x 6392	10	36.1
Rolling	1 x 1	x2	16	19200 x 12800	16	3.1
Rolling	1 x 1	x2	14	19200 x 12800	14	6.9
Rolling	1 x 1	x2	12	19200 x 12800	12	8.0
Rolling	1 x 1	x2	10	19200 x 12800	10	8.0
Rolling	1 x 1	x4	16	19200 x 12800	16	1.7
Rolling	1 x 1	x4	14	19200 x 12800	14	4.0
Rolling	1 x 1	x4	12	19200 x 12800	12	4.7
Rolling	1 x 1	x4	10	19200 x 12800	10	4.7
GRR	1 x 1	None	16	19200 x 12800	16	5.3
GRR	1 x 1	None	14	19200 x 12800	14	7.3
GRR	1 x 1	None	12	19200 x 12800	12	8.5
GRR	1 x 1	None	10	19200 x 12800	10	9.9
GRR	Bin.2 x 2	None	16	9600 x 6400	16	5.3
GRR	Bin.2 x 2	None	14	9600 x 6400	14	10.4
GRR	Bin.2 x 2	None	12	9600 x 6400	12	12.2
GRR	Bin.2 x 2	None	16	9600 x 6392	16	20.3
GRR	Bin.2 x 2	None	14	9600 x 6392	14	26.4
GRR	Bin.2 x 2	None	12	9600 x 6392	12	30.3
GRR	Bin.2 x 2	None	10	9600 x 6392	10	34.7
GRR	1 x 1	x2	16	19200 x 12800	16	3.1
GRR	1 x 1	x2	14	19200 x 12800	14	6.8
GRR	1 x 1	x2	12	19200 x 12800	12	8.0
GRR	1 x 1	x2	10	19200 x 12800	10	8.0
GRR	1 x 1	x4	16	19200 x 12800	16	1.7
GRR	1 x 1	x4	14	19200 x 12800	14	4.0
GRR	1 x 1	x4	12	19200 x 12800	12	4.7
GRR	1 x 1	x4	10	19200 x 12800	10	4.7

¹Frame rate was measured using the transport format at bandwidth limit 3500.0 MB/s

Table 26: Sensor read-out modes of the specific models

Sensor Read-out modes of:
MX2457MR-SY-X4G3-FF

Shutter type	Downsampling (H x V)	Multiple ADC	Sensor bit/px	Resolution (W x H)	Transport bit/px	Frame rate ¹
Rolling	1 x 1	None	16	19200 x 12800	16	5.3
Rolling	1 x 1	None	14	19200 x 12800	14	7.4
Rolling	1 x 1	None	12	19200 x 12800	12	8.6
Rolling	1 x 1	None	10	19200 x 12800	10	10.0
Rolling	Bin.2 x 2	None	16	9600 x 6400	16	5.3
Rolling	Bin.2 x 2	None	14	9600 x 6400	14	10.5
Rolling	Bin.2 x 2	None	12	9600 x 6400	12	12.4
Rolling	Bin.2 x 2	None	16	9600 x 6392	16	20.8
Rolling	Bin.2 x 2	None	14	9600 x 6392	14	27.3
Rolling	Bin.2 x 2	None	12	9600 x 6392	12	31.4
Rolling	Bin.2 x 2	None	10	9600 x 6392	10	36.1
Rolling	1 x 1	x2	16	19200 x 12800	16	3.1
Rolling	1 x 1	x2	14	19200 x 12800	14	6.9
Rolling	1 x 1	x2	12	19200 x 12800	12	8.0
Rolling	1 x 1	x2	10	19200 x 12800	10	8.0
Rolling	1 x 1	x4	16	19200 x 12800	16	1.7
Rolling	1 x 1	x4	14	19200 x 12800	14	4.0
Rolling	1 x 1	x4	12	19200 x 12800	12	4.7
Rolling	1 x 1	x4	10	19200 x 12800	10	4.7
GRR	1 x 1	None	16	19200 x 12800	16	5.3
GRR	1 x 1	None	14	19200 x 12800	14	7.3
GRR	1 x 1	None	12	19200 x 12800	12	8.5
GRR	1 x 1	None	10	19200 x 12800	10	9.9
GRR	Bin.2 x 2	None	16	9600 x 6400	16	5.3
GRR	Bin.2 x 2	None	14	9600 x 6400	14	10.4
GRR	Bin.2 x 2	None	12	9600 x 6400	12	12.2
GRR	Bin.2 x 2	None	16	9600 x 6392	16	20.4
GRR	Bin.2 x 2	None	14	9600 x 6392	14	26.5
GRR	Bin.2 x 2	None	12	9600 x 6392	12	30.4
GRR	Bin.2 x 2	None	10	9600 x 6392	10	34.7
GRR	1 x 1	x2	16	19200 x 12800	16	3.1
GRR	1 x 1	x2	14	19200 x 12800	14	6.8
GRR	1 x 1	x2	12	19200 x 12800	12	8.0
GRR	1 x 1	x2	10	19200 x 12800	10	8.0
GRR	1 x 1	x4	16	19200 x 12800	16	1.7
GRR	1 x 1	x4	14	19200 x 12800	14	4.0
GRR	1 x 1	x4	12	19200 x 12800	12	4.7
GRR	1 x 1	x4	10	19200 x 12800	10	4.7

¹Frame rate was measured using the transport format at bandwidth limit 3500.0 MB/s

Table 27: Sensor read-out modes of the specific models

Sensor Read-out modes of:

MX610CR-SY-X4G3-FF

MX610MR-SY-X4G3-FF

Shutter type	Downsampling (Hor.x Ver.)	Parallel ADC	Sensor bit/px	Resolution (Wid x Hei)	Transport bit/px	Frame rate ¹
Rolling	1 x 1	-	12	9568 x 6380	12	17.9
Rolling	Bin.2 x 2	-	12	4768 x 3188	12	38.5
Rolling	Bin.3 x 3	-	12	3168 x 2124	12	57.5
Rolling	1 x 1	-	14	9568 x 6380	14	10.0
Rolling	1 x 1	-	16	9568 x 6380	16	4.0
Rolling	1 x 1	On	12	9568 x 6380	12	9.4
Rolling	1 x 1	On	14	9568 x 6380	14	5.0
Rolling	1 x 1	On	16	9568 x 6380	16	2.0
GRR	1 x 1	-	12	9568 x 6380	12	17.9
GRR	1 x 1	-	14	9568 x 6380	14	10.0
GRR	1 x 1	-	16	9568 x 6380	16	4.0
GRR	1 x 1	On	12	9568 x 6380	12	9.4
GRR	1 x 1	On	14	9568 x 6380	14	5.0
GRR	1 x 1	On	16	9568 x 6380	16	2.0

¹Frame rate was measured using the transport format at bandwidth limit 3500.0 MB/s

Table 28: Sensor read-out modes of the specific models

2.6.4 Quantum efficiency curves

Quantum efficiency curves for:

MX1018CR-SY-X4G3-FF

MX1018MR-SY-X4G3-FF

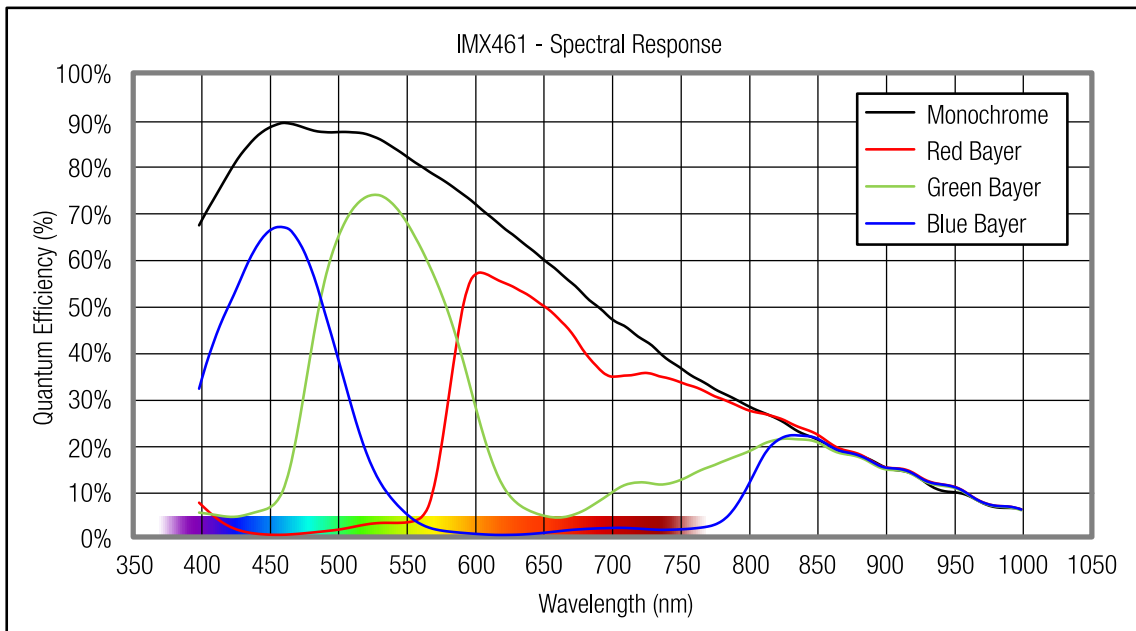


Figure 19: Graph quantum efficiency of Sony IMX461

Quantum efficiency curves for:

MX1510CR-SY-X4G3-FF

MX1510MR-SY-X4G3-FF

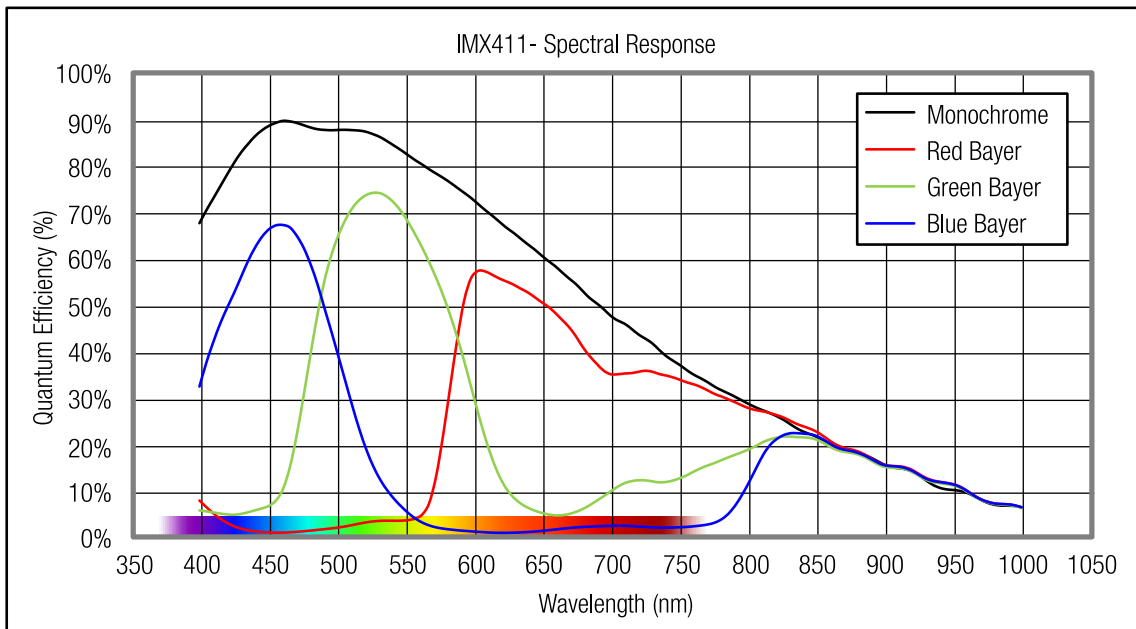


Figure 20: Graph quantum efficiency of Sony IMX411

Quantum efficiency curves for:

MX2457CR-SY-X4G3-FF

MX2457MR-SY-X4G3-FF

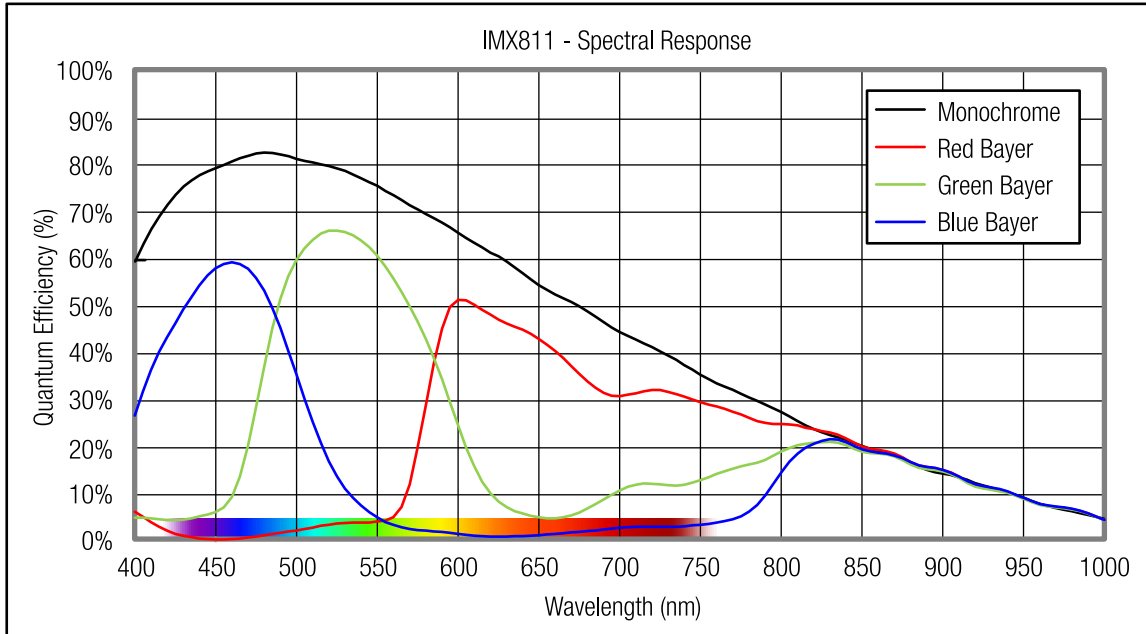


Figure 21: Graph quantum efficiency of Sony IMX811

Quantum efficiency curves for:

MX610CR-SY-X4G3-FF

MX610MR-SY-X4G3-FF

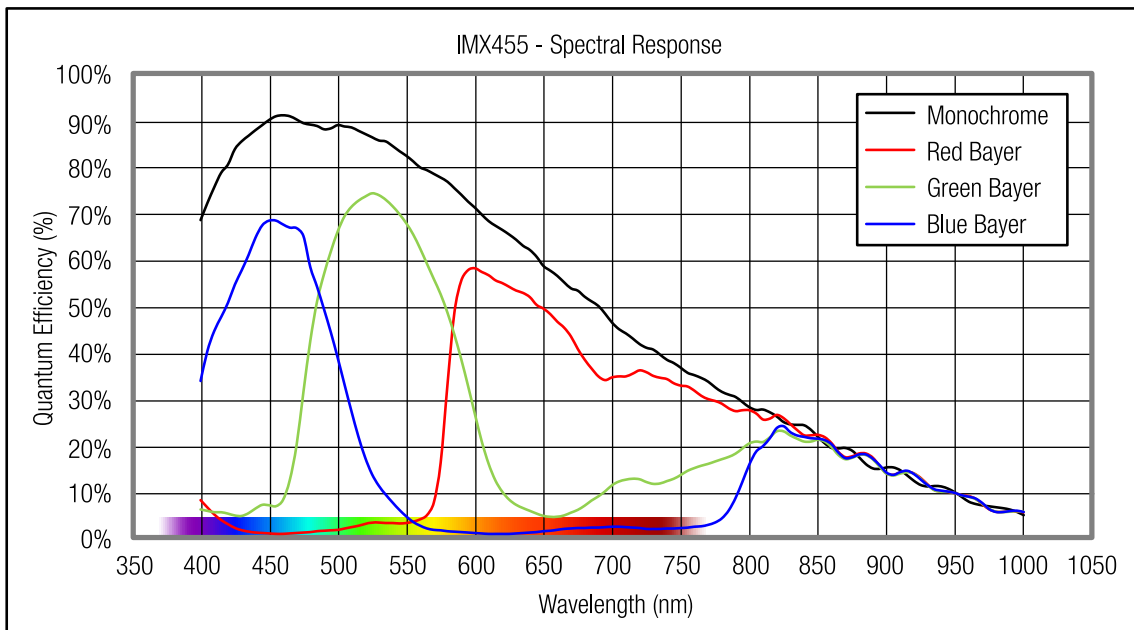


Figure 22: Graph quantum efficiency of Sony IMX455

2.7 Mechanical characteristics

2.7.1 Dimensions and mass

Dimensions and mass of:
MX1018CR-SY-X4G3-FF

MX1018MR-SY-X4G3-FF

Width [W]	Height [H]	Depth [D]	Mass ¹ [M]
80 mm	80 mm	45.1 mm	490 g

¹without adapters

Table 29: Camera parameters of the specific models

Dimensions and mass of:
MX1510CR-SY-X4G3-FF

MX1510MR-SY-X4G3-FF

Width [W]	Height [H]	Depth [D]	Mass ¹ [M]
80 mm	80 mm	45.1 mm	455 g

¹without adapters

Table 30: Camera parameters of the specific models

Dimensions and mass of:
MX2457CR-SY-X4G3-FF

MX2457MR-SY-X4G3-FF

Width [W]	Height [H]	Depth [D]	Mass ¹ [M]
80 mm	80 mm	46.2 mm	600 g

¹without adapters

Table 31: Camera parameters of the specific models

Dimensions and mass of:
MX610CR-SY-X4G3-FF

MX610MR-SY-X4G3-FF

Width [W]	Height [H]	Depth [D]	Mass ¹ [M]
70 mm	60 mm	48.6 mm	345 g

¹without adapters

Table 32: Camera parameters of the specific models

2.7.2 Dimensional drawings

Dimensional drawings of:
MX1018CR-SY-X4G3-FF

MX1018MR-SY-X4G3-FF

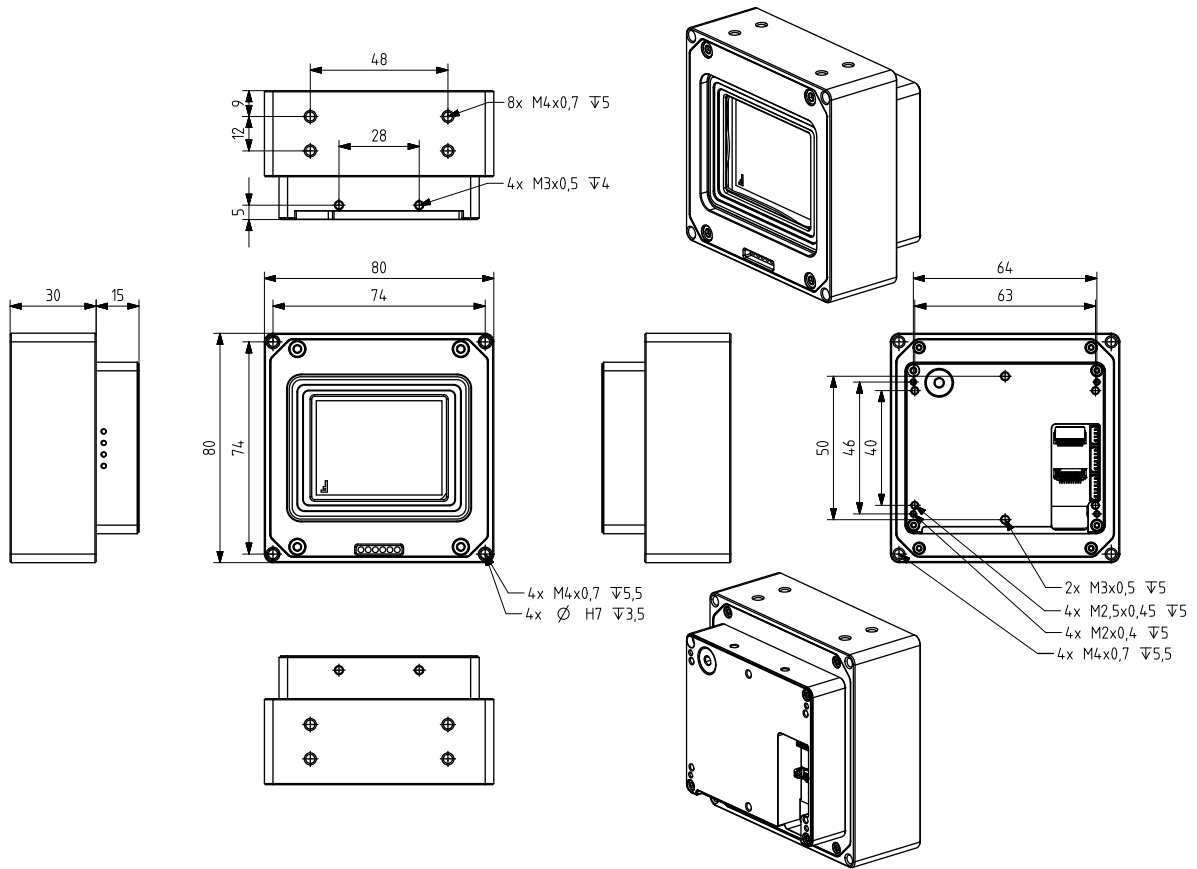


Figure 23: Dimensional drawing of MX1018xR-SY-X4G3-FF

Dimensional drawings of:
MX1510CR-SY-X4G3-FF

MX1510MR-SY-X4G3-FF

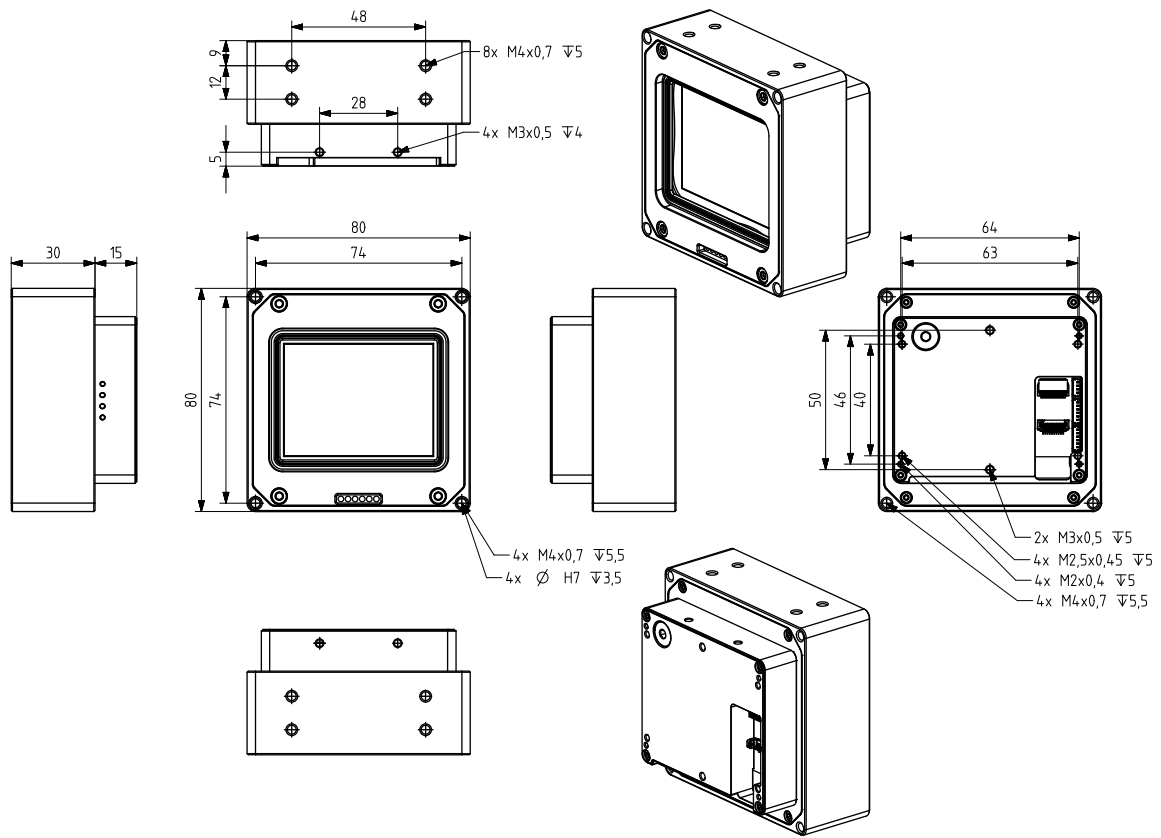


Figure 24: Dimensional drawing of MX1510xR-SY-X4G3-FF

Dimensional drawings of:
MX2457CR-SY-X4G3-FF

MX2457MR-SY-X4G3-FF

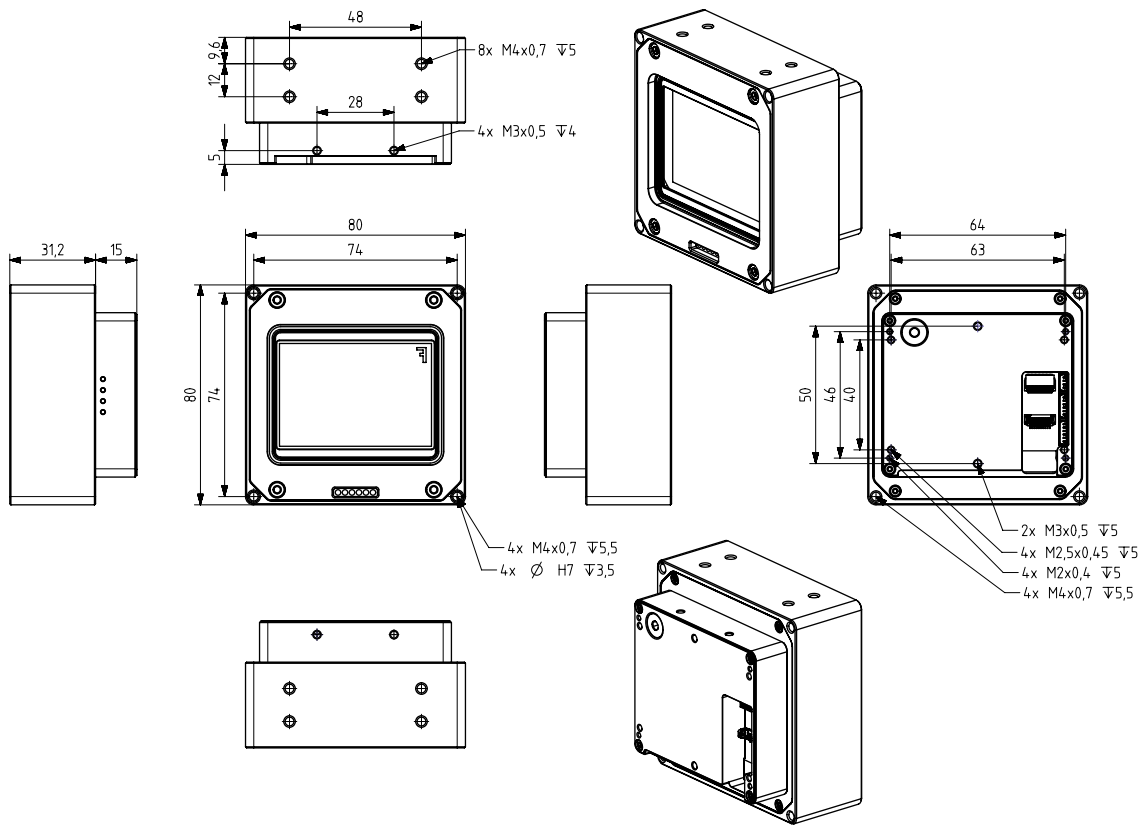


Figure 25: Dimensional drawing of MX2457xR-SY-X4G3-FF

Dimensional drawings of:
MX610CR-SY-X4G3-FF

MX610MR-SY-X4G3-FF

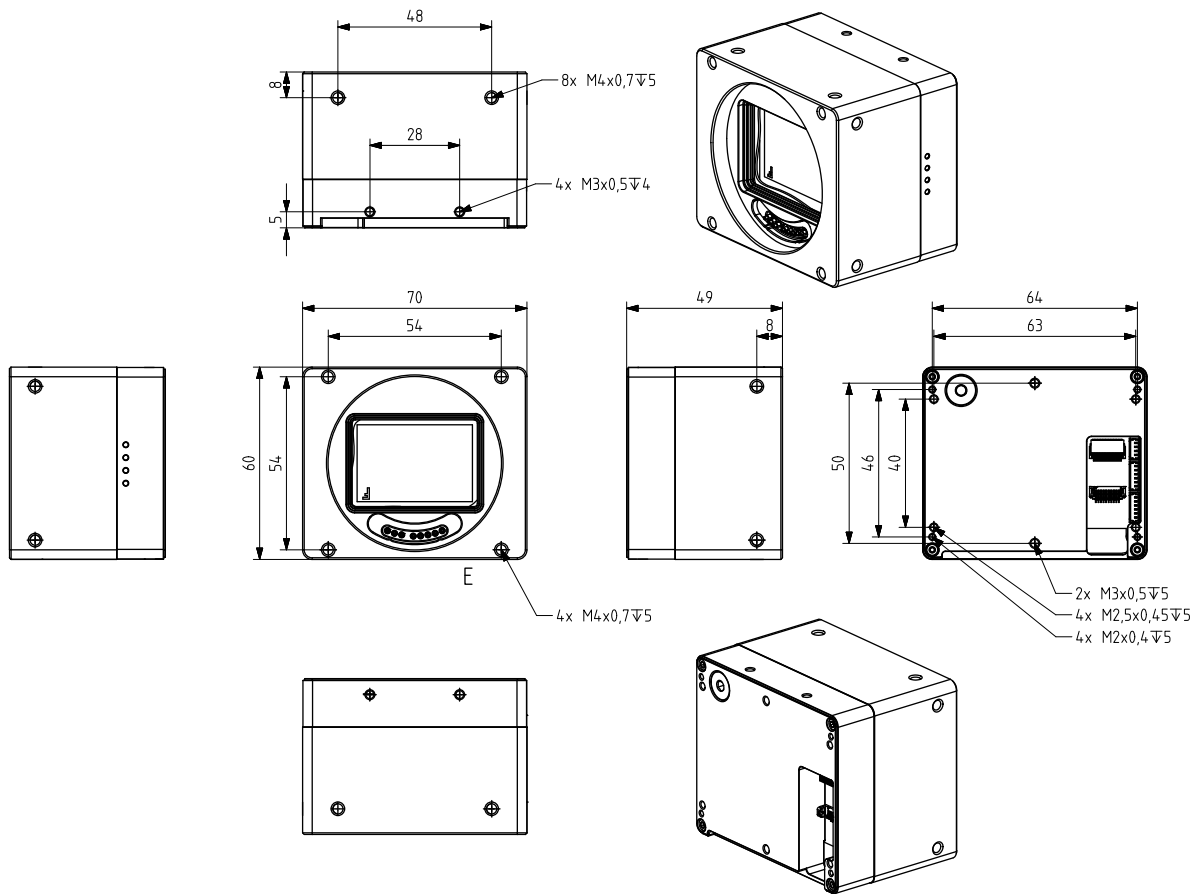


Figure 26: Dimensional drawing of MX610xR-SY-X4G3-FF

Dimensional drawings of:
MX1018CR-SY-X4G3-FF

MX1018MR-SY-X4G3-FF

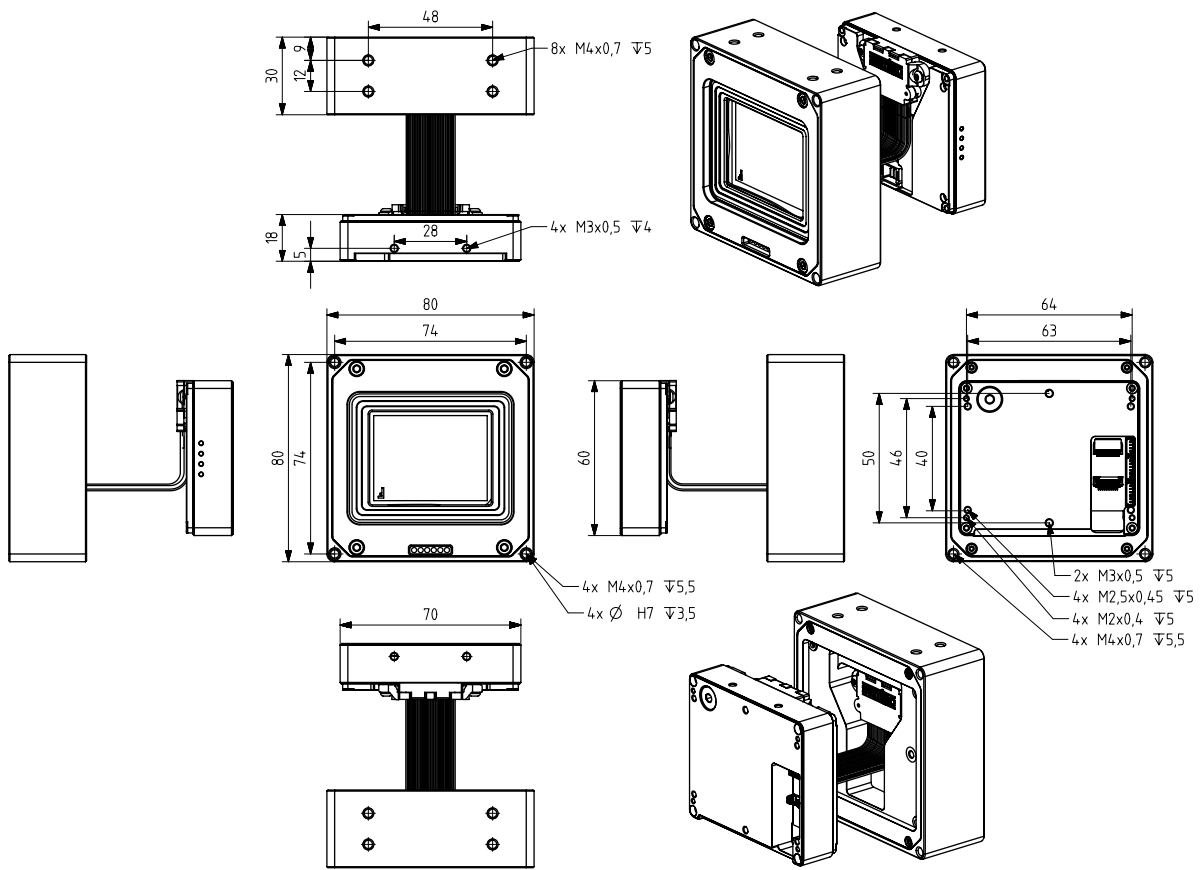


Figure 27: Dimensional drawing of MX1018xR-SY-X4G3-FF with detached sensor sub-assembly

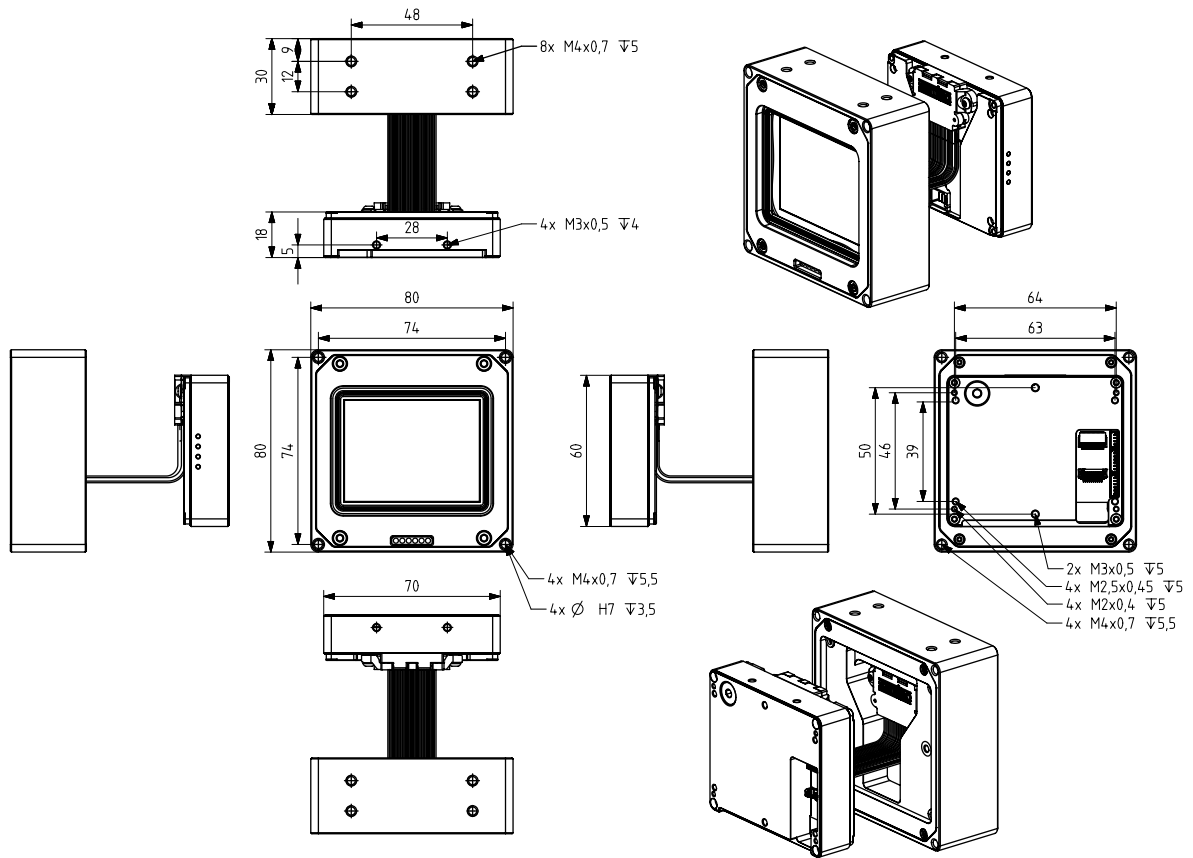


Figure 28: Dimensional drawing of MX1510xR-SY-X4G3-FF with detached sensor sub-assembly

Dimensional drawings of:
MX2457CR-SY-X4G3-FF

MX2457MR-SY-X4G3-FF

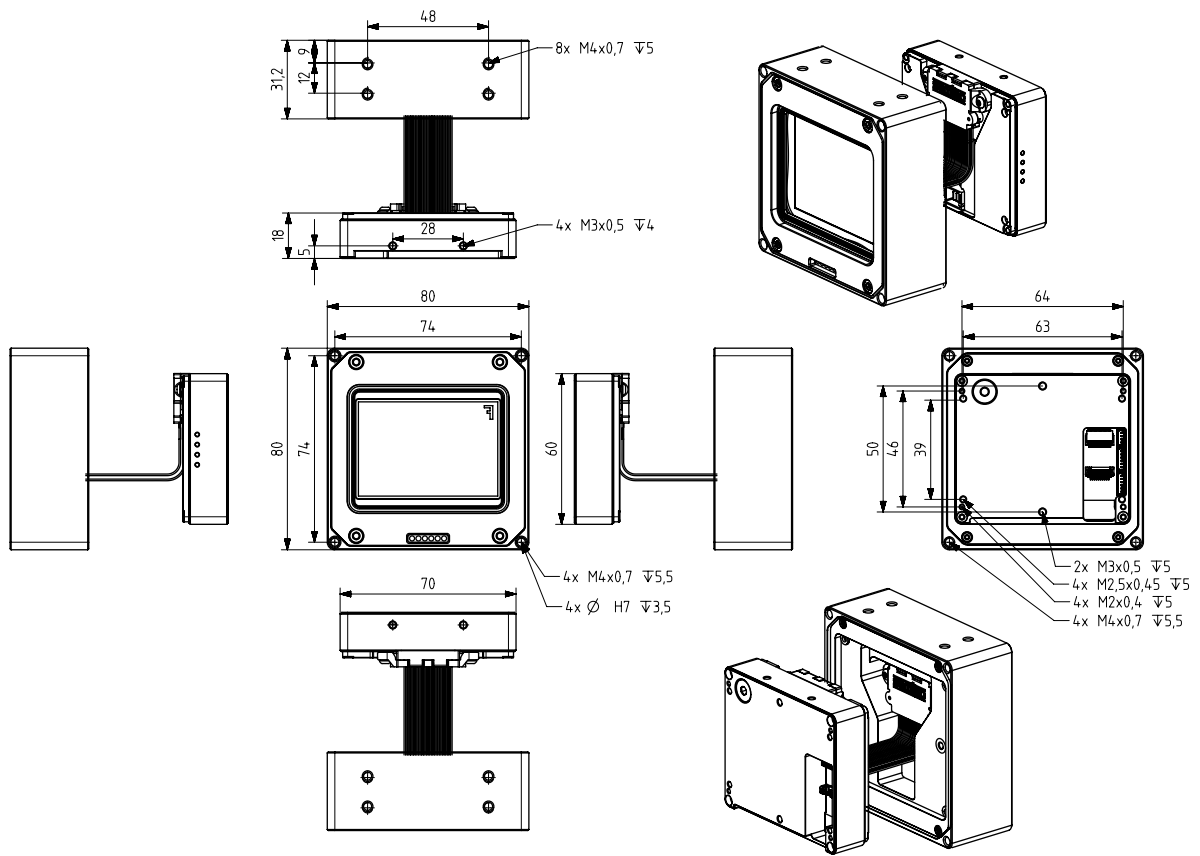


Figure 29: Dimensional drawing of MX2457xR-SY-X4G3-FF with detached sensor sub-assembly

Dimensional drawings of:
MX610CR-SY-X4G3-FF

MX610MR-SY-X4G3-FF

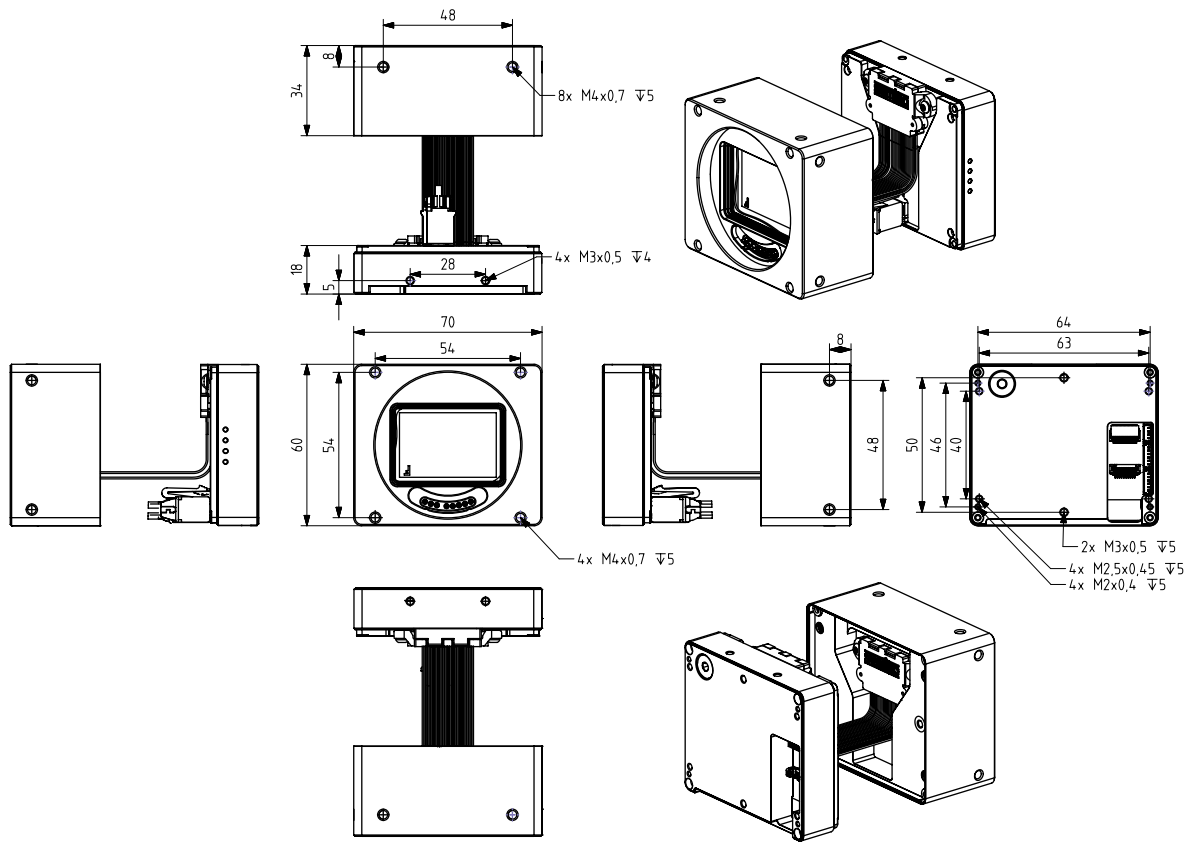


Figure 30: Dimensional drawing of MX610xR-SY-X4G3-FF with detached sensor sub-assembly

2.8 User interface – LEDs

LED	Color	Defaults	Note
1	Green	PCIe Lanes	User configurable
2	Red	PCIe Clock Present	User configurable
3	Blue	PCIe Clock Present	User configurable
4	Orange	PCIe Link Speed	User configurable

Table 33: LED output description during camera power up

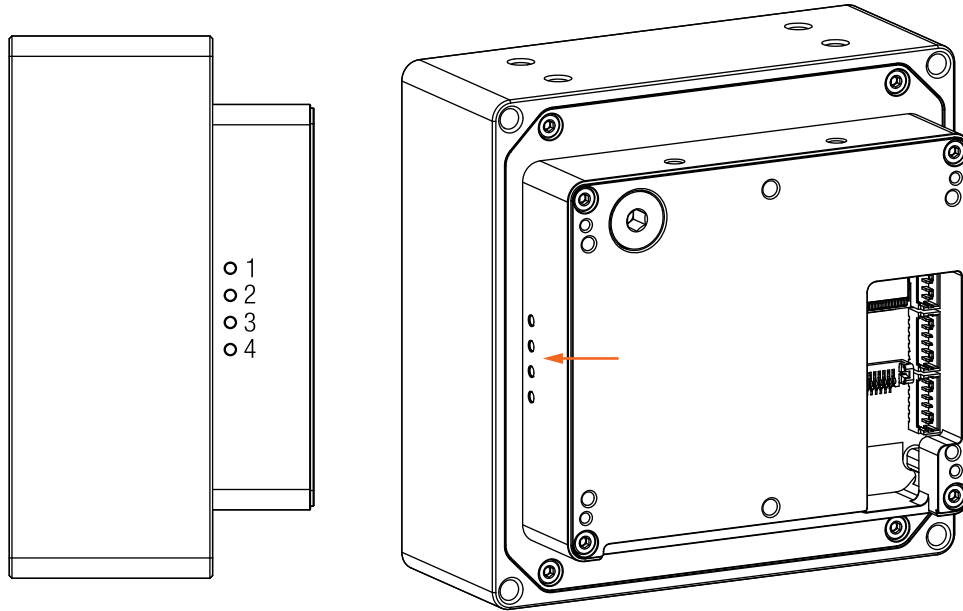


Figure 31: Position of LEDs on xiX-XL camera

LED statuses during boot sequence of:
all models in this manual (refer to the table [Models and sensors overview](#))

Status	LED 1	LED 2	LED 3	LED 4
Off	Off	Off	Off	Off
Power	On	Off	Off	Off
Camera booted, no PCIe connection	Off	Off	On	On
Recovery firmware loaded ¹	flash	flash	flash	flash
PCIe connected X4 Gen3	On	flash	flash	On
PCIe connected (X2 or X1) Gen3	flash	flash	flash	On

¹To identify, if the recovery firmware is loaded, please start xiCOP. See [XIMEA control panel](#)

Table 34: LED statuses during boot sequence

2.9 Camera interface

NOTE: It is important that the power is turned off when inserting/detaching the cable. General ESD precautions need to be applied. Failing this requirement may lead to camera damage.

The following section applies to:
all models in this manual (refer to the table [Models and sensors overview](#))

2.9.1 PCIe / FireFly interface

The interface connector is used for data transmission, camera control, power and IO (see section [Digital inputs / outputs \(GPIO\) interface](#) for IO connector pinout description). To prevent camera damage, always ensure the power is turned off before inserting or detaching the cable. For cameras with the [ADPT-MX-X4G3-FF-X4G3-MTP](#) or [ADPT-MX-X4G3-FF-X4G3-SFF](#) adapter, refer to the appropriate adapter section.

Item	Value
Connector	Samtec (UEC5-019-1-H-D-RA-1-A + UCC8-010-1-H-S-1-A)
Signals	PCIe 4 Gen3; Power input; Optoisolated IO
Mating Connectors	Samtec ECUE, PCUO

Table 35: Firefly interface mating connector description

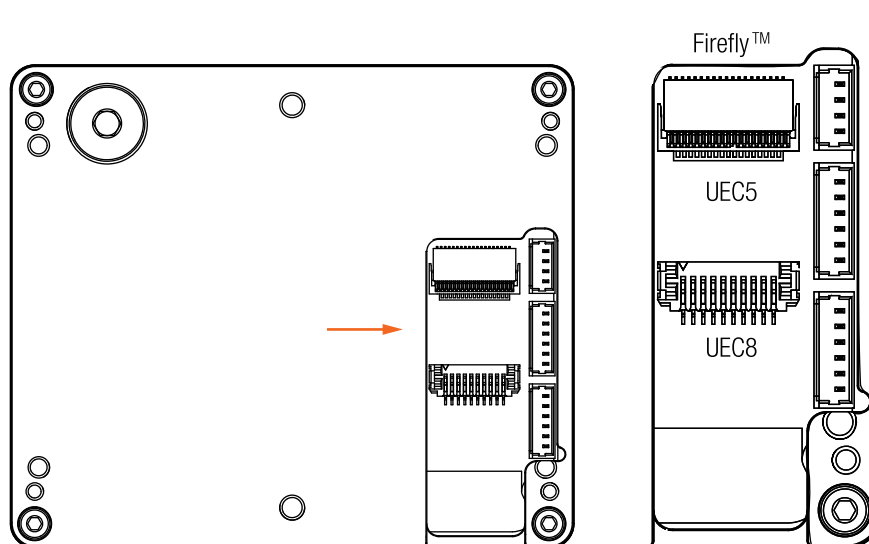


Figure 32: PCIe / FireFly connector location

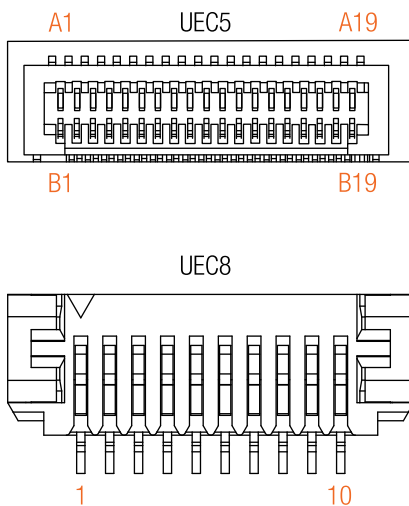


Figure 33: PCIe / FireFly connector pinout

Pin	Name	Type
1	VCC_TX	Power output
2	GND	Ground
3	NC	None
4	NC	None
5	PCIe_RST0_N_IN	PCIe reset
6	NC	None
7	NC	None
8	NC	None
9	GND	Ground
10	VCC_RX	Power output

Table 36: FireFly UEC8 connector pin assignment

Pin	Name	Type	Pin	Name	Type
A1	GND	Signal and power ground	B1	GND	Signal and power ground
A2	PCle_PETN_2	PCle TX differential pair 2	B2	PCle_PETN_3	PCle TX differential pair 3
A3	PCle_PETP_2	PCle TX differential pair 2	B3	PCle_PETP_3	PCle TX differential pair 3
A4	GND	Signal and power ground	B4	GND	Signal and power ground
A5	PCle_PETN_1	PCle TX differential pair 1	B5	PCle_PETN_0	PCle TX differential pair 0
A6	PCle_PETP_1	PCle TX differential pair 1	B6	PCle_PETP_0	PCle TX differential pair 0
A7	GND	Signal and power ground	B7	GND	Signal and power ground
A8	IN1	Optically isolated Digital Input (IN)	B8	OUT1	Optically isolated Digital Output (OUT)
A9	IN1_GND	Ground for opto-isolated Input 1	B9	OUT1_GND	Ground for opto-isolated Output 1
A10	GND	Signal and power ground	B10	GND	Signal and power ground
A11	PCle_RST0_N_IN	PCle reset	B11	PWR	Power input
A12	NC	None	B12	PWR	Power input
A13	GND	Signal and power ground	B13	GND	Signal and power ground
A14	PCle_PERP_2	PCle RX differential pair 2	B14	PCle_PERN_3	PCle RX differential pair 3
A15	PCle_PERN_2	PCle RX differential pair 2	B15	PCle_PERP_3	PCle RX differential pair 3
A16	GND	Signal and power ground	B16	GND	Signal and power ground
A17	PCle_PERP_1	PCle RX differential pair 1	B17	PCle_PERN_0	PCle RX differential pair 0
A18	PCle_PERN_1	PCle RX differential pair 1	B18	PCle_PERP_0	PCle RX differential pair 0
A19	GND	Signal and power ground	B19	GND	Signal and power ground

Table 37: FireFly UEC5 connector pin assignment

2.10 Digital inputs / outputs (GPIO) interface

The description of the GPIO interface below applies to:
all models in this manual (refer to the table [Models and sensors overview](#))

Pin	Name	GPI/GPO index API	Type
Pinout FireFly UEC5 connector			
A8	IN1	1/-	Optically isolated Digital Input (IN)
B8	OUT1	-/1	Optically isolated Digital Output (OUT)

Table 38: Firefly connector I/O pin assignment

Connector	Signals	Mating Connectors
4 pin Pico Blade	AUX power input	Molex 0510210400
6 pin Pico Blade	Optically isolated IO	Molex 0510210600
6 pin Pico Blade	Non isolated IO	Molex 0510210600

Table 39: GPIO mating connector description

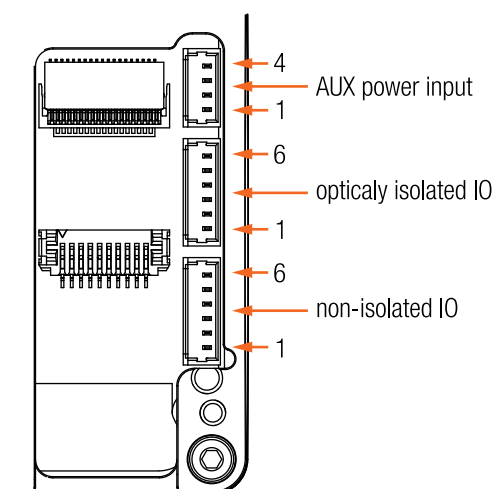


Figure 34: IO connectors position

Pin	Name	Type
AUX power input pin assignment		
1	GND	Power ground
2	PWR_IN	Power input
3	PWR_IN	Power input
4	GND	Power ground

Table 40: Power connector pin assignment

Pin	Name	GPI/GPO index API	Type
Optically isolated IO pin assignment			
1	IN1	1/-	Optically isolated Digital Input (IN)
2	IN_GND	None	Common pole for optically isolated inputs
3	IN2	2/-	Optically isolated Digital Input (IN)
4	OUT1	-/1	Optically isolated Digital Output (OUT)
5	OUT_GND	None	Common pole for optically isolated outputs
6	OUT2	-/2	Optically isolated Digital Output (OUT)
Non-isolated IO pin assignment			
1	INOUT1	3/3	Non-isolated digital lines - Digital Input-Output (INOUT)
2	GND	None	Common pole for non-isolated IO (same as power GND)
3	INOUT2	4/4	Non-isolated digital lines - Digital Input-Output (INOUT)
4	INOUT3	5/5	Non-isolated digital lines - Digital Input-Output (INOUT)
5	GND	None	Common pole for non-isolated IO (same as power GND)
6	INOUT4	6/6	Non-isolated digital lines - Digital Input-Output (INOUT)

Table 41: I/O connector pin assignment

2.10.1 Optically isolated Digital Input (IN)

The description of optically isolated digital input below applies to:
all models in this manual (refer to the table [Models and sensors overview](#))

Item	Parameter	Note
Maximal input voltage	24 V DC	None
Common pole	YES	IN GND
Effect of incorrect input terminal connection	Reverse voltage polarity protected	None
Effects when withdrawing/inserting input module under power	no damage, no lost data	None
Maximal recommended cable length	10m	None
Input Level for logical 0	Voltage < 1.2 V / Current < 0.3 mA	None
Input Level for logical 1	Voltage > 3.3 V / Current > 1 mA	None
Input debounce filter	No	None
Input delay - rising edge	0.1 μ s	VINPUT=10 V,TAMBIENT=25 °C
Input delay - falling edge	5 μ s	VINPUT=10 V,TAMBIENT=25 °C
External trigger mapping	YES	None
Input functions	Trigger	Rising or falling edge are supported for trigger

Table 42: General info for optically isolated digital input

2.10.2 Optically isolated Digital Output (OUT)

The description of optically isolated digital output below applies to: all models in this manual (refer to the table [Models and sensors overview](#))

Item	Parameter	Note
Maximal open circuit voltage	24 V DC	None
Output port type	Open collector NPN	None
Common pole	YES	OUT GND
Protection	short-circuit / over-current / Reverse voltage	None
Protection circuit	PTC Resettable Fuse	None
Maximal sink current	36 mA	None
Trip current	71 mA	Self-restarting when failure mode current disconnected
Inductive loads	NO	None
Effect of incorrect output terminal connection	Protected against reverse voltage connection	None
Maximal output dropout	1 V	Sink current 25 mA
Output delay - ON -> OFF	26 μ s	VOUTPUT=10 V,TAMBIENT=25 °C
Output delay - OFF -> ON	1.5 μ s	VOUTPUT=10 V,TAMBIENT=25 °C
Strobe output mapping	YES	None

Table 43: General info for optically isolated digital output

2.10.3 Non-isolated digital lines - Digital Input-Output (INOUT)

The description of non-isolated digital lines below applies to:
all models in this manual (refer to the table [Models and sensors overview](#))

Item	Parameter	Note
Maximal input voltage	24 V DC	None
Common pole	YES	None
Effect of incorrect input terminal connection	Reverse voltage polarity protected	None
Effects when withdrawing/inserting input module under power	no damage, no lost data	None
Protection	short-circuit / over-current / Reverse voltage	None
Maximal output sink current	30 μ A	Maximal advised load = 60 k Ω
Inductive loads	NO	None
Output Level logical 0	< 0.4 V	Load 100 k Ω
Output Level logical 1	> 2.5 V	Load 100 k Ω
Output delay - rising edge	400 ns	Load 100 k Ω threshold 2 V
Output delay - falling edge	450 ns	Load 100 k Ω threshold 0.5 V
Input Impedance- minimum	15 k Ω	None
Input Level for logical 0	< 0.7 V	None
Input Level for logical 1	> 2.4 V	None
Input debounce filter	NO	None
Input delay - rising edge	750 ns	VINPUT=5 V
Input delay - falling edge	1200 ns	VINPUT=5 V
Input functions	Trigger	Rising or falling edge are supported for trigger
Output functions	NO	Signal inversion supported

Table 44: General info for non-isolated digital in/out trigger lines

2.11 Accessories

2.11.1 CBL-PB4-PWR-0M15

Power cable with barrel connector 15 cm long.



Figure 35: CBL-PB4-PWR-0M15

Manufacturer	Model	Description
Molex	86053120	4 pin Pico Blade connector
NINIGI	PC-GP2.1N	Barrel connector 5.5/2.1

Table 45: CBL-PB4-PWR-0M15 description

2.11.2 CBL-PB6-PT-0M30

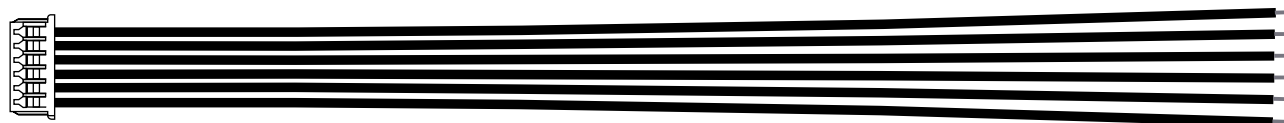


Figure 36: CBL-PB6-PT-0M30

IO pig tail cable 30 cm long.

Manufacturer	Model	Description
Molex	2181120603	6 pin Pico Blade connector

Table 46: CBL-PB6-PT-0M30 description

2.11.3 CBL-ECUE-X4G3-1M0/2M0/3M0

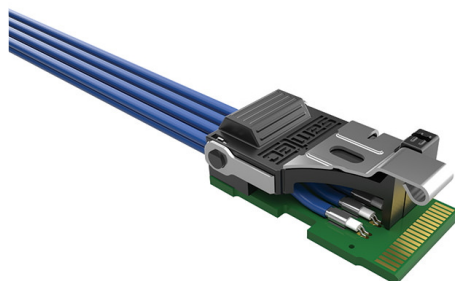


Figure 37: CBL-ECUE-X4G3-1M0

The FireFly copper cables are bidirectional and flexible. PCIe Gen3 x4 lanes with 14 Gbps. Both sides are equipped with locking mechanism. Please check the [Accessories overview](#) for supported lengths of the FireFly cables.

Cameras can be connected to host via cable with FireFly connector. The EMI/EMC performance should be evaluated by customer. For connecting to different host via vast range of adapters, please see our website [Cameras Adapters](#)

2.11.4 HQCD Cable



Figure 38: X4G3 cameras with HQCD cable

The xiX X4G3 camera models from **xiX-XL** and **xiX-Xtreme** camera families feature a detachable rear sub-assembly option.

This innovative housing concept with detachable sensor head optimizes heat dissipation to improve the image quality and simplify integration into tight spaces. The sensor head is connected to the rear sub-assembly using an HQCD cable.

See table below for the supported HQCD cable lengths.



Figure 39: HQCD cable

Cable PN	Description
HQCD-030-06.00-STR-TTL-1B	Highspeed Coaxial HQCD cable, 6 inch - 15 cm length, screw mount both ends
HQCD-030-20.00-STR-TTL-1B	Highspeed Coaxial HQCD cable, 20 inch - 50 cm length, screw mount both ends
HQCD-030-40.00-STR-TTL-1B	Highspeed Coaxial HQCD cable, 40 inch - 100 cm length, screw mount both ends
HQCD-030-80.00-STR-TTL-1B	Highspeed Coaxial HQCD cable, 80 inch - 200 cm length, screw mount both ends

Table 47: HQCD cable - available lengths

Note: Detaching the rear sub-assembly is not a standard customer procedure. Please take care not to damage the camera, cables, or related components during detaching or reattaching of the rear sub-assembly. If you require the camera with the rear sub-assembly detached, please contact our [XIMEA support team](#).

Detaching rear sub-assembly

If you intend to detach the camera rear sub-assembly yourself, follow the steps below to ensure correct handling:

- Step 1.** Locate the M2 screws on the back side of the rear sub-assembly.
- Step 2.** Remove the M2 screws and set them aside.
- Step 3.** Carefully pull the rear sub-assembly straight away from the camera housing.

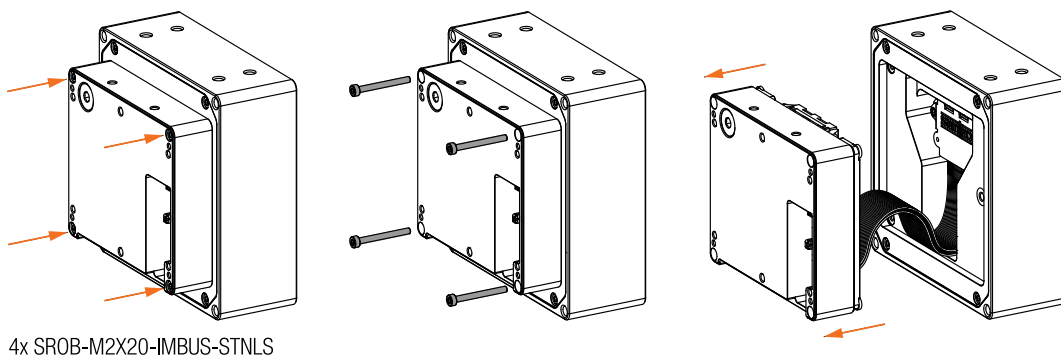


Figure 40: Detaching rear sub-assembly

ATTENTION: ESD rings are located on the inner side of the mounting holes. These rings may become loose or fall out when the sub-assembly is removed. Collect all four ESD rings and M2 screws, and store them in a safe place for future re-installation.

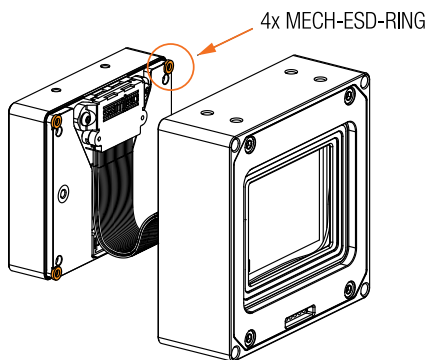


Figure 41: ESD rings

Note: If your camera is equipped with a water / air cooler kit module (CB-X8G3-WAT-COOLER-KIT or CB-X8G3-FAN-COOLER-KIT), you must remove it first.

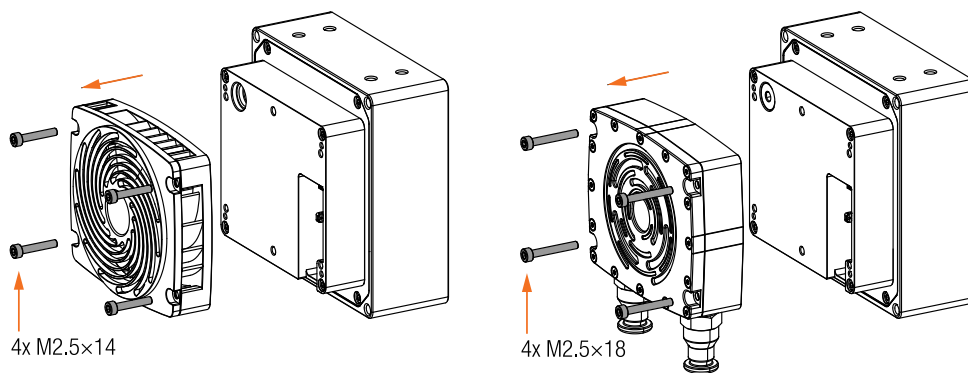


Figure 42: Detaching heatsink

ATTENTION: When removing or inserting the fan assembly, it's important to be careful not to damage the spring pins that connect the cooling unit to the camera electronics, see image below.

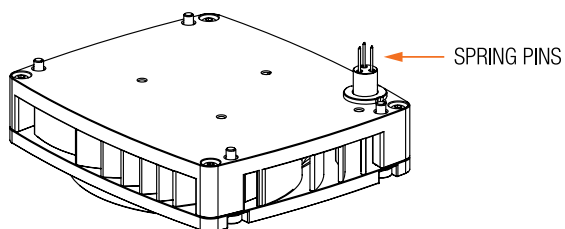


Figure 43: CB-X8G3-FAN-COOLER-KIT spring pins

2.11.5 CB-X8G3-FAN-COOLER



Figure 44: CB-X8G3-FAN-COOLER

The camera needs to have proper cooling to ensure optimal performance. A fan cooling element can be included with the camera. This fan module is designed to provide air cooling for the camera and can be mounted on the backside of the camera.

To attach or detach the fan module, you will need a hex 2.0 screwdriver and four M2.5x14 screws. When removing or inserting the fan assembly, it's important to be careful not to damage the spring pins that connect the cooling unit to the camera electronics.

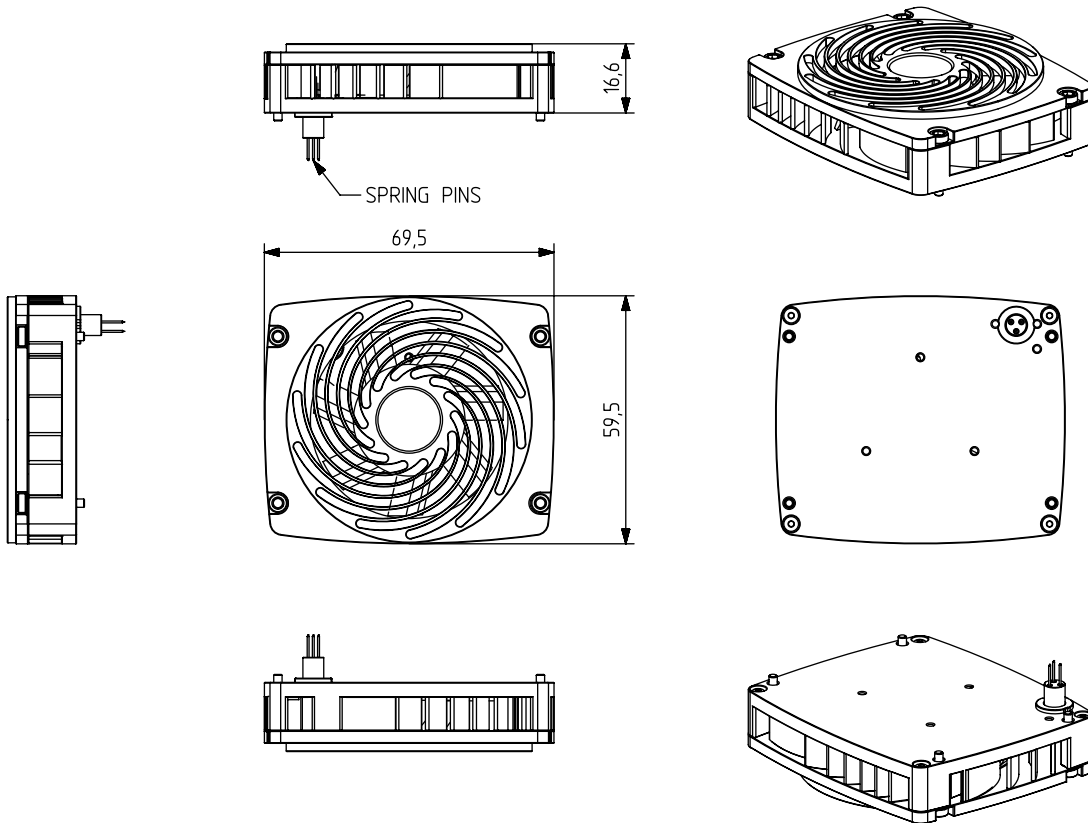


Figure 45: Dimensional drawing of CB-X8G3-FAN-COOLER

Width [W]	Height [H]	Depth [D]	Mass [M]
60 mm	70 mm	17 mm	20 g

Table 48: Mechanical parameters of CB-X8G3-FAN-COOLER

2.11.6 CB-X8G3-WAT-COOLER-KIT

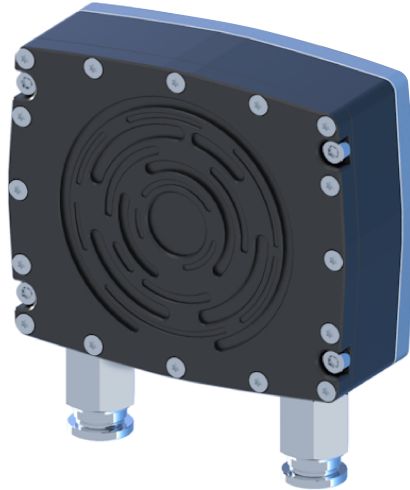


Figure 46: CB-X8G3-WAT-COOLER

A heatsink water cooler from anodized aluminum with a screws kit is available for X8G3/X4G3 cameras. This water cooling option is designed to prevent vibrations and can be conveniently mounted on the backside of the camera.

- 1 SSC6 - M5 quick coupler with airtight washer for 6 mm tubes (water rated)
- 2 6061 aluminum housing with optimized water flow and cooling abilities
- 3 airtight sealing (tested at 10 bars)
- 4 M 2.5 x 18 screws for mounting cooler

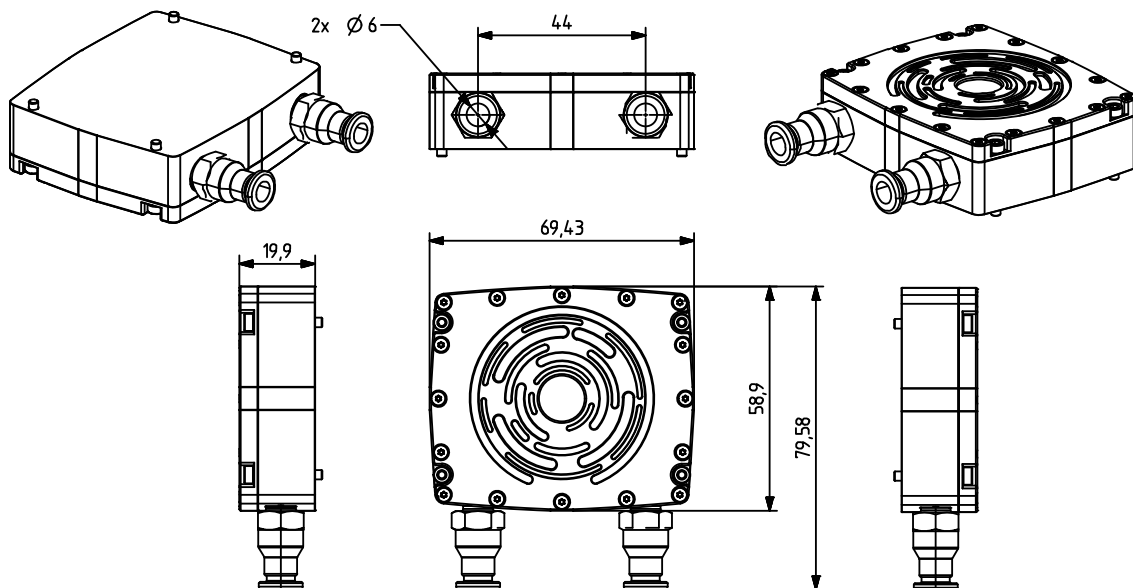


Figure 47: Dimensional drawing of CB-X8G3-WAT-COOLER-KIT

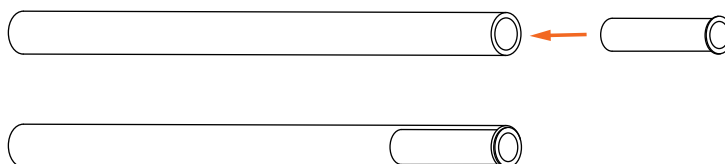
Connecting and disconnecting the tubes

There are various 6 mm OD tubes available from multiple manufacturers that can be used with the camera. It is recommended to consult the websites of the push-in fitting manufacturer for a list of compatible tubes and specific tube specifications necessary to ensure a leak-free connection. Adherence to their provided installation instructions is crucial. Always conduct a leak inspection after making tube connections. XIMEA disclaims any liability for damages resulting from improper installation. Following these guidelines correctly is vital for protecting your equipment and ensuring its peak performance.

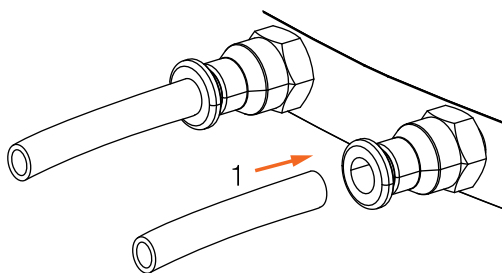
XIMEA has conducted tests and endorses the use of PISCO brand tubes (part number UCQ06-2F-20-C) along with insert rings (part number WR0640) for creating secure and leak-proof connections. The recommended procedure for connecting and disconnecting tubes is as follows

Connecting

- Begin by inserting the insert rings into the tubes.



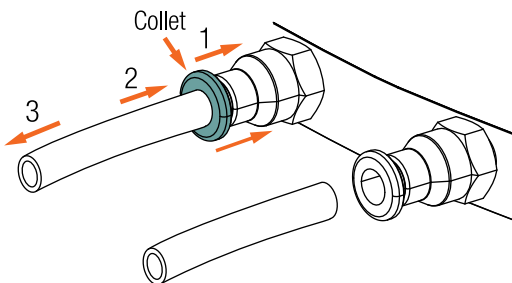
- Ensure the camera is powered off. Then, insert the tube into the Push-In Fitting until it is fully seated. The collet/release ring will automatically secure the tube, and the elastic sleeve will form a seal around it.



- Gently pull on the tube to verify it is securely fixed and cannot be removed easily.
- Start water supply and inspect for any leaks.
- If no leaks are detected, it is safe to power on the camera.

Disconnecting

- Turn off the camera and halt the water supply.
- Press the collet (release ring) towards the fitting (Step 1).
- While keeping the collet pressed, gently push the tube further into the fitting (Step 2), then pull it out to disconnect (Step 3).



2.11.7 MECH-60MM-BRACKET-T

Bracket is made of solid high quality anodized aluminum. All threads are milled and all edges chamfered. Use 2x M4 screws provided with bracket as a kit for mounting. Bracket can be mounted on the bottom or side of the camera (depending on the camera model).

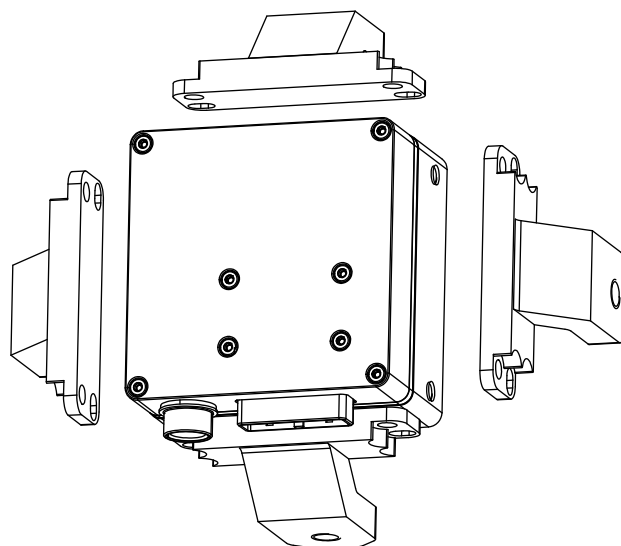


Figure 48: MECH-60MM-BRACKET-T

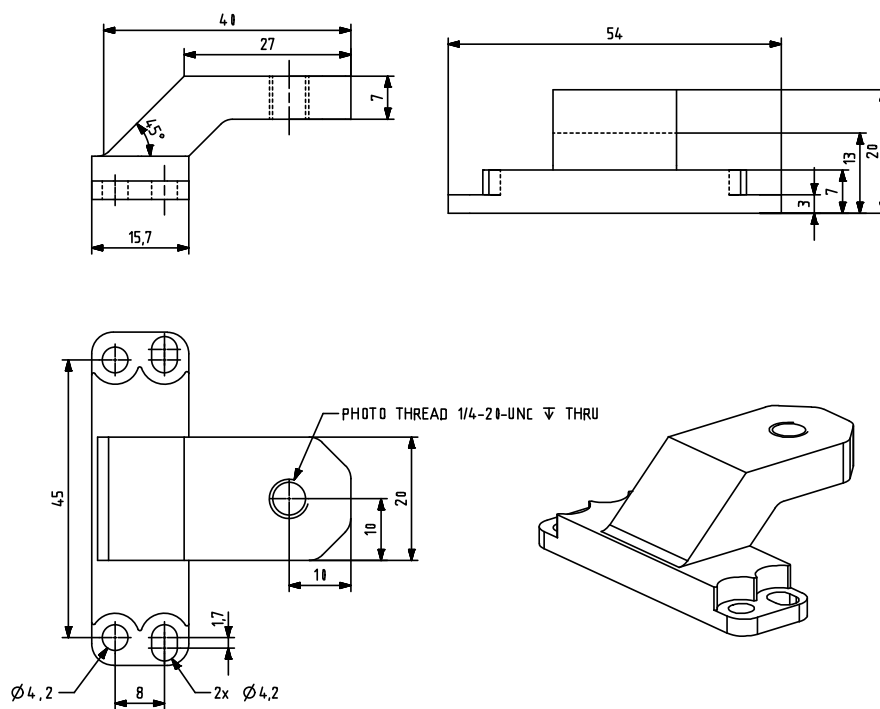


Figure 49: Dimensional drawing of MECH-60MM-BRACKET-T

Width [W]	Height [H]	Depth [D]	Mass [M]
54 mm	20 mm	40 mm	20 g

Table 49: Parameters of MECH-60MM-BRACKET-T

2.11.8 MECH-60MM-EF-ADAPTER

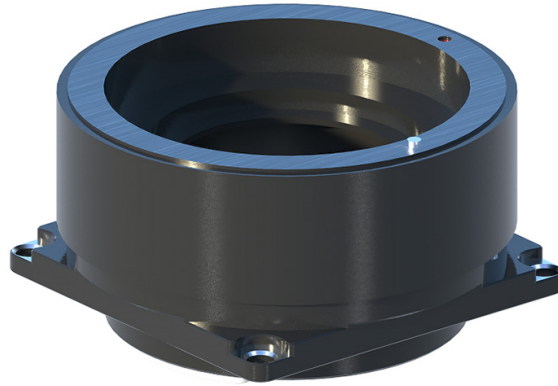


Figure 50: MECH-60MM-EF-ADAPTER

Cameras feature an active control interface for lenses with a CANON EF-mount. Integration of such lenses requires the MECH-60MMEF-ADAPTER, which securely attaches to the camera using four front mount holes. The necessary screws are included in the MECH-60MM-EF-ADAPTER-KIT, available for purchase from XIMEA. Additionally, the camera can be assembled with this adapter during production if requested along with the camera order (A-MECH-60MM-EF-ADAPTER-KIT).

Note: To be used with standard Canon Mount Lenses. Use 4x M4x6 or standard M4 screws for attaching the camera. The nominal flange focal distance from the front of the adapter to the active area in the sensor is 44.00 mm + / - 0.2 mm.

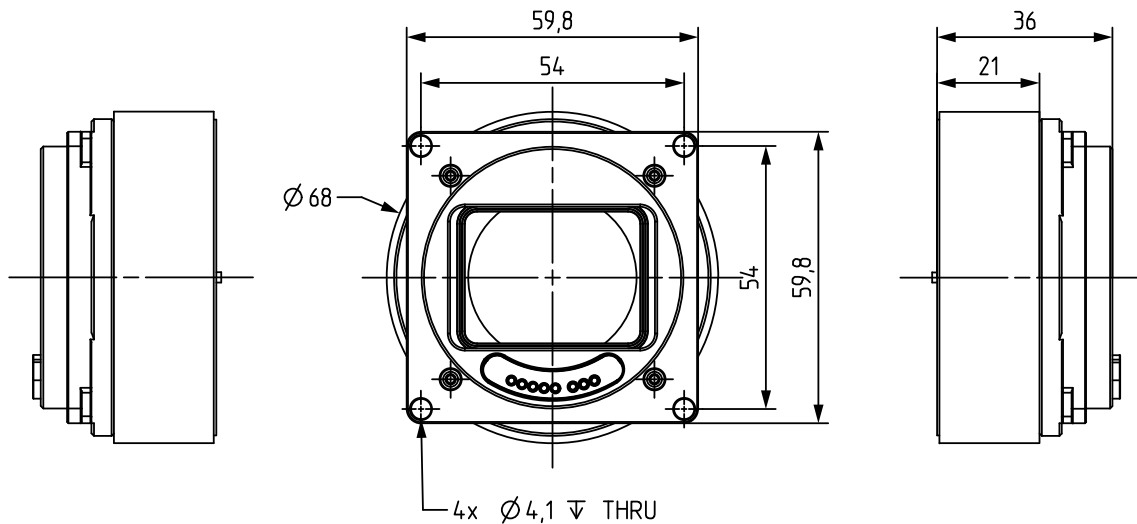


Figure 51: Dimensional drawing of MECH-60MM-EF-ADAPTER

Width [W]	Height [H]	Depth [D]	Mass [M]	Material
80 mm	80 mm	12.25 mm	30 g	Machined aluminum alloy ¹

¹anodized to black color

Table 50: Mechanical parameters of MECH-60MM-EF-ADAPTER

2.11.9 LA-C-MNT-60MM-xxx-KIT

The C-mount lens adapter can be assembled during production if the operation is ordered along with the camera (A-LA-C-MNT-60MM-KIT). The mechanical dimensions of the LA-C-MNT-60MM-KIT are designed for the use of filter glass with a thickness of 1 mm and a refraction index of 1.4-1.55. Without the filter glass, the correct optical flange focal distance is not achieved.

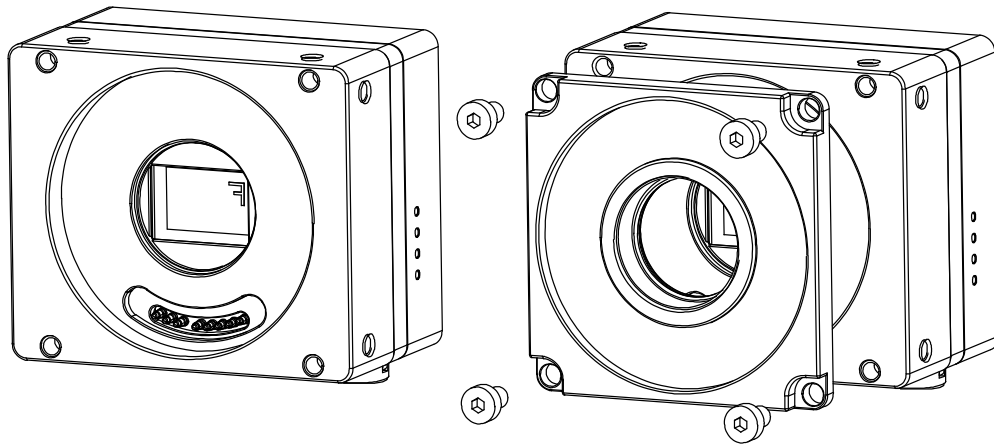


Figure 52: Camera without and with C-mount LA-C-MNT-60MM-KIT lens adapter

2.11.10 ME-LA-80MM-M72-L-KIT

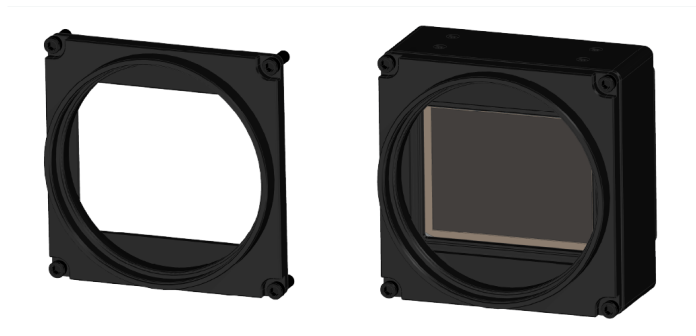


Figure 53: Lens adapter / camera with ME-LA-80MM-M72-L-KIT lens adapter

M72 Lens Adapter for 80 × 80 mm front camera element. The adapter is mounted to the camera using 4 M4x10 screws.

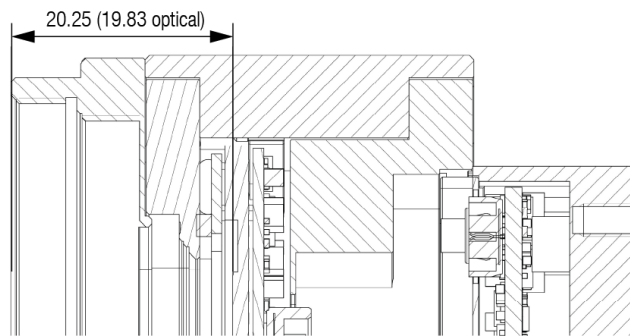


Figure 54: ME-LA-80MM-M72-L optical path

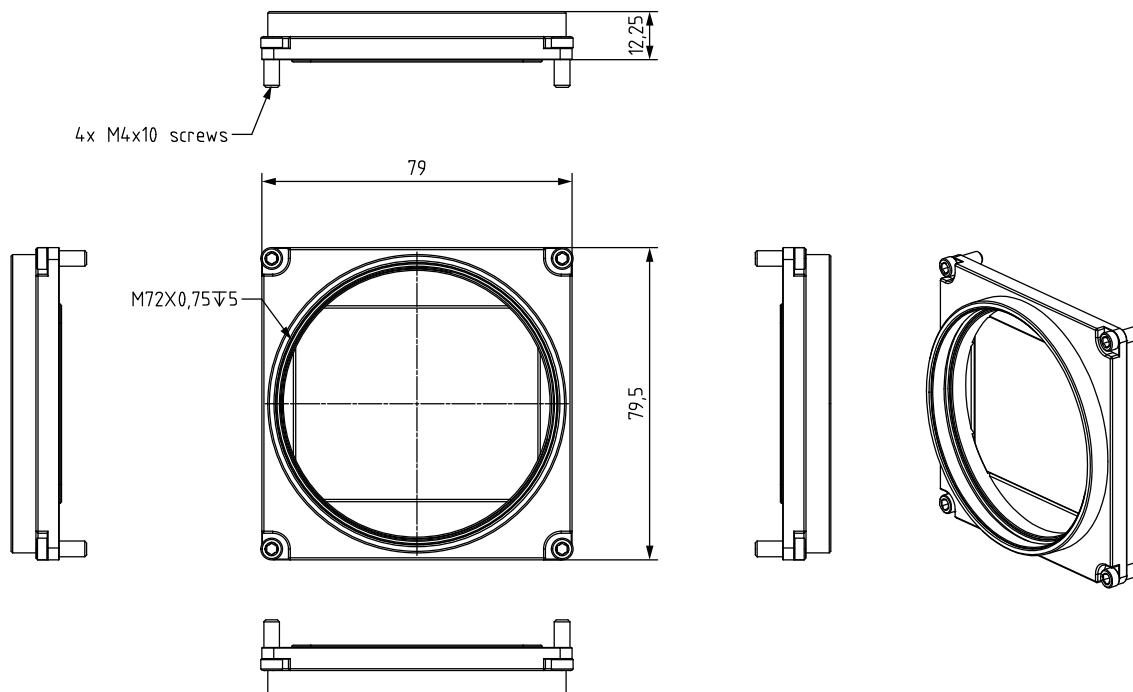


Figure 55: Dimensional drawing of ME-LA-80MM-M72-L

2.11.11 ADPT-MX-X4G3-FF-X4G3-MTP



Back part attachment to connect XIMEA Firefly cameras to MTP cable. Converts 1x PCIe Gen3 x4 camera. The camera adapter also offers power and IO connectors for synchronization and triggering.

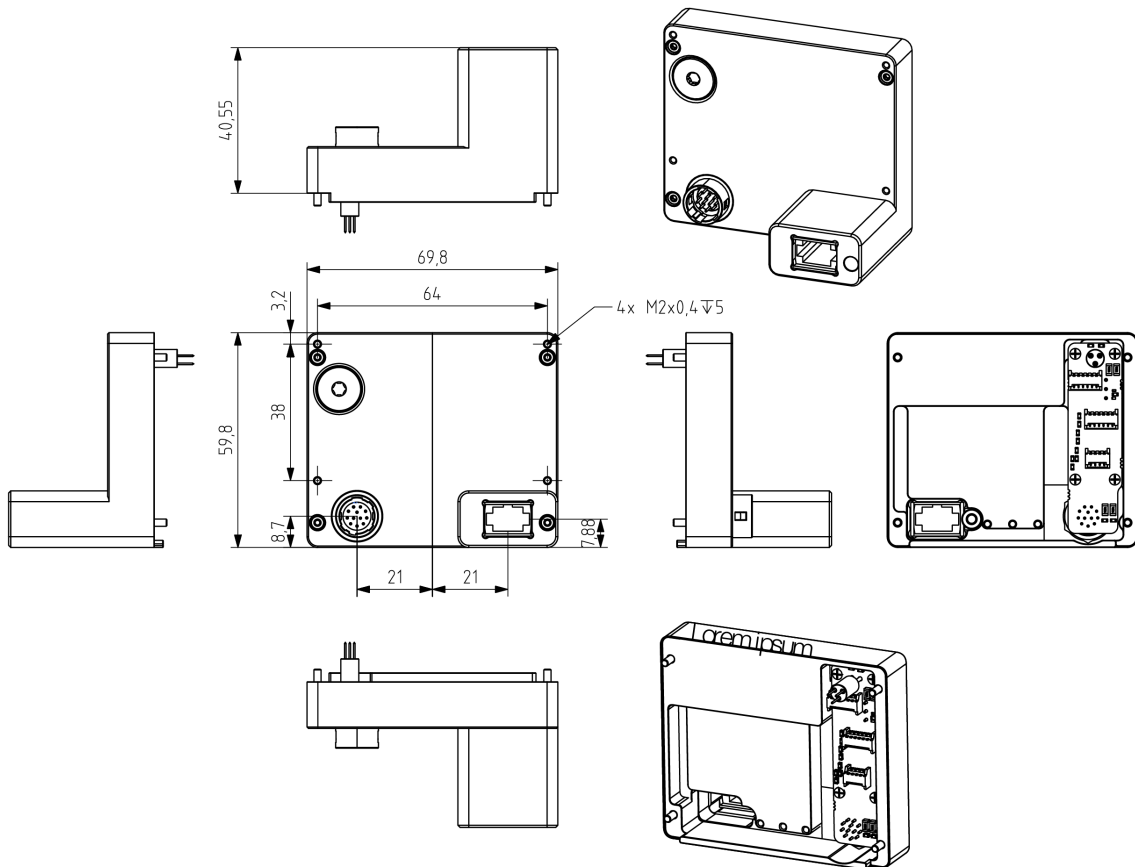


Figure 56: ADPT-MX-X4G3-FF-X4G3-MTP dimensional drawing

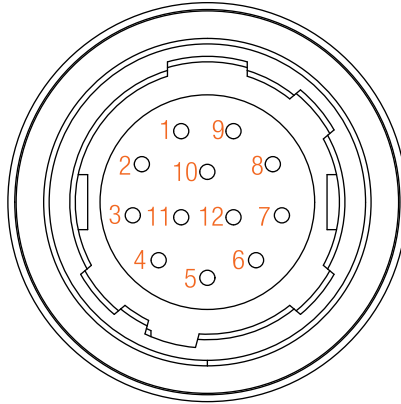


Figure 57: ADPT-MX-X4G3-FF-X4G3-MTP IO connector

The IO pins of the adapter are connected to the corresponding IO pins on the FireFly camera, based on their names.

Pin	Name	Signal
1	IN2	Opto-isolated Input 2
2	IN1	Opto-isolated Input 1
3	OUT2	Opto-isolated Output 2
4	OUT1	Opto-isolated Output 1
5	AUX PWR	Power supply input
6	GND	External grounds for power and non-isolated I/O
7	INOUT1	Non-isolated I/O
8	INOUT3	Non-isolated I/O
9	INOUT2	Non-isolated I/O
10	IN GND	Ground for Opto-Isolated Inputs (IN1, IN2)
11	OUT GND	Ground for Opto-Isolated Out (OUT1, OUT2)
12	INOUT4	Non-isolated I/O

Table 51: ADPT-MX-X4G3-FF-X4G3-MTP IO pin assignment

ADPT-MX-MTP-FAN-COOLER

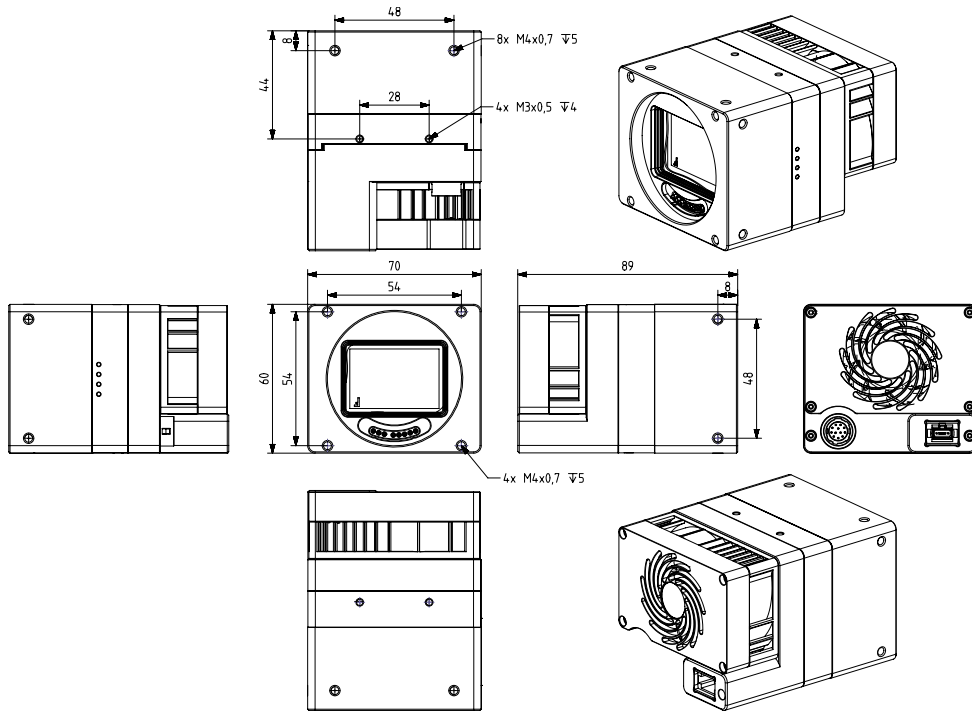


Figure 58: MX610xR-SY-X4G3-FF with MTP adapter and fan cooling

ADPT-MX-MTP-WAT-COOLER

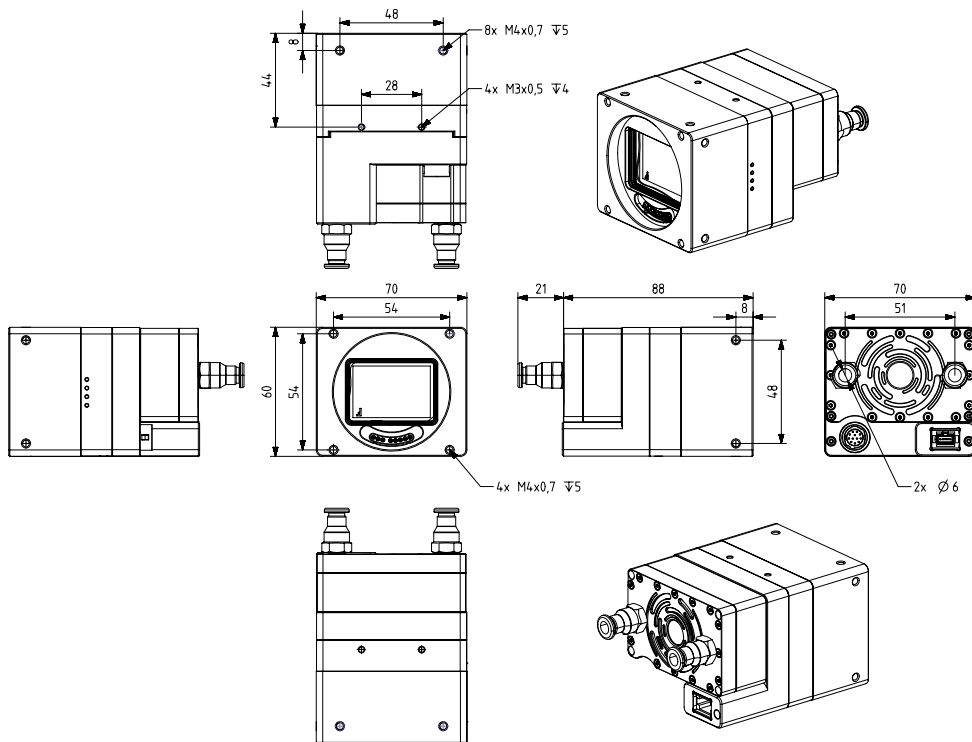


Figure 59: MX610xR-SY-X4G3-FF with MTP adapter and water cooling

2.11.12 CBL-MT-PWR-SYNC-3M0

The following is a description of the sync/power cable.

Get the latest information on available accessories at: [PCI Express Cameras](#)

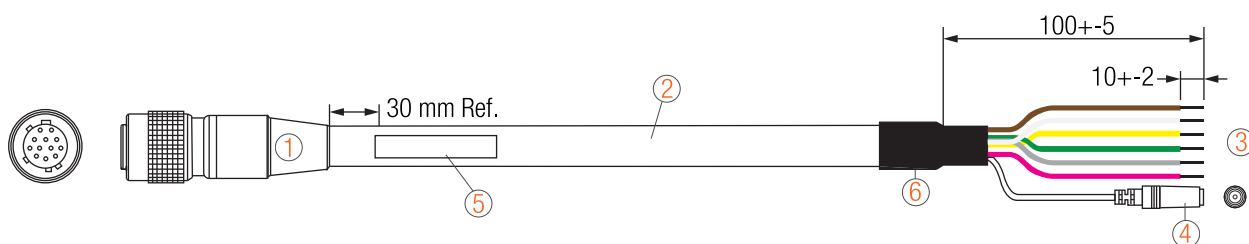


Figure 60: CBL-MT-PWR-SYNC-3M0 drawing

sync + power cable, components

- 1 Series60 Female Circular Plug 60-01-1112 IO <BLK>
- 2 TBAUL20276 4STP#28 + 4C#28 + 2C#24 [OD=6.80mm] <BLK>
- 3 Process end with wire end stripped and tin soldered
- 4 DC power in socket female (OD5.5/ID2.1) <BLK>
- 5 Cable label
- 6 Heat shrinkable tube

Pin	1	2	3	4	5	6	7	8	9	10	11	12
Signal	IN2	IN1	OUT2	OUT1	AUX PWR	GND	INOUT1	INOUT3	INOUT2	IN GND	OUT GND	INOUT4

Table 52: CBL-MT-POWER-SYNC-3M0 pin assignment

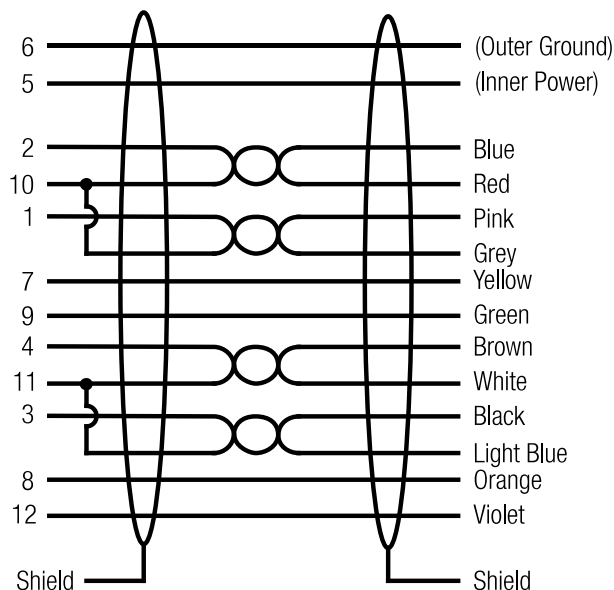


Figure 61: Wiring diagram of the CBL-MT-POWER-SYNC-3M0

2.11.13 ADPT-MX-X4G3-FF-X4G3-SFF

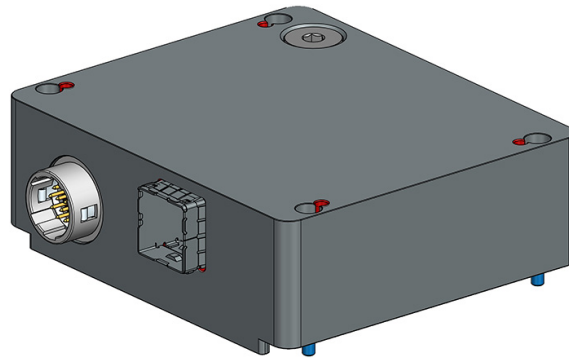


Figure 62: ADPT-MX-X4G3-FF-X4G3-SFF

Back part attachment to connect XIMEA Firefly cameras to SFF-8644 cable. Converts 1x PCIe Gen3 x4 camera.

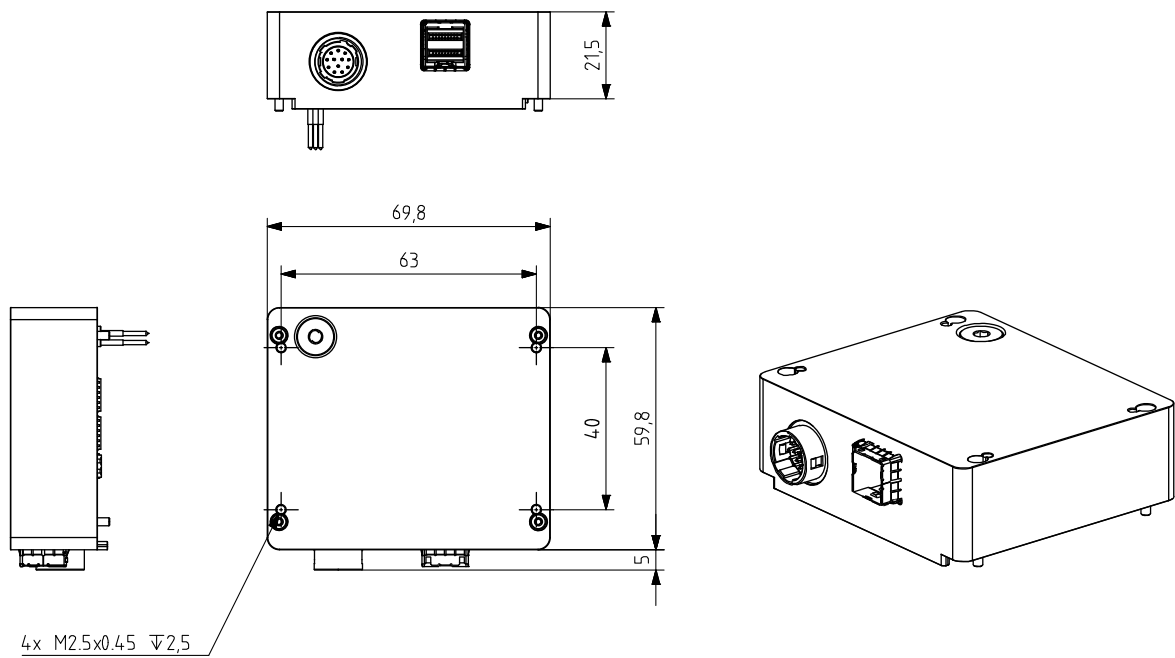


Figure 63: ADPT-MX-X4G3-FF-X4G3-SFF dimensional drawing

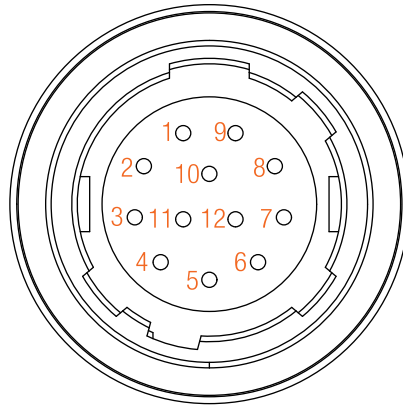


Figure 64: ADPT-MX-X4G3-FF-X4G3-SFF IO connector

The IO pins of the adapter are connected to the corresponding IO pins on the FireFly camera, based on their names

Pin	Name	Signal
1	IN2	Opto-isolated Input 2
2	IN1	Opto-isolated Input 1
3	OUT2	Opto-isolated Output 2
4	OUT1	Opto-isolated Output 1
5	AUX PWR	Power supply input
6	GND	External grounds for power and non-isolated I/O
7	INOUT1	Non-isolated I/O
8	INOUT3	Non-isolated I/O
9	INOUT2	Non-isolated I/O
10	IN GND	Ground for Opto-Isolated Inputs (IN1, IN2)
11	OUT GND	Ground for Opto-Isolated Out (OUT1, OUT2)
12	INOUT4	Non-isolated I/O

Table 53: ADPT-MX-X4G3-FF-X4G3-SFF IO pin assignment

ADPT-MX-SFF-FAN-COOLER

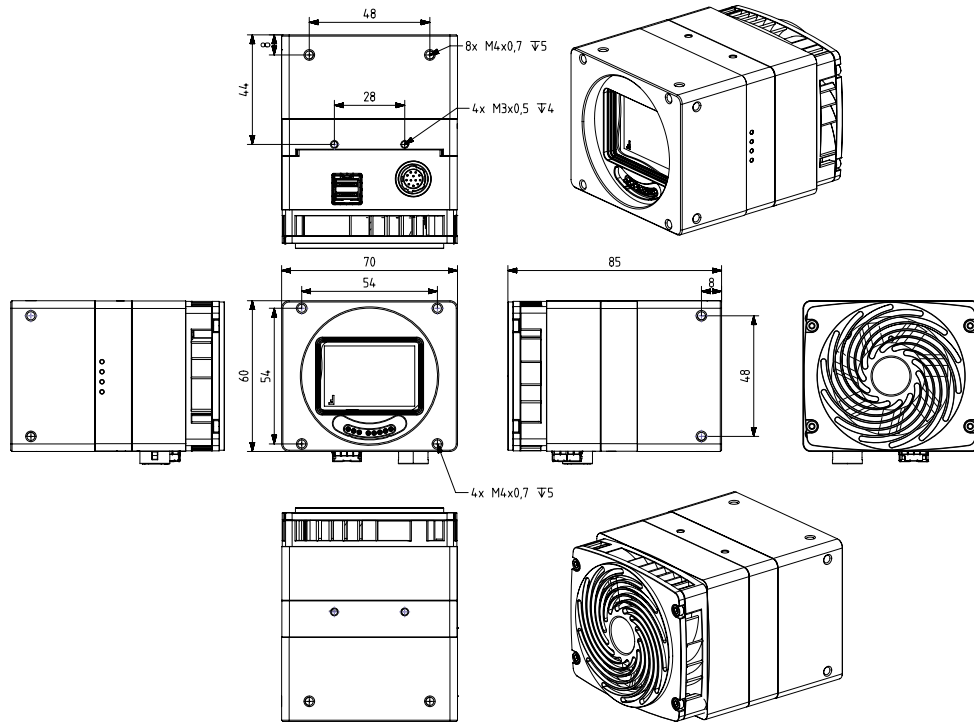


Figure 65: MX610xR-SY-X4G3-FF with SFF adapter and fan cooling

ADPT-MX-SFF-WAT-COOLER

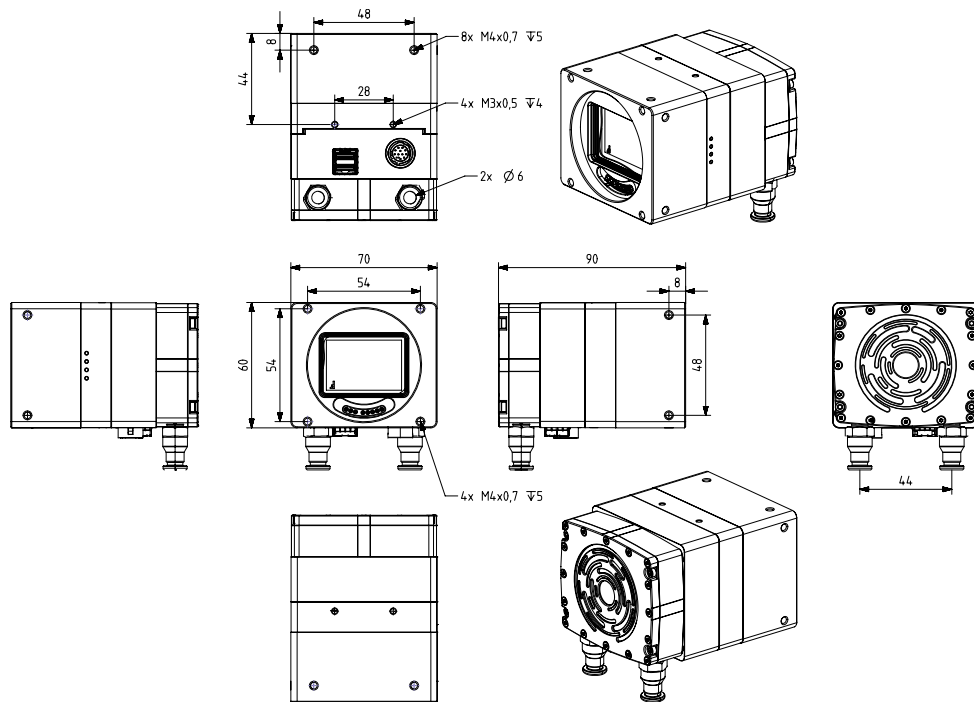


Figure 66: MX610xR-SY-X4G3-FF with SFF adapter and water cooling

2.11.14 FireFly MTP adapters

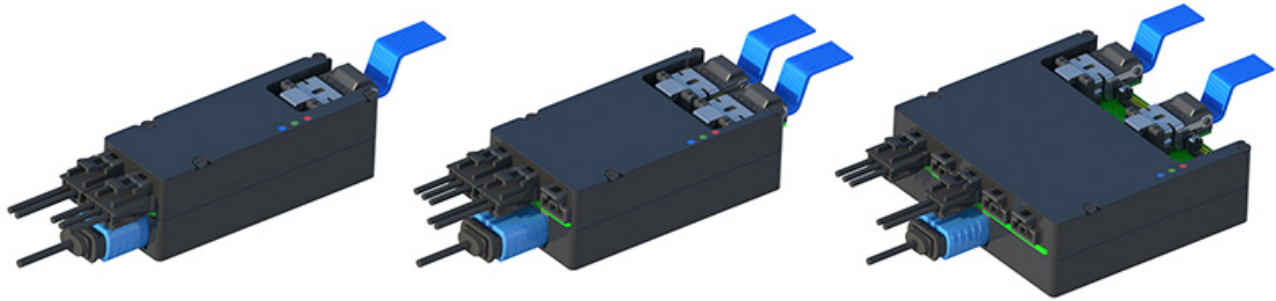


Figure 67: FireFly to MTP adapters

Adapter to connect XIMEA FireFly cameras to MTP cable.

The camera/s should be connected to these adapters over a FireFly ECUE copper cable (e.g. 10 cm - 3 m). The adapter has an integrated PCUO module, which allows connection to PC over optical MTP cable (e.g. 10 m). Adapters contain also connectors for power and GPI/GPO from the camera. The power cable is going to be bundled with the adapter delivery and sync cable is optional.

ADPT-1P-X4G3-FF-X4G3-MTP

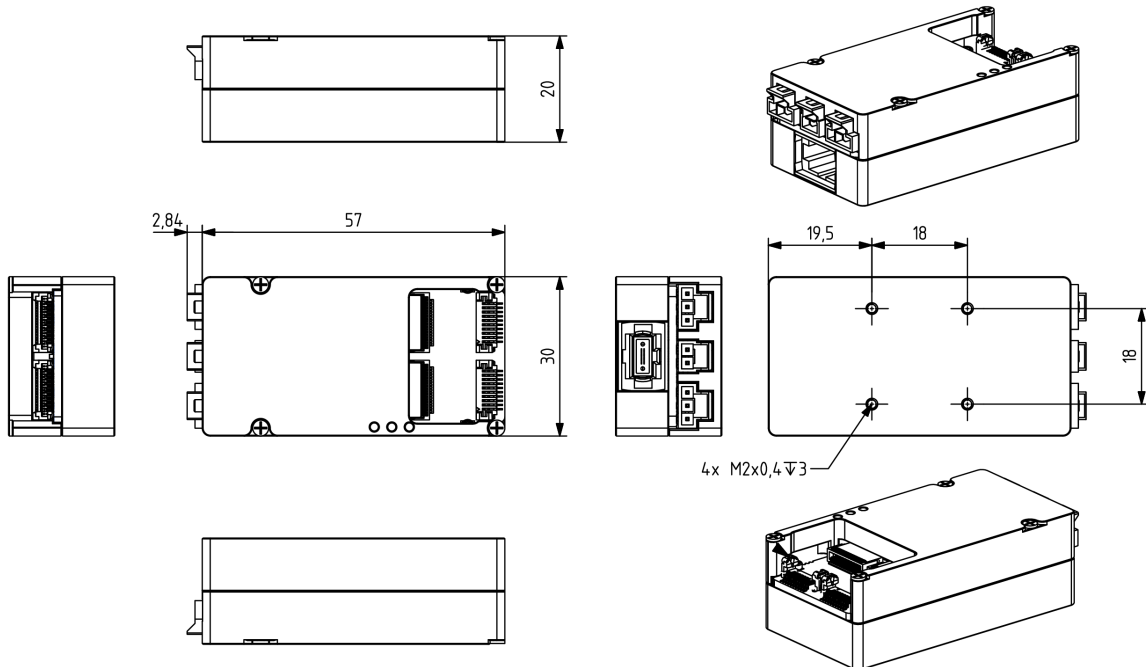


Figure 68: ADPT-1P-X4G3-FF-X4G3-MTP dimensional drawings

ADPT-1P-X8G3-FF-X8G3-MTP / ADPT-2P-X2G3-FF-X4G3-MTP

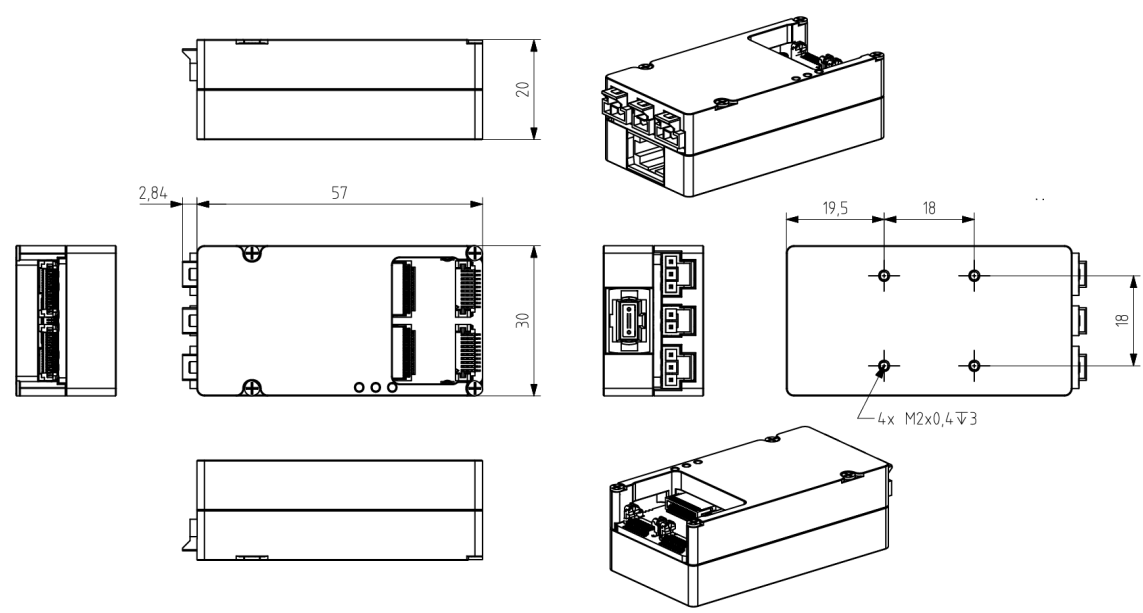


Figure 69: ADPT-1P-X8G3-FF-X8G3-MTP and ADPT-2P-X2G3-FF-X4G3-MTP dimensional drawings

ADPT-4P-X2G3-FF-X8G3-MTP

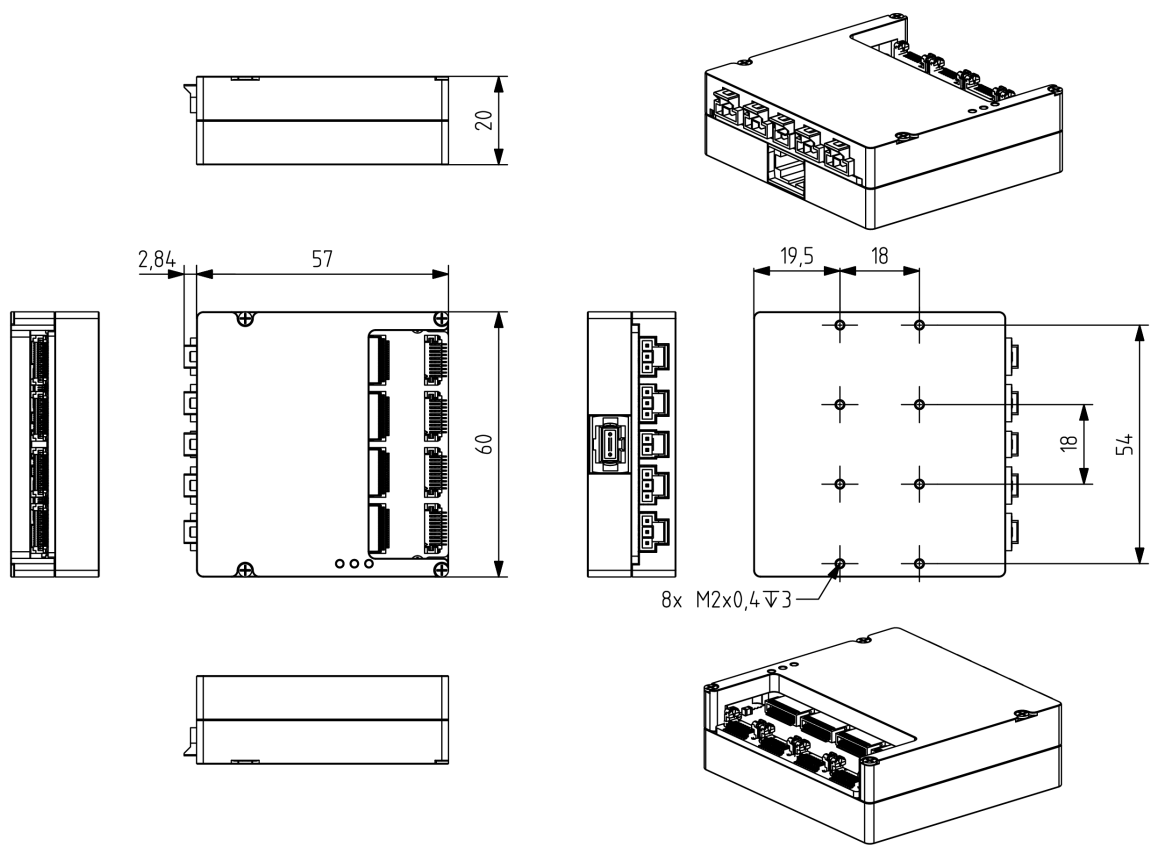


Figure 70: ADPT-4P-X2G3-FF-X8G3-MTP dimensional drawings

2.11.15 PCIe host adapters

Supports PCIe Gen3 x4 lines and requires PCIe Gen.3 x8 slot on the computer side. Bandwidth of 32 Gbps. Cable lengths of up to 100 m.

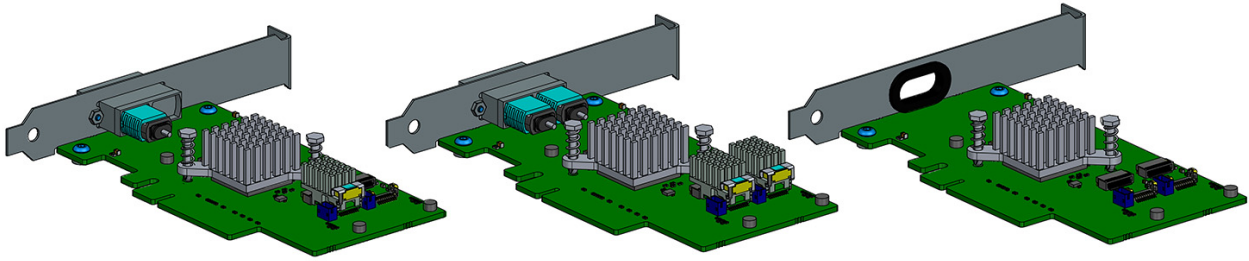


Figure 71: PCIe host adapters

HA-1P-X4G3-MTP-X8G3 / HA-2P-X4G3-MTP-X8G3

PCIe MTP Gen3 x4 Host Adapter - single or dual port for MTP fiber optic cables.

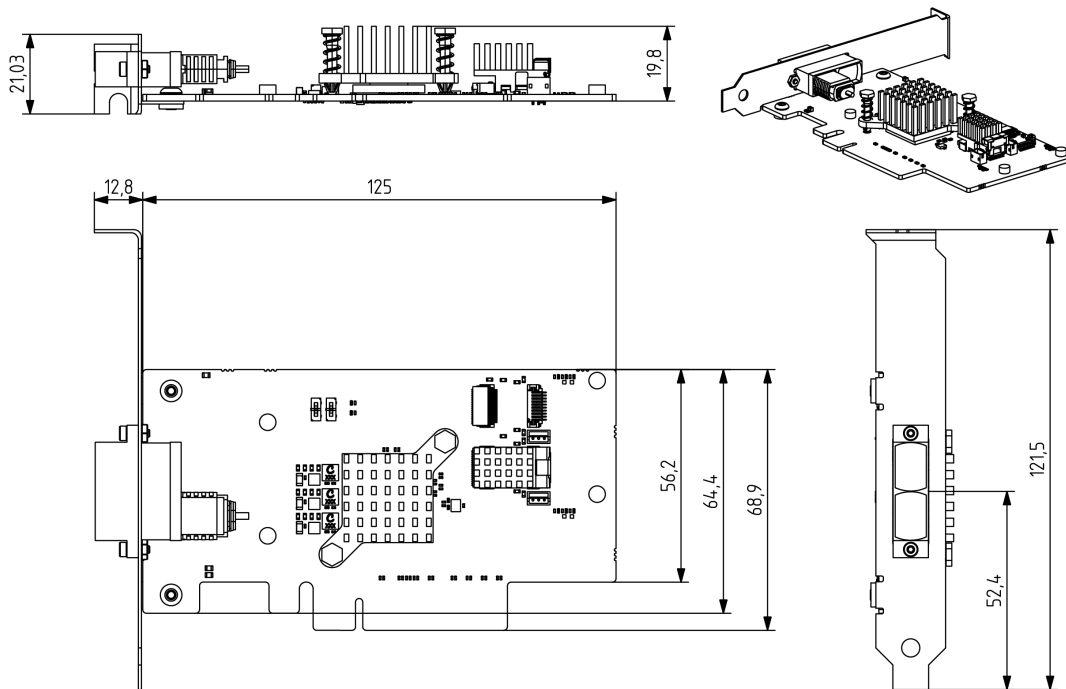


Figure 72: Dimensional drawing of host adapter HA-1P-X4G3-MTP-X8G3

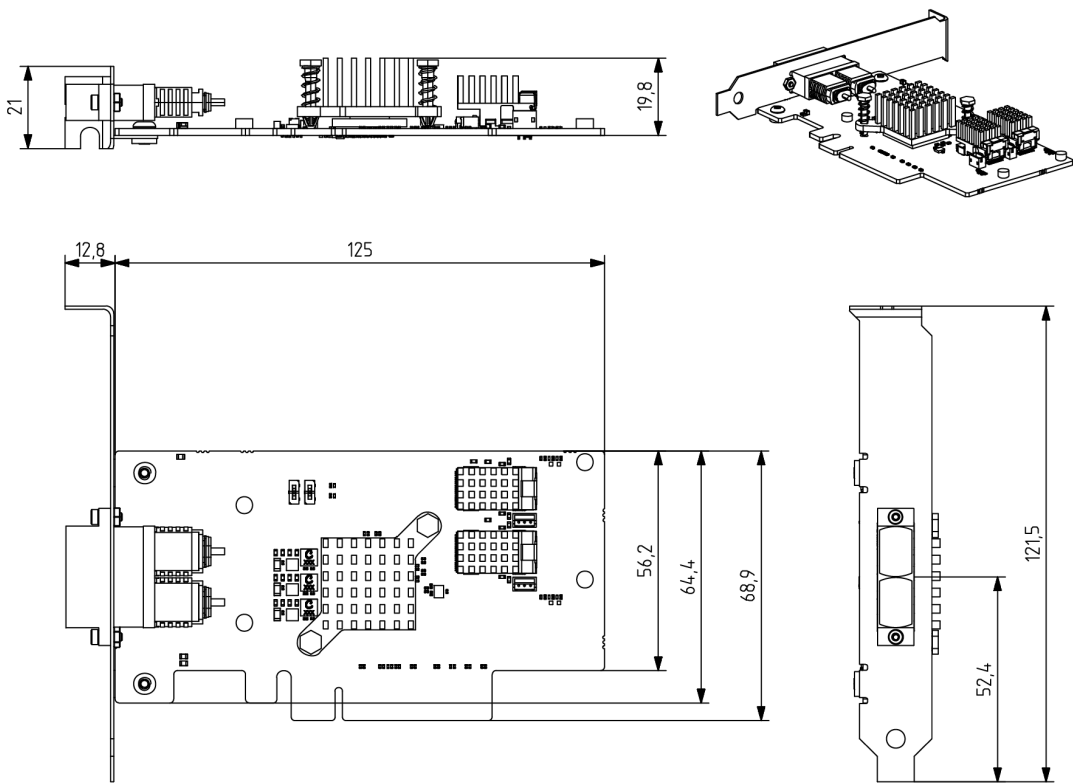


Figure 73: Dimensional drawing of host adapter HA-2P-X4G3-MTP-X8G3

HA-2P-X4G3-FF-X8G3

PCIe FireFly Host Adapter Dual - dual ports for Firefly cables.

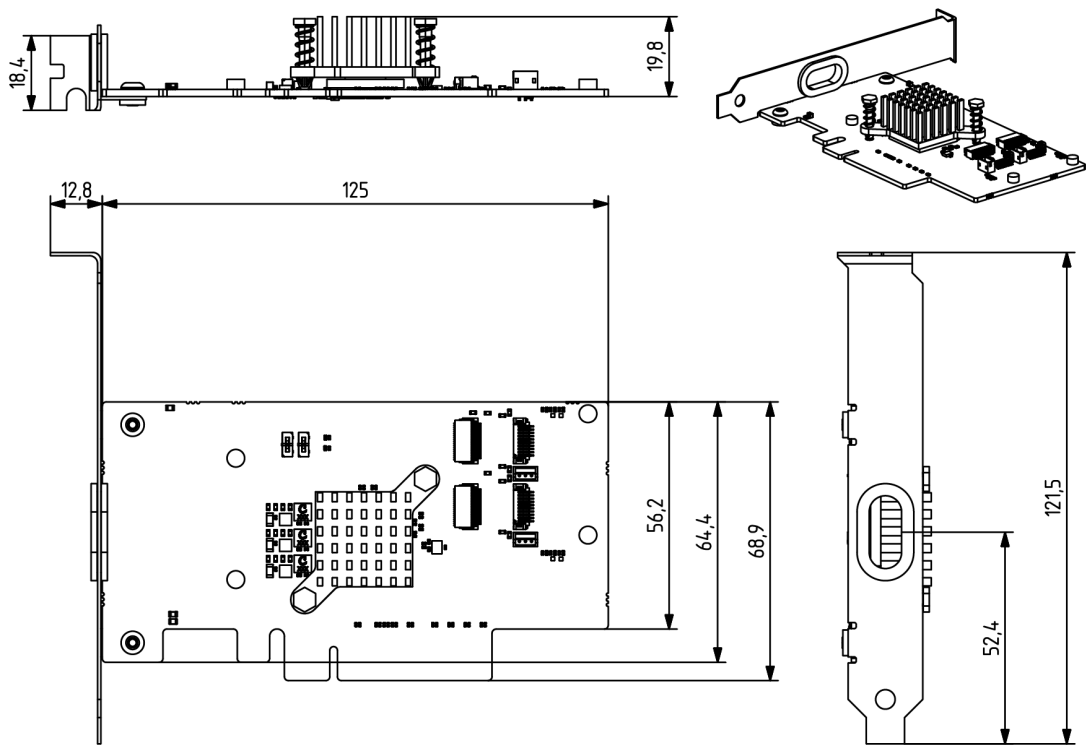


Figure 74: Dimensional drawing of host adapter HA-2P-X4G3-FF-X8G3

3 General features

3.1 Camera features

3.1.1 ROIs – Region of interest

ROI, also called area-of-interest (AOI) or windowing, allows the user to specify a sub-area of the original sensor size for read-out. ROI can be set by specifying the size (width and height) as well as the position (based on upper left corner) of the sub-area.

3.1.2 Downsampling modes

Downsampling describes the possibility of reducing the image resolution without affecting the sensors physical size, i.e. without reducing the physical size of the sensing area. This feature is useful when optics are used, that are particularly fitted to a certain sensor size and if it is necessary to maintain the full image circle on the sensor.

Downsampling can be achieved in two ways: binning and decimation.

Binning/decimation selector selects which binning/decimation engine is used (Sensor, FPGA, CPU). After setting of selector, multiple parameters could be get or set for the selected unit.

They can be divided into:

Patterns define the horizontal/vertical pattern how photo-sensitive cells are combined (mono or bayer)

Values reduce the horizontal or vertical resolution of the image by the specified horizontal/vertical downsampling factor

Modes in case of binning set the mode used to combine horizontal/vertical photo-sensitive cells together (sum or average)

Binning

When binning is applied, the image is divided into cluster of $k \times l$ pixels, where all pixels in each cluster are interpolated and result in the value of one output pixel. For example, a 2×2 binning produces 2×2 -pixel clusters and results in images with $\frac{1}{4}$ of the original resolution.

Decimation – Skipping

When decimation is chosen, only every n -th pixel is used to create the output image. For example, with a 2×1 vertical skipping, every odd number line is used and every even number line is skipped, resulting in an image with half its original vertical resolution. Skipping is a faster downsampling mode, but also introduces more aliasing effects.

3.1.3 Image data output formats

All modes are provided by the xiAPI or standard interfaces using the xiAPI (please see [Programming](#)). Each camera model supports several Image Data Output Formats.

This table is applicable to:

MX1018CR-SY-X4G3-FF MX1510CR-SY-X4G3-FF MX2457CR-SY-X4G3-FF MX610CR-SY-X4G3-FF

Mode	Description
XI_MONO8	8 bits per pixel. [Intensity] ^{1,2}
XI_MONO16	16 bits per pixel. [Intensity LSB] [Intensity MSB] ^{1,2}
XI_RAW8	8 bits per pixel raw data from sensor. [pixel byte] raw data from transport (camera output)
XI_RAW16	16 bits per pixel raw data from sensor. [pixel byte low] [pixel byte high] 16 bits (depacked) raw data
XI_RGB16_PLANAR	RGB16 planar data format
XI_RGB24	RGB data format. [Blue][Green][Red] ¹
XI_RGB32	RGBA data format. [Blue][Green][Red][0] ¹
XI_RGB48	RGB data format. [Blue low byte][Blue high byte][Green low][Green high][Red low][Red high] ¹
XI_RGB64	RGBA data format. [Blue low byte][Blue high byte][Green low][Green high][Red low][Red high][0][0] ¹
XI_RGB_PLANAR	RGB planar data format. [Red][Red]...[Green][Green]...[Blue][Blue]... ¹
XI_FRM_TRANSPORT	Data from transport layer (e.g. packed). Depends on data on the transport layer ³

¹Higher CPU processing is required when this mode is selected because color filter array processing is implemented on PC. This processing is serialized when multiple cameras is used at once. The most effective way to get data from camera is to use XI_RAW8, where no additional processing is done in API.

²On monochromatic cameras the black level is not subtracted in XI_MONO8 and XI_MONO16 formats by Image Processing in xiAPI, so black level remains the same as in RAW format.

³When using Transport Data Format, the Image Processing block from XiAPI Image Data Flow is skipped and therefore the Transport format is the most effective data format in terms of CPU and RAM usage.

Table 54: Image data output formats

This table is applicable to:

MX1018MR-SY-X4G3-FF MX1510MR-SY-X4G3-FF MX2457MR-SY-X4G3-FF MX610MR-SY-X4G3-FF

Mode	Description
XI_MONO8	8 bits per pixel. [Intensity] ^{1,2}
XI_MONO16	16 bits per pixel. [Intensity LSB] [Intensity MSB] ^{1,2}
XI_RAW8	8 bits per pixel raw data from sensor. [pixel byte] raw data from transport (camera output)
XI_RAW16	16 bits per pixel raw data from sensor. [pixel byte low] [pixel byte high] 16 bits (depacked) raw data
XI_FRM_TRANSPORT	Data from transport layer (e.g. packed). Depends on data on the transport layer ³

¹Higher CPU processing is required when this mode is selected because color filter array processing is implemented on PC. This processing is serialized when multiple cameras is used at once. The most effective way to get data from camera is to use XI_RAW8, where no additional processing is done in API.

²On monochromatic cameras the black level is not subtracted in XI_MONO8 and XI_MONO16 formats by Image Processing in xiAPI, so black level remains the same as in RAW format.

³When using Transport Data Format, the Image Processing block from XiAPI Image Data Flow is skipped and therefore the Transport format is the most effective data format in terms of CPU and RAM usage.

Table 55: Image data output formats

3.2 Acquisition modes

3.2.1 Free-Run

Also known as continuous acquisition. In this mode the sensor delivers a constant stream of image data at the maximum speed available by the current bandwidth, without any external trigger. Each image exposure is sequentially started automatically when possible.

For all sensors the exposure of the next frame overlaps with the data readout of the previous frame. This Overlap mode gives the highest number of frames per second (FPS).

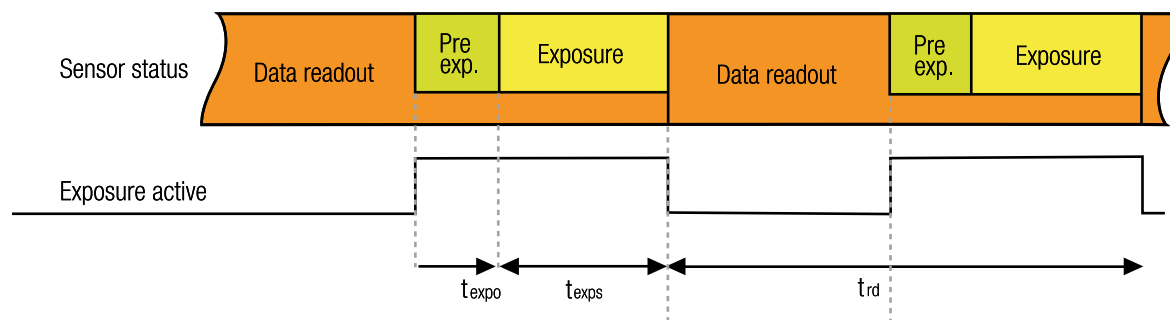


Figure 75: Acquisition mode - free run

The frame rate in free run mode depends inversely on the frame time. In general the frame time roughly equals to the readout time or to the exposure time, depending on which one of the two is larger. This means that when exposure time is larger than the readout time, the frame rate gradually decreases with increasing exposure time ($\text{frame_rate} \sim 1/t_{\text{exp}}$).

This is however not true for the IMX455, IMX461 and IMX461 sensors where the frame time is always a multiple of the readout time and its value equals $n \cdot t_{\text{readout}}$ where n is the integer part of division of exposure time by readout time ($n = t_{\text{exp}} // t_{\text{readout}}$).

In this mode the timing depends on the Exposure Time and Data Readout Time. In situation when the exposure time is comparable or longer than readout time, the exposure active signal might have constant active level during acquisition. This might be caused also by different propagation delay for rising and falling edge of opto isolated outputs. Polarity inversion might help to make visible the separated exposure pulses. Some camera models support limiting of FPS. When set the camera will limit the frame rate so it does not exceed the set value. Please see: [Frame_Rate_Control](#). This is also applicable in case of triggered acquisition.

3.2.2 Trigger controlled acquisition/exposure

Unlike in the free-run, each image exposure can also be triggered with an input trigger signal. In this mode, the sensor waits in stage until the trigger signal arrives. Only then, the exposure of first frame is started, which is followed by the data readout. XIMEA cameras supports several triggered modes along with single image exposure after one trigger. The trigger signal can be either edge sensitive or level sensitive. In the case of “level sensitive”, it can be used to control length of exposure or acquisition itself. Generally trigger sources can be divided into two groups:

Software trigger

The trigger signal can be sent to the sensor using a software command. In this case, common system related latencies and jitter apply.

Hardware trigger

A hardware trigger can be sent to the sensor using the digital input. Triggering by hardware is usually used to reduce latencies and jitter in applications that require the most accurate timing. In this case rising edge of input signal is suggested as the delay of opto coupler is smaller as well as introduced jitter. Triggering by hardware is usually used to reduce latencies and jitter in applications that require the most accurate timing.

Triggered mode - Burst of frames

For more information please see: [Frame Burst Modes](#)

Frame Burst Start

In this mode each trigger pulse triggers defined number of exposed frames.

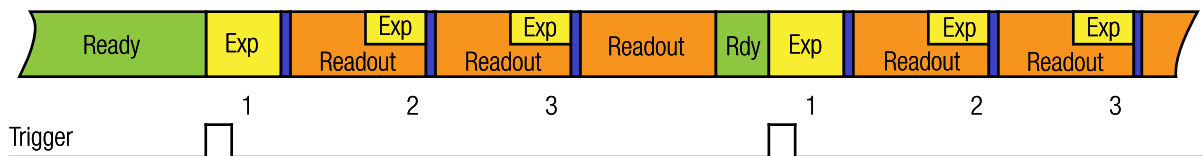


Figure 76: Triggered burst of frames – frame burst start

Frame Burst Active

If trigger is level-sensitive, it can be used to control image acquisition.

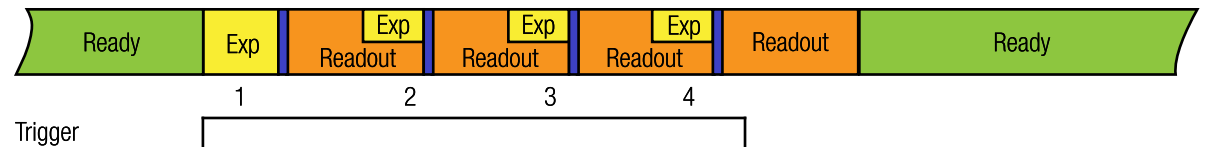


Figure 77: Triggered burst of frames – frame burst active

Triggered mode - Exposure defined by trigger pulse length

In this mode the exposure is defined by trigger pulse length. This can be used to achieve longer exposure than allowed by API. Also, it can be used to trigger several images in sequence with different exposure time. Exposure time is measured and reported in image metadata. Please see: [Exposure Defined by Trigger Pulse Length](#)

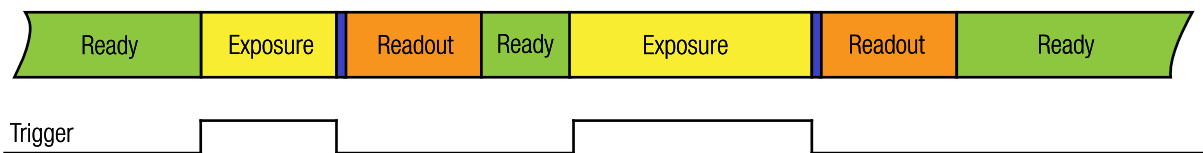


Figure 78: Exposure defined by trigger pulse length

3.3 Exposure time

Also known as shutter speed. This parameter defines the length of the integration period for each frame. Most CMOS sensors generate the exposure interval internally. For some it is possible to control it by external signaling. The sensor internal timing depends on the provided system clock. Most sensors use dividers to generate slower clocks for internal usage.

The minimum exposure time is defined mostly by row times, where the row time (T_R) is dependent on various internal settings. Very few sensors support exposure times equal to zero. There is a defined minimum exposure time as well as minimum steps between possible exposure times. There is also a maximum exposure time, defined by sensor architecture.

3.4 Gain

The gain value influences the analog-to-digital conversion process of the image sensor pipeline and acts as a multiplier of the output signal. Using gain values greater than 0 will increase the pixel intensities but may also increase the overall noise level. For some camera models the gain can be set in discrete steps only.

3.5 Sensor Shutter Modes

Cameras can be operated in two shutter modes, Rolling Shutter or Global Reset Release. The Rolling Shutter mode is used if the camera is operated in free-run mode. If the camera is triggered, either by hardware trigger or through software, the sensor uses the Global Reset Release mode.

3.5.1 Global Reset Release Mode

- Global reset of all photo diodes
- Integration stage

Transfer, conversion and readout line by line starts at the end of the integration of the first line. Not transferred line stays in integration stage until readout of particular line starts. This leads to different exposure time for individual lines. Each next line has exposure longer by readout of one line.

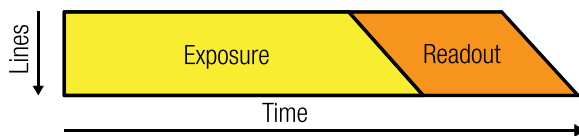


Figure 79: Global reset release mode - schematic

Because of the longer exposure of the lower lines they may show increased blurring if the object moves. To freeze the motion, a flash may be used. In contrast to rolling shutter mode the flash strobe does not need to be delayed.



Figure 80: Global reset release mode - image horizontally moved object

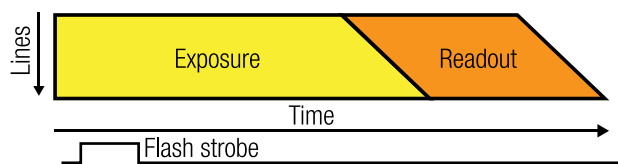


Figure 81: Global reset release mode with flash - schematic

3.5.2 Rolling Shutter Mode

- Line by line integration state
- Line by line transfer and readout

Integration of next line is delayed by readout time of one line

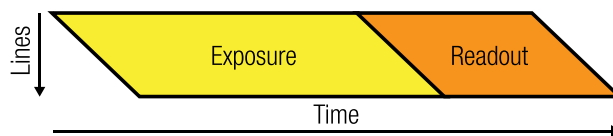


Figure 82: Rolling shutter mode - schematic

Because of the sequential start of the exposure, the rolling shutter mode may introduce artifacts effect if objects move. In the direction of the lines (horizontal) the image will be sheared. When moving in vertical direction, the object may appear longer or shorter. When the exposure is longer also motion blur may occur



Figure 83: Rolling shutter mode image of a horizontally moved object



Figure 84: Rolling shutter mode image of a horizontally moved object, long exposure time

Rolling shutter artifacts may be prevented by using a flash or stroboscopic light. The flash or strobe must occur when all lines are exposed simultaneously. The exact timing depends on sensor type and readout timing. In Rolling shutter mode all lines are triggered consecutively, and a strobe must be timed so that it does not start before all lines are open. The delay can be calculated from the highest frame rate and is $1/fps$. The strobe must also end before the first lines are closed again for exposure, which sets a lower limit for the exposure time, as can be seen in the figure above.

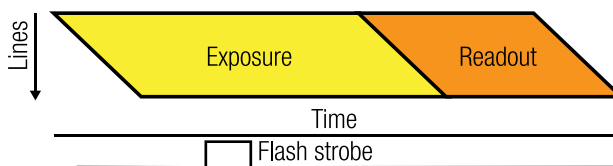


Figure 85: Rolling shutter mode with flash - schematic

3.6 API Features

Host-assisted image processing features available in xiAPI

3.6.1 Exposure – Auto gain

When AEAG is used, every captured image is evaluated for its mean intensity. Based on the result, the exposure and gain values are modified with the objective to achieve a target intensity level for the following image. Further, the maximum applicable exposure and gain values can be defined. Since both, exposure and gain, have an influence on the intensity, the ratio between those two parameters in their contribution to the algorithm can also be set (exposure priority).

3.6.2 Parallel ADC readout mode

Enables the parallel ADC readout mode, where all exposed pixels undergo dual sampling, leading to reduced readout noise at the cost of increased readout time (MANUAL)Enabling this feature activates the parallel ADC readout process for all pixels, effectively halving the maximum frame rate while improving the noise performance and signal to noise ratio in low light scenes.

3.6.3 High conversion gain mode

Enables high conversion gain feature which applies additional gain to the signal at the pixel level. This leads to a reduction in read noise, a boost in sensitivity and signal-to-noise ratio, particularly in low-light situations. Consequently, the camera exhibits superior performance in dark environments, capturing images with minimal noise and enhanced detail.

3.6.4 Programmable gain - north

First of two channels of programmable gain control (PGC) function - Gain setting of R, B pixels (North column analog gain). This is available only on some cameras.

3.6.5 Programmable gain - south

Second of two channels of programmable gain control (PGC) function - Gain setting of Gr, Gb pixels (South column analog gain). This is available only on some cameras.

3.6.6 White balance

Only for color models: The white balance can be adjusted with three coefficients kR, kG and kB, one for each color channel. These coefficients can be set individually in order to increase or decrease each channel's contribution and therefore allow the user to control the color tint of the image.

Assisted manual white balance

This feature measures the white balance a single time and sets the white balance coefficient to achieve a mean grey (neutral) tint. The measurement is performed on the central rectangle of the image, with 1/8th of its width and height. The function expects a white sheet of paper exposed to 50% of the intensity values (8 Bit RGB values should be around 128) to be visible.

Auto White Balance

The white balance is measured across the full image for every 4th image that is acquired, and the white balance coefficients are set to achieve a neutral colour tint.

3.6.7 Gamma

Only for color models: As a part of the color filtering process, it is possible to adjust the gamma level of the image. The adjustment can be set separately for the luminosity and the chromaticity.

3.6.8 Sharpness

Only for color models: As a part of the color filtering process, it is possible to adjust the sharpness of the image.

3.6.9 Color correction matrix

The color correction matrix is a 4x4-matrix which is applied on each pixel of an image in a host-assisted post-processing step. This Matrix can be used for example to adjust the brightness, contrast, and saturation.

3.6.10 Sensor defect correction

During the manufacturing process, every camera is tested for various type of defects and a list of the measured defect pixels is created and stored in the camera's non-volatile memory. This list is then used for the correction of acquired images during operation. The correction is inactive by default, but can be turned on by the user if a non-processed output is required.

3.6.11 Flat field correction

Flat field correction (FFC or shading correction) is a method to remove non-uniformities in the image caused by different sensitivities of the pixels and by distortions caused by optics. For XIMEA cameras this correction is applied in the image processing part of the [image data flow diagram](#) (it is performed on the host computer thus depending on the image size and CPU performance enabling it may cause increased processing time).

In order for the xiapi to calculate the gain and offset coefficients for each individual pixel, it is necessary to load calibration images (1 dark image and 1 mid-saturated image) before applying FFC in RAW8 or RAW16 format depending on desired output bit depth. To obtain optimal results, camera should be in the same setup (lens, device output bit depth, gain, ROI, downsampling, Zero ROT, light conditions...) during acquisition of calibration images and while using FFC.

Compare of camera output with shading (left) and after FFC enabled (right):

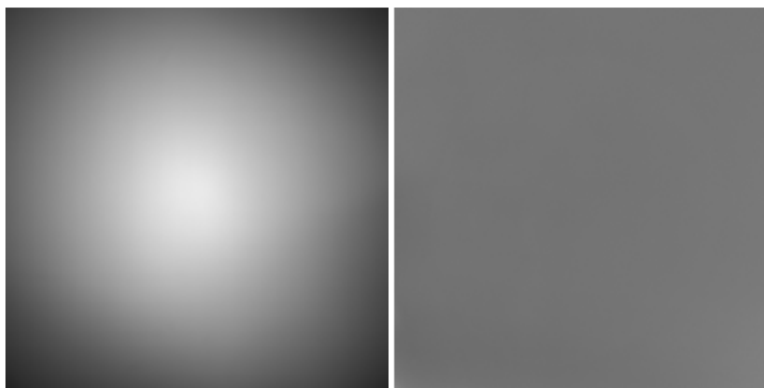


Figure 86: Flat field correction - images comparison

Acquisition of calibration images

The easiest way to acquire calibration images is by using [CamTool](#) guide:



Figure 87: Flat field correction - new FFC

Dark Image

Close camera lens with a cap (make it dark) and click button Capture. Average the image from set number of frames to suppress dynamic noise.

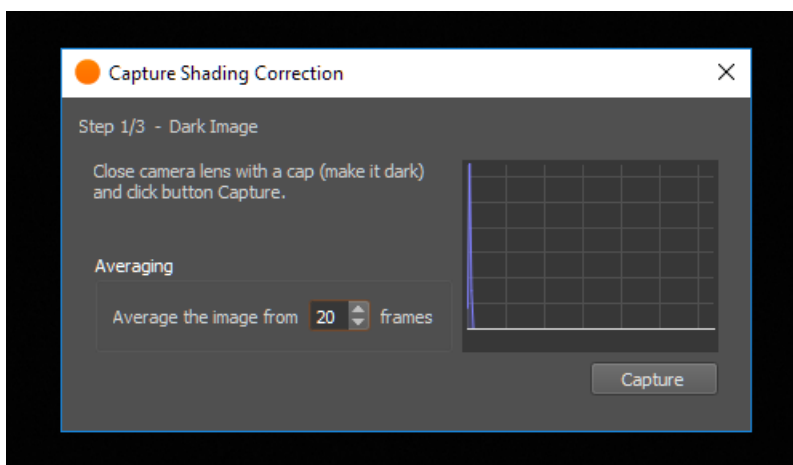


Figure 88: Flat field correction - Dark image

Mid-saturated image

Open camera lens and aim the camera into paper illuminated at 30-70% and click button Capture. Average the image from set number of frames. Image should be focused out of captured plane to reduce dust or other details in the scene.

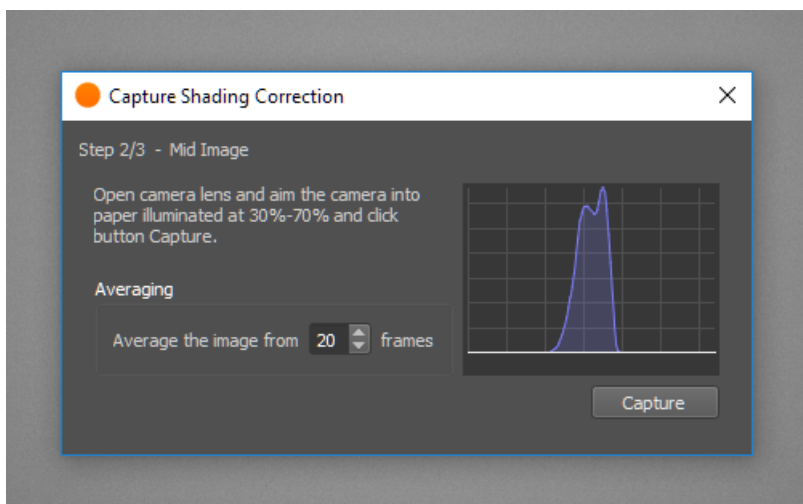


Figure 89: Flat field correction - Mid- saturated image

Save TIFF files

Save the new preset how it be displayed in CamTool.

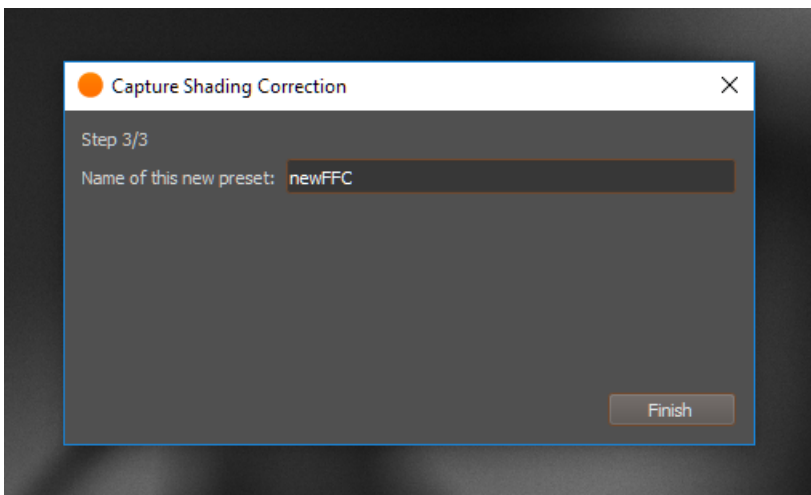


Figure 90: Flat field correction - new preset

To verify calibration, FFC can be also enabled in CamTool by clicking on created preset



Figure 91: Flat field correction - Enabling FFC

In case of any issue, please double check that all dependent camera parameters (device output bit depth, ROI, downsampling, Zero ROT, exposure, gain...) are in the same setup as during acquisition of calibration images

To see calibration images and be able to save them, click on Manage, then choose preset from list. Camera parameters for that particular preset will be displayed. Click on show dark/mid image

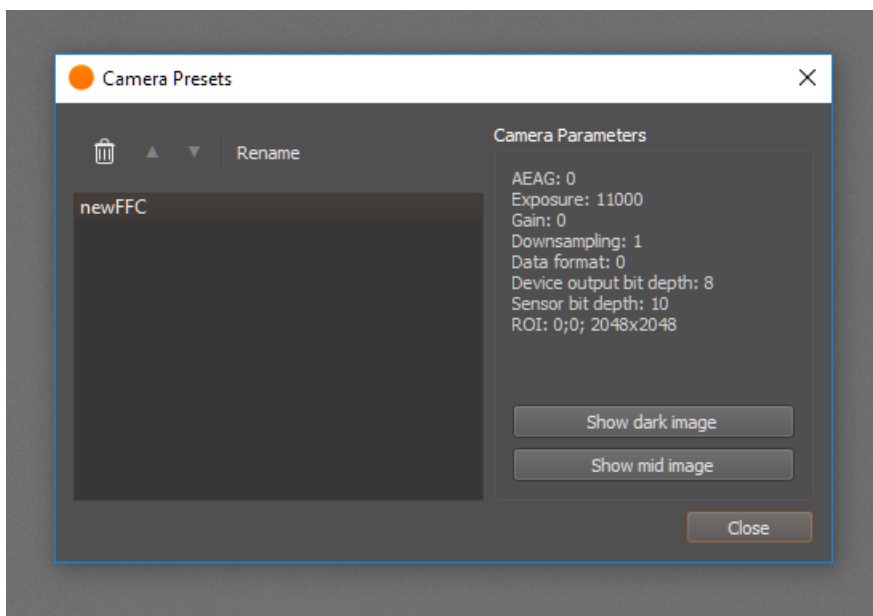


Figure 92: Flat field correction - FFC management

When images are shown in CamTool it is possible to save them by clicking on save icon in top toolbar. Images should be saved in uncompressed TIFF format to use in API.

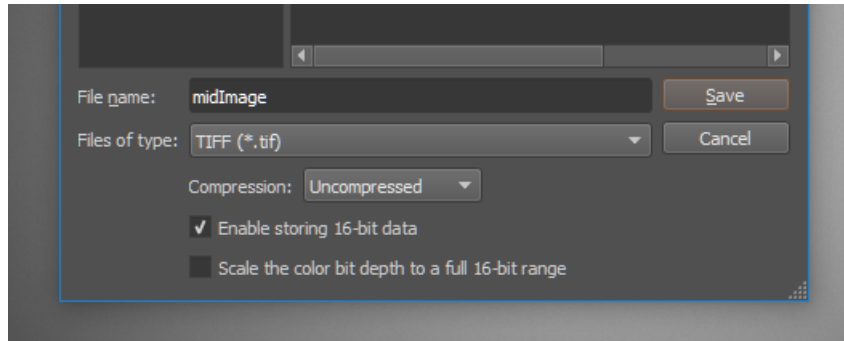


Figure 93: Flat field correction - Safe TIFF

Otherwise, calibration images from CamTool are stored in hidden AppData folder. It can be opened in Windows Run application by command:

```
%LOCALAPPDATA%\xiCamTool\shading
```

Calibration images might be also acquired in any other tool as long as the output is in TIFF format and with the same camera setup.

Applying FFC in xiAPI

xiAPI command sequence:

- Set all dependent camera parameters (device output bit depth, ROI, downsampling, Zero ROT, exposure, gain...) to be in the same setup as during acquisition of calibration images.
- Load dark image - `XI_PRM_FFC_DARK_FIELD_FILE_NAME`
size - size of the file name - `strlen(file_name)`.
- Load mid-saturated image - `XI_PRM_FFC_FLAT_FIELD_FILE_NAME`
size - size of the file name - `strlen(file_name)` (place both image files into project folder).

Note: Use the same image file for this parameter as for `XI_PRM_FFC_DARK_FIELD_FILE_NAME` for dark-field correction only. Processing will subtract the dark image only while using the unity (1.00) gain for correction.

- Enable `XI_PRM_FFC`.

Sample code:

```
xiSetParamInt(0, XI_PRM_NEW_PROCESS_CHAIN_ENABLE, XI_ON); // MU,MQ,MD camera families

xiOpenDevice(0, &xiH);
// set dependent camera params to same values as during calibration

xiSetParamString(xiH, XI_PRM_FFC_DARK_FIELD_FILE_NAME, "darkImage.tif", strlen("darkImage.tif"));
xiSetParamString(xiH, XI_PRM_FFC_FLAT_FIELD_FILE_NAME, "midImage.tif", strlen("midImage.tif"));
xiSetParamInt(xiH, XI_PRM_FFC, 1);
```

In `FFCdemoWithOpenCV.cpp` is FFC demonstrated in OpenCV+xiAPI example. FFC might be enabled or disabled by pressing any key while program is running.

4 Operation

For a proper operation of your camera there are certain requirements that have to be met. You can read more about these requirements as well as about the correct usage of camera in the following sections.

4.1 System requirements

4.1.1 Software requirements

Cameras are compatible with the following operating systems:

- Windows 10, 11
- Linux Ubuntu
- MacOS 10.8 or newer



macOS

All XIMEA cameras are compatible with the most advanced Vision and Image Processing Libraries. See chapter [XIMEA Software Packages](#) for more information about the options to access cameras, as well as a list of currently supported libraries and frameworks supported in Windows. For more information visit [API - Application Programming Interfaces](#).

4.2 XIMEA software packages

4.2.1 XIMEA Windows software package

XIMEA API Software Package can be installed on: Microsoft Windows 10, 11.

Contents

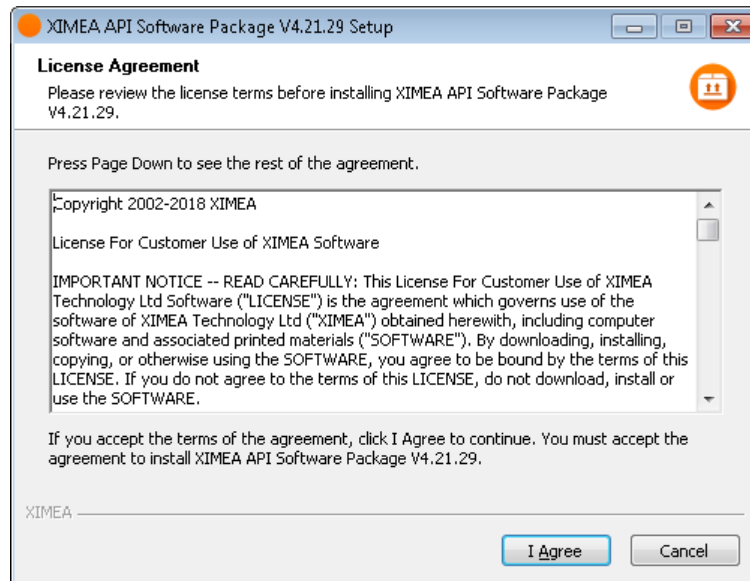
The package contains:

- OS Drivers of all XIMEA camera types for OS Microsoft Windows, Windows Server 2008 R2 x86-64, Windows 10 32/64 bit
- APIs (*xiAPI*, *xiAPI.NET*, *xiApiPython*)
- Examples
- CamTool
- xiCOP
- GenTL Producer - for connection of GenTL Consumer applications
- *Vision Libraries* integration demonstrations:
 - NI LabView interface - xiLib

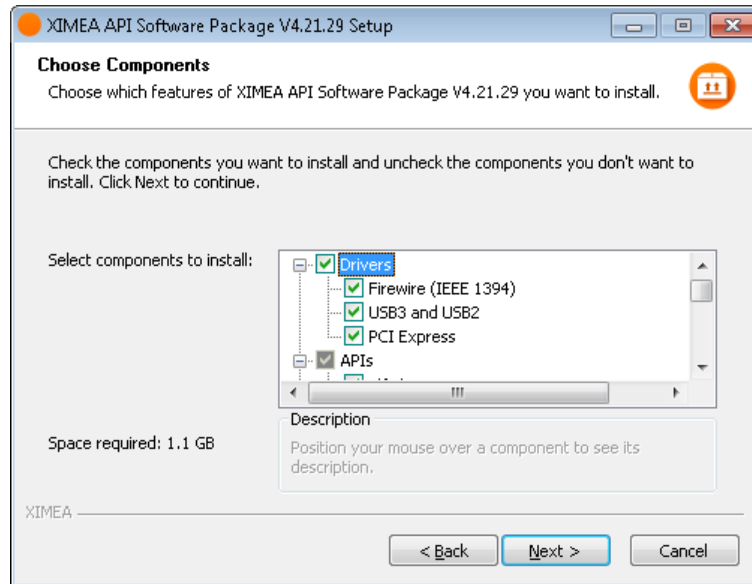
Installation

- Download and execute the XIMEA API Software Package installer (EXE-file, approximate size 100 MB): http://www.ximea.com/downloads/recent/XIMEA_Installer.exe
- Read the License Agreement
- Start the installer

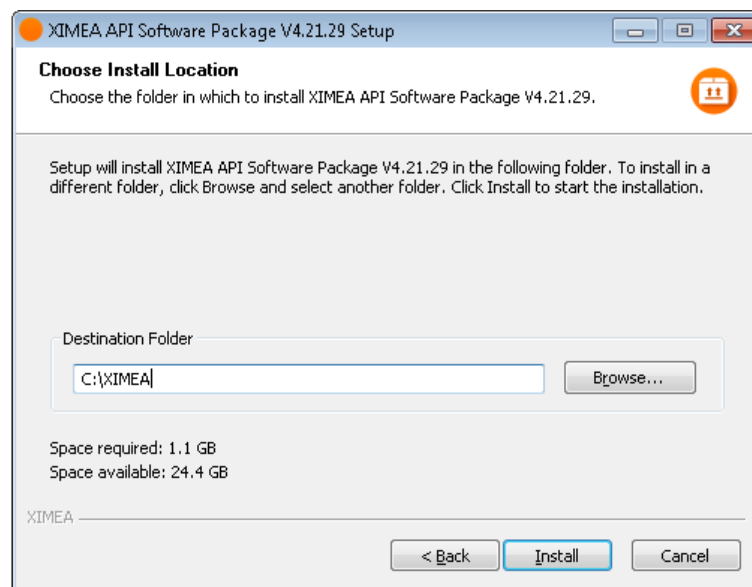
Be sure that you have administrator privileges or start the Installer with administrator rights (right click and select “run as administrator”):



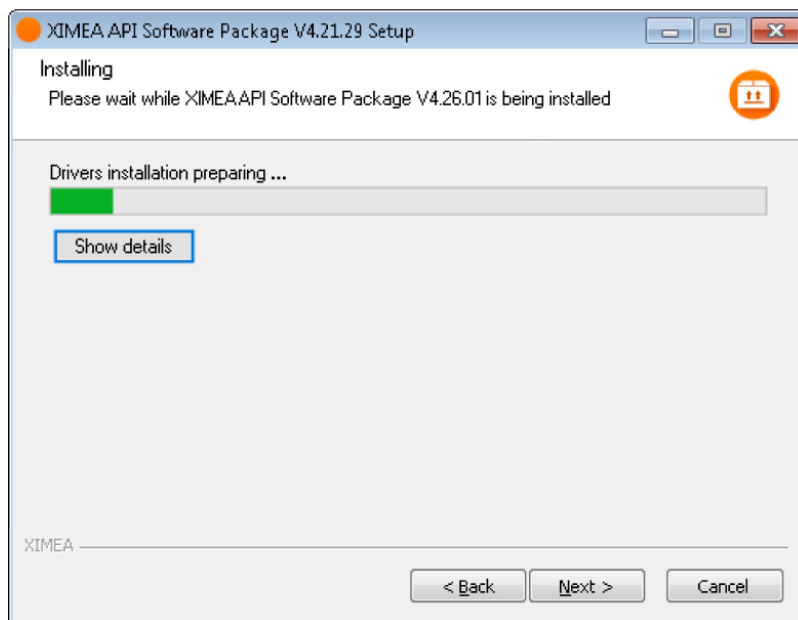
- Select the Software components you want to install. You can uncheck the components you don't want to install, but it is recommended to leave them all checked



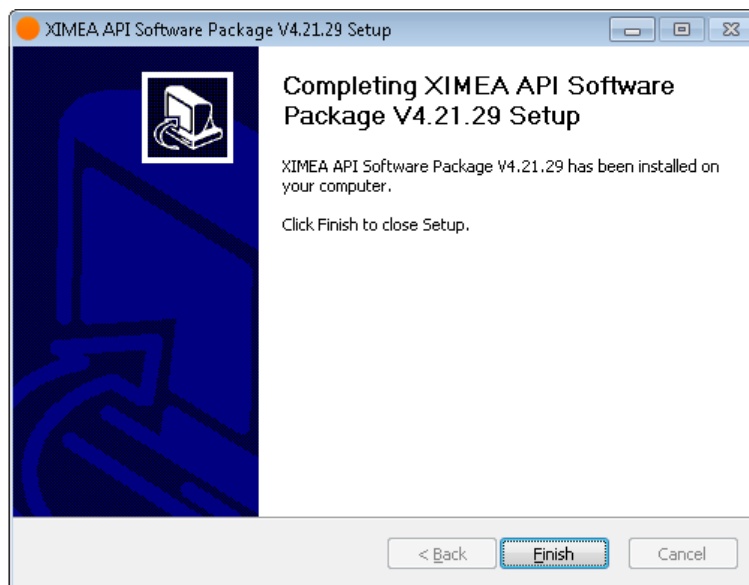
- Specify the install location - you can leave the default location or change it to your desired location



- Now the XIMEA API Software Package should start copying files, updating System Variables and installing drivers if necessary



- Installation is completed
- Finish



4.2.2 XIMEA Linux software package

XIMEA Linux Software Package is tarred installer with files that can be run on Linux Ubuntu 14.04 and 16.04 (32 and 64 Bit) and newer releases.

Contents

The package contains:

- Driver for XIMEA USB2 and USB3 cameras
- xiAPI
- XIMEA CamTool
- Examples:
 - xiSample - sample showing basic image acquisition in xiAPI

Installation

- Download XIMEA Linux Software Package:

http://www.ximea.com/downloads/recent/XIMEA_Linux_SP.tgz

```
wget http://www.ximea.com/downloads/recent/XIMEA_Linux_SP.tgz
```



```
ximea@ximea-Linux64: ~
ximea@ximea-Linux64:~$ wget http://www.ximea.com/downloads/recent/XIMEA_Linux_SP.tgz
--2013-06-05 17:06:29-- http://www.ximea.com/downloads/recent/XIMEA_Linux_SP.tgz
Resolving www.ximea.com (www.ximea.com)... 91.143.80.251
Connecting to www.ximea.com (www.ximea.com)[91.143.80.251]:80... connected.
HTTP request sent, awaiting response... 301 Moved Permanently
Location: http://www.ximea.com/support/attachments/271/XIMEA_Linux_SP.tgz [following]
--2013-06-05 17:06:30-- http://www.ximea.com/support/attachments/271/XIMEA_Linux_SP.tgz
Connecting to www.ximea.com (www.ximea.com)[91.143.80.251]:80... connected.
HTTP request sent, awaiting response... 200 OK
Length: 3885021 (3.7M) [application/octet-stream]
Saving to: 'XIMEA_Linux_SP.tgz'

100%[=====] 3,885,021  2.09M/s  in 1.8s

2013-06-05 17:06:31 (2.09 MB/s) - 'XIMEA_Linux_SP.tgz' saved [3885021/3885021]

ximea@ximea-Linux64:~$
```

- Untar

```
tar xzf XIMEA_Linux_SP.tgz
```

```
cd package
```

- Start installation script

`./install`

```
ximea@ximea-Linux64: ~/package
ximea@ximea-Linux64:~$ tar xzf XIMEA_Linux_SP.tgz
ximea@ximea-Linux64:~$ cd package
ximea@ximea-Linux64:~/package$ ./install -cam_usb30
This will install XIMEA Linux Package after 5 seconds
To abort installation - press Ctrl-C
Installing x64 bit version
[sudo] password for ximea:
This is installation of package for platform -x64
Checking if user is super user
OK
-----
WARNING!!!
You have enabled experimental USB3 support! It may affect USB2 support too.
DO NOT downgrade the kernel to versions older than 3.4!!!!
Advised way of enabling USB3 support is upgrading kernel to version at least as new as 3.6.
If you decide to do it in the future, rerun this installation script after rebooting into new k
rnel.
-----
Installing libusb
OK
Installing Firewire support -- libraw1394
OK
Checking Firewire stack
Installing API library
OK
OK
OK
Rebuilding linker cache
Installing XIMEA-GenTL library
OK
Installing vaViewer
OK
Installing streamViewer
OK
Installing xiSample
OK
Creating desktop link for vaViewer
Creating desktop link for streamViewer
Installing udev rules for USB and Firewire cameras
OK
-----
Note:
You may need to reconnect your USB and/or Firewire cameras
Also check that you are in the "plugdev" group
More info:
http://www.ximea.com/support/wiki/apis/Linux_USB20_Support
-----
For GenICam - please add GENICAM_GENTL64_PATH=/opt/XIMEA/lib/libXIMEA_GenTL.so to Your .bashrc
o enable GenTL
Now applications can be started. E.g. /opt/XIMEA/bin/xiSample
-----
Done OK
ximea@ximea-Linux64:~/package$
```

Note: If logged in user is not root, you will be asked for your password to get root access, because the installation runs with root account using sudo.

4.2.3 XIMEA macOS software package

XIMEA macOS Software Package is native DMG installer that can be run on macOS 10.8 (Mountain Lion) or newer.

Contents

The package contains:

- Driver (beta version) for XIMEA USB2 and USB3 cameras
- xiAPI
- XIMEA CamTool
- Examples:
 - xiSample - sample showing basic image acquisition in xiAPI

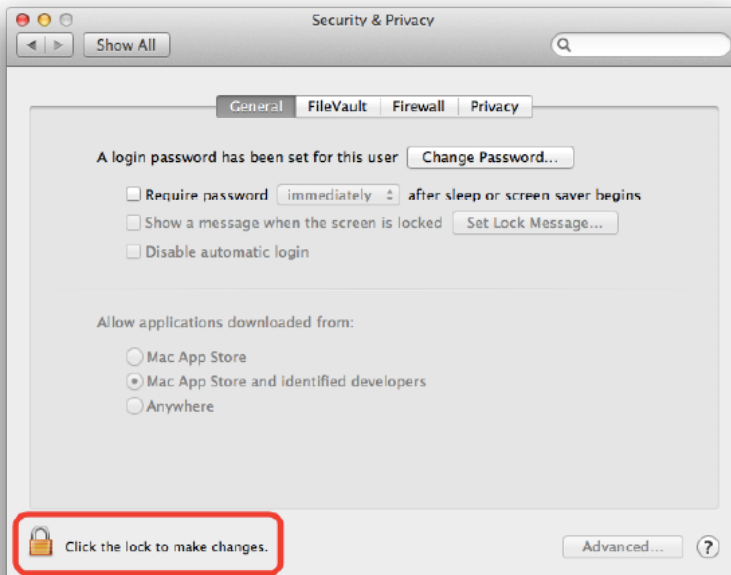
Installation

Before installing XIMEA macOS Software Package it may be necessary to modify security settings on your computer. The new feature of OS X 10.8 called GateKeeper can prevent you from using our macOS Software Package due to the fact that the current version is unsigned.

- Open System Preferences application and click on Security & Privacy



- Click on the lock to allow changes to be made



- On the General Tab select the option Anywhere under Allow applications downloaded from:



- Download XIMEA macOS Software:
http://www.ximea.com/downloads/recent/XIMEA_OSX_SP.dmg
- Mount it by double-clicking this file in Finder
- Run the install script to install XiAPI on your macOS system
- A window with package contents will open

Start XIMEA CamTool

- Connect camera
- Start Applications / XIMEA CamTool
- Start acquisition by clicking on orange triangle at upper left corner of CamTool



Short description

The CamTool is a cross-platform application showcasing the features of all XIMEA camera families. It runs on Windows, Linux, macOS systems offering a substantial imaging tool set, which can be further extended with custom modules using a plugin infrastructure. CamTool is based on Qt for the UI and xiAPI for the camera control. Its camera settings menu resembles the parameter set of the xiAPI.

4.3 XIMEA CamTool

CamTool allows to operate all connected cameras simultaneously. In this case all controls are layered for the cameras. Basic controls are placed as tabs in upper part of the window. Image window can be detached from application if needed. Amount of visible camera controls depend on visibility level which can be set in Edit → Options. For more information, please, visit our website page: [CamTool](#).



Figure 94: CamTool preview

Number	1	2	3	4	5
Description	Control panel	Image window	Analytics tools	Processing chain	Camera control

Table 56: CamTool layout

Functions

- To see live image from multiple XIMEA cameras connected
- Control the camera parameters
- Store of camera image and video
- Analyze the image properties
- Histogram and line profile
- Image averaging, image flip/mirror
- Software trigger timer, save/load camera and program settings
- LUT (Look up table)
- Lua scripting

4.4 XIMEA control panel

The XIMEA Control Panel (xiCOP), is a diagnostics and management tool for all XIMEA cameras. xiCOP is available for Windows (32, 64-bit) and Linux (64-bit) operating system.

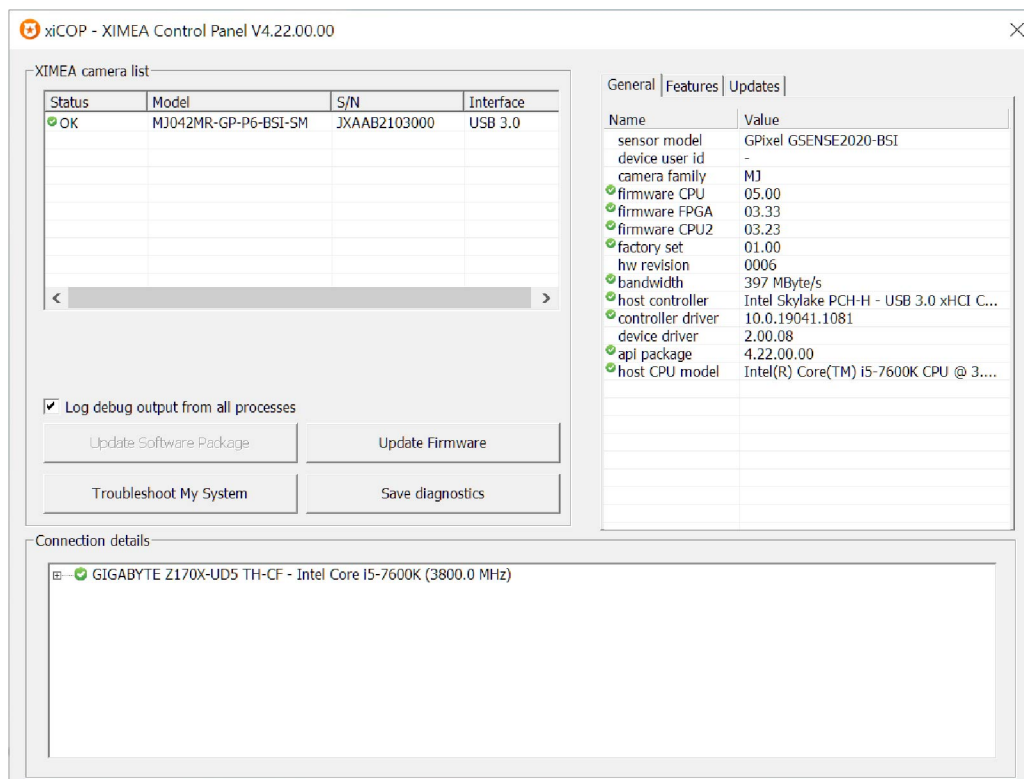


Figure 95: xiCOP example

Features

- Facilitates diagnostics of system performance bottlenecks
xiCOP is capable of retrieving the system's hardware tree, thus problematic hardware configurations can be identified
- Diagnosis of firmware and software compatibility
xiCOP checks relevant firmware and software versions and warns if a component is not up-to-date
- Lists all currently attached XIMEA devices and their features.
- Saves a diagnostic log and debug output which can be reviewed by technical support
- Suggests solution for diagnosed issues
- Allows setting of User IDs to XIMEA cameras
- One click to switch selected XIMEA cameras to USB3 Vision standard and back to XIMEA API
- One click update to the latest XIMEA API Software Package
- One click update of firmware in selected cameras

4.5 Supported vision libraries

All XIMEA cameras are compatible with the most advanced vision and image processing libraries. For GUI based software packages, the cameras can be directly accessed without the need of programming. Code libraries are generally used in conjunction with one of our APIs, in order to add additional functionality (e.g. image processing, communication, data storage).

For an up-to-date listing of the supported vision libraries and software packages, visit our website page: [Vision Libraries](#).

4.5.1 MathWorks MATLAB



MathWorks® is the leading developer and supplier of software for technical computing and Model-Based Design. More on our website page: [MathWorks MATLAB](#).

4.5.2 MVTec HALCON



HALCON is the comprehensive standard software for machine vision with an integrated development environment (IDE) that is used world-wide. More on our website page: [MVTec HALCON](#).

4.5.3 National Instruments LabVIEW vision library



LabVIEW is a graphical programming environment. More on our website page: [National Instruments LabVIEW Vision Library](#).

4.5.4 OpenCV



OpenCV is an open-source library of programming functions mainly aimed at real time computer vision. More on our website page: [OpenCV](#)

4.6 Programming

Depending on the target application, the user can choose between several ways of accessing and controlling the camera. These can be divided into two categories: a programmatic approach, through programming code, or an integrated approach, through a supported, GUI based software package. The programmatic approach is generally used for the development of a custom application or image processing pipeline. The integrated approach is favored, if the specific toolset of a certain software package is sufficient and the camera serves as an integrated capture device.

4.6.1 Standard interface

As an alternative to the proprietary API, the camera can be accessed through a set of standard interfaces. These interfaces decouple a specific hardware design (e.g. physical interface) of a camera from its control in software. Therefore, multiple camera classes and types can be used in a unified way.

GenICam/GenTL

GenICam/GenTL provides a camera-agnostic transport layer interface to acquire images or other data and to communicate with a device. Each camera serves as a GenTL Producer which can be accessed in all software packages that are compatible with the GenICam standard, as well as through custom developments which implement this standard interface. For more information on programming according the GenICam standard, please visit the standard's website at www.emva.org.

4.6.2 xiAPI

xiAPI stands for XIMEA Application Programming Interface. It is a common interface for all XIMEA cameras.

Architecture

API is a software interface between the camera system driver and application.

- On Windows: xiAPI is compiled into xiapi32.dll or xiapi64.dll
- On Linux: xiAPI is compiled into /usr/lib/libm3api.so

Installation

xiAPI is part of all current XIMEA software packages for Windows, Linux and MacOS. For information on the software packages, see [XIMEA Software Packages](#).

xiAPI functions description

The core of xiAPI consists of the following functions, which allow controlling of the camera functionality.

```
// get the number of discovered devices.
XI_RETURN xiGetNumberDevices(OUT DWORD *pNumberDevices);

// open interface
XI_RETURN xiOpenDevice(IN DWORD DevId, OUT PHANDLE hDevice);

// get parameter
XI_RETURN xiGetParam(IN HANDLE hDevice, const char* prm, void* val,
    DWORD * size, XI_PRM_TYPE * type);

// set parameter
XI_RETURN xiSetParam(IN HANDLE hDevice, const char* prm, void* val,
    DWORD size, XI_PRM_TYPE type);
```

```
// start the data acquisition
XI_RETURN xiStartAcquisition(IN HANDLE hDevice);

// acquire image and return image information
XI_RETURN xiGetImage(IN HANDLE hDevice, IN DWORD TimeOut, INOUT XI_IMG * img);

// stop the data acquisition
XI_RETURN xiStopAcquisition(IN HANDLE hDevice);

// close interface
XI_RETURN xiCloseDevice(IN HANDLE hDevice);
```

xiAPI parameters description

For a complete list of available parameters, please visit the xiAPI online manual at [xiAPI Manual](#). All functions in xiAPI return status values in form of the XI_RETURN structure which is defined in xiApi.h. If a parameter is not supported by a certain camera, the return value will represent a respective error code (e.g. 106 - Parameter not supported).

Note: Since xiAPI is a unified programming interface for all of XIMEA's cameras, not all of the described parameters apply for every camera and sensor model.

xiAPI examples

Connect device

This example shows the enumeration of available devices. If any device was found the first device (with index 0) is opened.

```
HANDLE xiH = NULL;

// Get number of camera devices
DWORD dwNumberOfDevices = 0;
xiGetNumberDevices(&dwNumberOfDevices);

if (!dwNumberOfDevices)
{
    printf("No camera found\n");
}
else
{
    // Retrieving a handle to the camera device
    xiOpenDevice(0, &xiH);
}
```

Parameterize device

This example shows how an exposure time is set. Next, the maximum possible downsampling rate is retrieved and the result is set as new downsampling rate.

```
// Setting "exposure" parameter (10ms)
int time_us = 10000;
xiSetParam(xiH, XI_PRM_EXPOSURE, &time_us, sizeof(time_us), xiTypeInteger);

// Getting maximum possible downsampling rate
int dspl_max = 1;
xiGetParamInt(xiH, XI_PRM_DOWNSAMPLING XI_PRM_INFO_MAX, &dspl_max);

// Setting maximum possible downsampling rate
xiSetParamInt(xiH, XI_PRM_DOWNSAMPLING, dspl_max);
```

Acquire images

This example shows how the acquisition is started on the device with the handle xiH, ten images are acquired in a row and the acquisition is stopped.

```

        xiStartAcquisition(xiH);

#define EXPECTED_IMAGES 10
for (int images=0;images < EXPECTED_IMAGES;images++)
{
// getting image from camera
xiGetImage(xiH, 5000, &image);
printf("Image %d (%dx%d) received from camera\n", images,
(int)image.width, (int)image.height);
}
xiStopAcquisition(xiH);

```

Hardware trigger and exposure active output

In this setup each image is triggered by a Digital Input Trigger. After the image is triggered, it can be transferred using xiGetImage. This setup ensures a low latency between the trigger signal and image Exposure start.

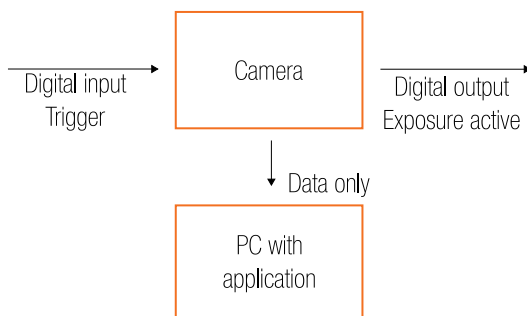


Figure 96: GPIO scheme

```

        HANDLE xiH;
xiOpenDevice(0, & xiH);

// select trigger source
xiSetParamInt(xiH, XI_PRM_TRG_SOURCE, XI_TRG_EDGE_RISING);

// select input pin 1 mode
xiSetParamInt(xiH, XI_PRM_GPI_SELECTOR, 1);
xiSetParamInt(xiH, XI_PRM_GPI_MODE, XI_GPI_TRIGGER)

// set digital output 1 mode
xiSetParamInt(xiH, XI_PRM_GPO_SELECTOR, 1);
xiSetParamInt(xiH, XI_PRM_GPO_MODE, XI_GPO_EXPOSURE_ACTIVE);

xiStartAcquisition(handle1);

// Trigger signal should start image exposure within timeout
#define TIMEOUT_IMAGE_WAITING_MS 10000
xiGetImage(handle, TIMEOUT_IMAGE_WAITING_MS, &image);
// process image here...

```

xiAPI Auto Bandwidth Calculation

xiAPI uses Auto Bandwidth Calculation (ABC) before the opening of each camera by default. After the measurement, 90% of the measured value is used as the maximum allowed transfer speed of the camera to ensure the stability of transfer.

It is important to set this parameter to XI_OFF to ensure highest possible data transfer speed.

To disable ABC, the application should set parameter XI_PRM_AUTO_BANDWIDTH_CALCULATION to XI_OFF before the first xiOpenDevice is used. This setting disabled ABC and the camera stream is not limited.

xiAPI.NET

XIMEA Application Programming Interface for Dot Net - Microsoft Visual C#. **xiAPI.NET** is designed as a wrapper around xiAPI and therefore shares most of its functionality.

xiApiPython

Applications in Python can access XIMEA cameras using **xiApiPython** interface. It is a wrapper around xiAPI, which integrates camera features and capabilities into PYTHON.

5 Appendix

5.1 Troubleshooting and support

This chapter explains how to proceed, if you have issues in bringing your camera to proper operation.

At first, please make sure that you have installed the latest version of the following XIMEA software package, based on your OS:

- [XIMEA Windows Software Package](#)
- [XIMEA Linux Software Package](#)
- [XIMEA macOS Software Package](#)

Please make sure, that you have connected your camera with the appropriate XIMEA cable to an appropriate port. Ensure that the connections are carefully locked. Follow the instructions described in section 4.3 (run the camera with the Ximea CamTool). In case that you still have issues, please read the following chapters.

5.1.1 Worldwide support

We offer worldwide first level support to you by our partners. Please refer to your local dealer if you need technical support for your camera.

5.1.2 Before contacting technical support

There are several steps to take before contacting your local dealer for technical support. In case you cannot display images from your camera, please open the XIMEA xiCOP software (please see section 4.4). It will immediately start searching for connected cameras. Your camera will appear in the XIMEA camera list on the upper left side of the xiCOP window if it is connected properly and your USB interface meets the minimum system requirements described in section 4.1. If the camera does not appear, please proceed with the following steps:

- Step 1** Click on the button “Troubleshoot My System” and follow the instructions that are suggested.
- Step 2** If step 1 does not lead to a positive result, please click the button “Save diagnostics”. Keep the diagnostic file ready for providing it to support.
- Step 3** Contact your local dealer where you bought the camera either by phone or by email for first level support. They will decide if they can help you immediately or if more information is necessary for initiating the next steps.

5.2 Frequently Asked Questions

- [Frequently Asked Questions](#)
- [Knowledge Base](#)

5.3 Product service request (PSR)

If you experienced any unexpected behavior of your camera, please, follow the steps described below:

Step 1 – Contact support

If your camera is not working as expected, please, contact your local dealer for troubleshooting the product and determine the eligibility of a Product Service Request ([Product Service Request \(PSR\)](#)). In case you were asked to create a [PSR](#) by your local contact, please continue to [Step 2](#).

NOTE: Your product must be UNDER WARRANTY in order to qualify for a free repair or replacement.

Step 2 – Create product service request (PSR)

- Read the [XIMEA General Terms & Conditions](#)
- Open the [XIMEA Helpdesk](#)
- Set field Department to “Service”
- Fill in all fields
- Confirm with the button “Submit”

Step 3 – Wait for [PSR](#) approval

Our support personnel will verify the [PSR](#) for validity. If your [PSR](#) is valid and no further information is required, the [PSR](#) will be approved within 3 business days. After that you will get a notification email contains the shipping instructions. When you received the [PSR](#) Approval email – please continue to [Step 4](#). In case your [PSR](#) was rejected – please do not send the product to XIMEA.

Step 4 – Sending the camera to XIMEA

If possible, send the camera back in the original package. If not possible, please pack the camera in a way that it cannot be damaged during shipment and send it back as described in the [PSR](#) Approval email that you have received.

Step 5 – Waiting for service conclusion

Once we have received the camera, we will send you a notification. The XIMEA Service will then check the status of the camera that you have sent for a possible repair. Depending on warranty conditions, product status and agreement one of the following operations will be performed:

	Operation	Repair costs paid by	Return delivery costs paid by
	repaired in warranty	XIMEA	XIMEA
	replaced in warranty	XIMEA	XIMEA
	repaired for cost	Customer	Customer
	not repaired and returned	—	Customer
	not repaired and discarded if requested by customer	—	—

Table 57: Service operations overview

If the camera will be returned, you will receive the tracking number. In this case, please continue to [Step 6](#).

Step 6 – Waiting for return delivery

After you have received the return shipment, please confirm it by changing the status of the [PSR](#) to “Received by customer”.

NOTE: If you have any problems accessing the links below, please contact our [Support Team](#) at www.ximea.com.

5.4 Safety instructions and precautions

Safety instructions and precautions are available at the following XIMEA webpage: [Safety instructions and precautions](#).

5.5 Warranty

Information about warranty is available at the following XIMEA webpage: [Warranty](#).

5.6 Standard Terms & Conditions of XIMEA GmbH

The Standard Terms and Conditions are available at the following XIMEA webpage: [General Terms and Conditions](#).

5.7 List of Trademarks

List of Trademarks is available at the following XIMEA webpage: [List of Trademarks](#).

5.8 Copyright

All texts, pictures and graphics are protected by copyright and other laws protecting intellectual property. It is not permitted to copy or modify them for trade use or transfer, nor may they be used on websites.

Glossary

- API** Application Programming Interface 84
- CMOS** Complementary Metal-Oxide-Semiconductor 85
- ESD** Electrostatic discharge 52
- FPGA** Field Programmable Gate Array 81
- FPS** Frame Per Second 83
- PSR** Product Service Request 110
- ROI** Region Of Interest 81
- SDK** Software Development Kit 10

List of Figures

1	Standard conformity CE logo	3
2	Standard conformity UKCA logo	3
3	Standard conformity FCC logo	3
4	Standard conformity RoHS logo	4
5	Standard conformity WEEE logo	4
6	Camera with accessory & cooling options	14
7	Diagram of accessories and specific connections for the xiX-XL camera family	15
8	Lens mount adapter C-Mount 60mm (left) , camera with adapter (right)	18
9	Lens mount adapter EF-mount (left) , camera with adapter (right)	18
10	Lens mount adapter M72-mount (left) , camera with adapter (right)	19
11	xiX-XL camera mounting points	20
12	xiX-XL camera mounting points (MX610)	20
13	M2 mounting screws	21
14	M4 mounting screws	21
15	Cross section of MX1018xR-SY-X4G3-FF camera models	22
16	Cross section of MX1510xR-SY-X4G3-FF camera models	23
17	Cross section of MX2457xR-SY-X4G3-FF camera models	24
18	Cross section of MX610xR-SY-X4G3-FF camera models	24
19	Graph quantum efficiency of Sony IMX461	40
20	Graph quantum efficiency of Sony IMX411	40
21	Graph quantum efficiency of Sony IMX811	41
22	Graph quantum efficiency of Sony IMX455	41
23	Dimensional drawing of MX1018xR-SY-X4G3-FF	43
24	Dimensional drawing of MX1510xR-SY-X4G3-FF	44
25	Dimensional drawing of MX2457xR-SY-X4G3-FF	45
26	Dimensional drawing of MX610xR-SY-X4G3-FF	46
27	Dimensional drawing of MX1018xR-SY-X4G3-FF with detached sensor sub-assembly	47
28	Dimensional drawing of MX1510xR-SY-X4G3-FF with detached sensor sub-assembly	48
29	Dimensional drawing of MX2457xR-SY-X4G3-FF with detached sensor sub-assembly	49
30	Dimensional drawing of MX610xR-SY-X4G3-FF with detached sensor sub-assembly	50
31	Position of LEDs on xiX-XL camera	51
32	PCIe / FireFly connector location	52
33	PCIe / FireFly connector pinout	53
34	IO connectors position	55
35	CBL-PB4-PWR-0M15	60
36	CBL-PB6-PT-0M30	60
37	CBL-ECUE-X4G3-1M0	60
38	X4G3 cameras with HQCD cable	61
39	HQCD cable	61
40	Detaching rear sub-assembly	62
41	ESD rings	62
42	Detaching heatsink	62
43	CB-X8G3-FAN-COOLER-KIT spring pins	62
44	CB-X8G3-FAN-COOLER	63
45	Dimensional drawing of CB-X8G3-FAN-COOLER	63
46	CB-X8G3-WAT-COOLER	64
47	Dimensional drawing of CB-X8G3-WAT-COOLER-KIT	64
48	MECH-60MM-BRACKET-T	66
49	Dimensional drawing of MECH-60MM-BRACKET-T	66
50	MECH-60MM-EF-ADAPTER	67
51	Dimensional drawing of MECH-60MM-EF-ADAPTER	67
52	Camera without and with C-mount LA-C-MNT-60MM-KIT lens adapter	68
53	Lens adapter / camera with ME-LA-80MM-M72-L-KIT lens adapter	69
54	ME-LA-80MM-M72-L optical path	69
55	Dimensional drawing of ME-LA-80MM-M72-L	69
56	ADPT-MX-X4G3-FF-X4G3-MTP dimensional drawing	70

57	ADPT-MX-X4G3-FF-X4G3-MTP IO connector	71
58	MX610xR-SY-X4G3-FF with MTP adapter and fan cooling	72
59	MX610xR-SY-X4G3-FF with MTP adapter and water cooling	72
60	CBL-MT-PWR-SYNC-3M0 drawing	73
61	Wiring diagram of the CBL-MT-POWER-SYNC-3M0	73
62	ADPT-MX-X4G3-FF-X4G3-SFF	74
63	ADPT-MX-X4G3-FF-X4G3-SFF dimensional drawing	74
64	ADPT-MX-X4G3-FF-X4G3-SFF IO connector	75
65	MX610xR-SY-X4G3-FF with SFF adapter and fan cooling	76
66	MX610xR-SY-X4G3-FF with SFF adapter and water cooling	76
67	FireFly to MTP adapters	77
68	ADPT-1P-X4G3-FF-X4G3-MTP dimensional drawings	77
69	ADPT-1P-X8G3-FF-X8G3-MTP and ADPT-2P-X2G3-FF-X4G3-MTP dimensional drawings	78
70	ADPT-4P-X2G3-FF-X8G3-MTP dimensional drawings	78
71	PCIe host adapters	79
72	Dimensional drawing of host adapter HA-1P-X4G3-MTP-X8G3	79
73	Dimensional drawing of host adapter HA-2P-X4G3-MTP-X8G3	80
74	Dimensional drawing of host adapter HA-2P-X4G3-FF-X8G3	80
75	Acquisition mode - free run	83
76	Triggered burst of frames – frame burst start	84
77	Triggered burst of frames – frame burst active	84
78	Exposure defined by trigger pulse length	84
79	Global reset release mode - schematic	86
80	Global reset release mode - image horizontally moved object	86
81	Global reset release mode with flash - schematic	86
82	Rolling shutter mode - schematic	87
83	Rolling shutter mode image of a horizontally moved object	87
84	Rolling shutter mode image of a horizontally moved object, long exposure time	87
85	Rolling shutter mode with flash - schematic	87
86	Flat field correction - images comparison	89
87	Flat field correction - new FFC	89
88	Flat field correction - Dark image	90
89	Flat field correction - Mid- saturated image	90
90	Flat field correction - new preset	91
91	Flat field correction - Enabling FFC	91
92	Flat field correction - FFC management	91
93	Flat field correction - Safe TIFF	92
94	CamTool preview	102
95	xiCOP example	103
96	GPIO scheme	107

List of Tables

1	List of camera models and their respective sensor models and filters	12
2	Accessories overview	13
3	Power consumption of: MX1018CR-SY-X4G3-FF and MX1018MR-SY-X4G3-FF	16
4	Power consumption of: MX1510CR-SY-X4G3-FF and MX1510MR-SY-X4G3-FF	16
5	Power consumption of: MX2457CR-SY-X4G3-FF and MX2457MR-SY-X4G3-FF	16
6	Power consumption of: MX610CR-SY-X4G3-FF and MX610MR-SY-X4G3-FF	16
7	Environment	17
8	M2 screw description	21
9	M4 screw description	21
10	Sensor window details	22
11	Sensor window details	23
12	Sensor window details	24
13	Sensor window details	25
14	Sensor parameters of: MX1018CR-SY-X4G3-FF and MX1018MR-SY-X4G3-FF	27
15	Sensor parameters of: MX1510CR-SY-X4G3-FF and MX1510MR-SY-X4G3-FF	27
16	Sensor parameters of: MX2457CR-SY-X4G3-FF and MX2457MR-SY-X4G3-FF	27
17	Sensor parameters of: MX610CR-SY-X4G3-FF and MX610MR-SY-X4G3-FF	28
18	Image quality parameters of: MX1018CR-SY-X4G3-FF and MX1018MR-SY-X4G3-FF	29
19	Image quality parameters of: MX1510CR-SY-X4G3-FF and MX1510MR-SY-X4G3-FF	30
20	Image quality parameters of: MX2457CR-SY-X4G3-FF	31
21	Image quality parameters of: MX2457MR-SY-X4G3-FF	32
22	Image quality parameters of: MX610CR-SY-X4G3-FF	33
23	Image quality parameters of: MX610MR-SY-X4G3-FF	34
24	Sensor read-out modes of: MX1018CR-SY-X4G3-FF and MX1018MR-SY-X4G3-FF	35
25	Sensor read-out modes of: MX1510CR-SY-X4G3-FF and MX1510MR-SY-X4G3-FF	36
26	Sensor read-out modes of: MX2457CR-SY-X4G3-FF	37
27	Sensor read-out modes of: MX2457MR-SY-X4G3-FF	38
28	Sensor read-out modes of: MX610CR-SY-X4G3-FF and MX610MR-SY-X4G3-FF	39
29	Camera parameters of: MX1018CR-SY-X4G3-FF and MX1018MR-SY-X4G3-FF	42
30	Camera parameters of: MX1510CR-SY-X4G3-FF and MX1510MR-SY-X4G3-FF	42
31	Camera parameters of: MX2457CR-SY-X4G3-FF and MX2457MR-SY-X4G3-FF	42
32	Camera parameters of: MX610CR-SY-X4G3-FF and MX610MR-SY-X4G3-FF	42
33	LED output during power up of: all models in this manual (refer to the table Models and sensors overview)	51
34	LED statuses during boot sequence of: all models in this manual (refer to the table Models and sensors overview)	51
35	Firefly interface mating connector description	52
36	FireFly UEC8 connector pin assignment	53
37	FireFly UEC5 connector pin assignment	54
38	Firefly connector I/O pin assignment	55
39	GPIO mating connector description	55
40	Power connector pin assignment	55
41	I/O connector pin assignment	56
42	General info for optically isolated digital input	57
43	General info for optically isolated digital output	58
44	General info for non-isolated digital in/out trigger lines	59
45	CBL-PB4-PWR-0M15 description	60
46	CBL-PB6-PT-0M30 description	60
47	HQCD cable - available lengths	61
48	Mechanical parameters of CB-X8G3-FAN-COOLER	63
49	Parameters of MECH-60MM-BRACKET-T	66
50	Mechanical parameters of MECH-60MM-EF-ADAPTER	67
51	ADPT-MX-X4G3-FF-X4G3-MTP IO pin assignment	71
52	CBL-MT-POWER-SYNC-3M0 pin assignment	73
53	ADPT-MX-X4G3-FF-X4G3-SFF IO pin assignment	75
54	Image data output formats	82
55	Image data output formats	82
56	CamTool layout	102

57 Service operations overview 110

