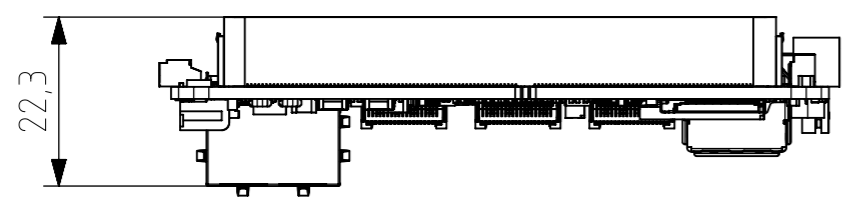
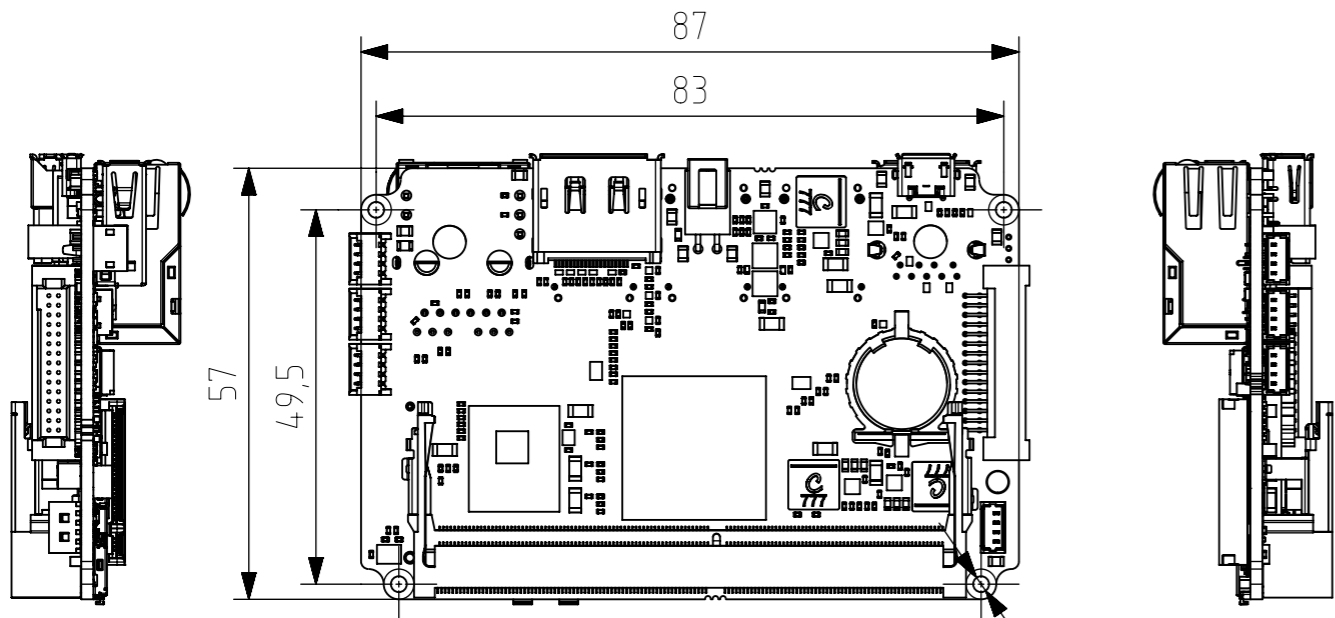


1 2 3 4 5 6 7 8

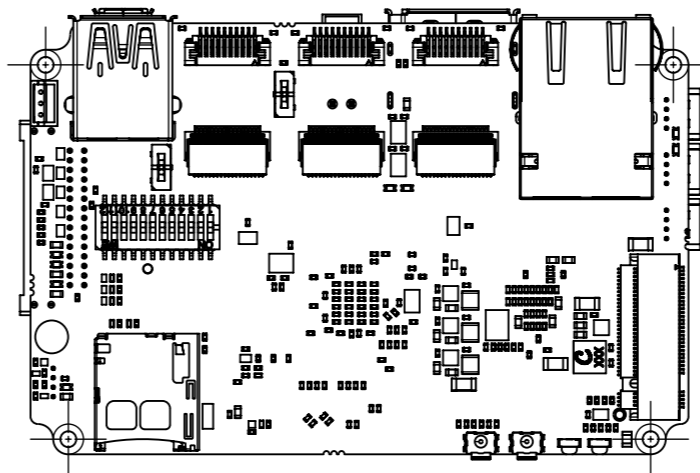
A



B

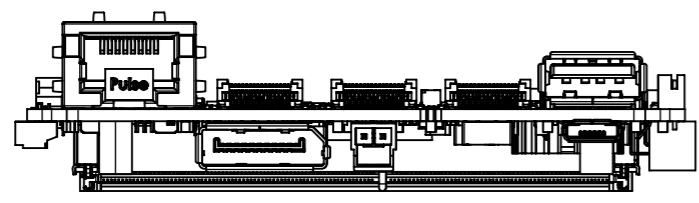


4x Ø 2,1



C

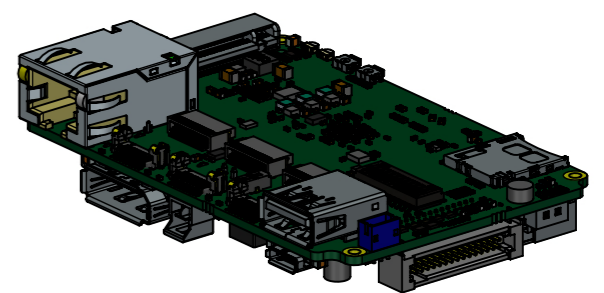
←



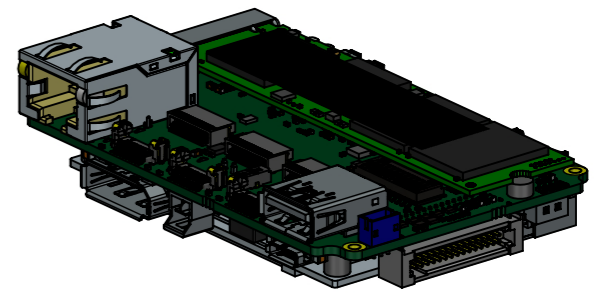
D

E

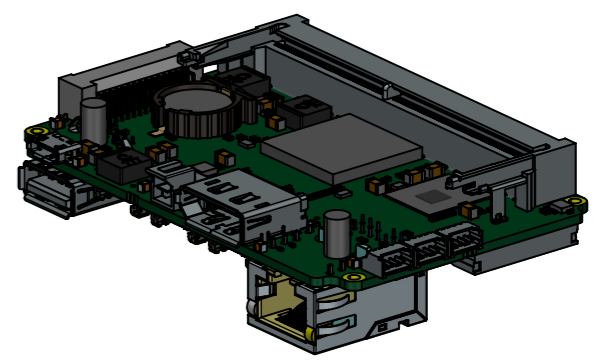
F



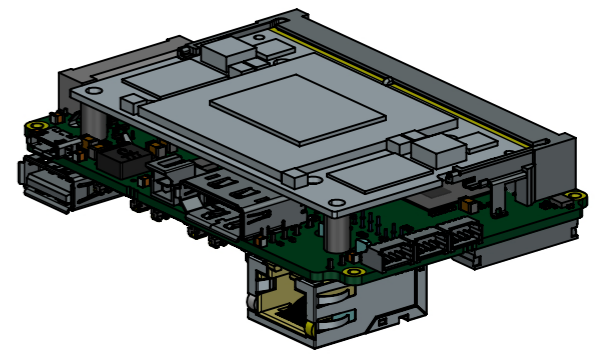
Without SSD and Nvidia Jetson NX Xavier



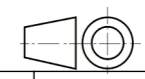

With SSD and Nvidia Jetson NX Xavier



Without SSD and Nvidia Jetson NX Xavier



With SSD and Nvidia Jetson NX Xavier

Designed	Date:	Name:	PN:	Customer PN:	Surface Quality:
Drawn	-	R&D	XEC-NX-3P-X2G3-PCA	NA	Ra
Approved	2024-01-08	GS		Material:	Surface Finish:
QC			PN MFG	First angle projection 	Weight:
MFGP					
Department:	R&D	Default tolerances:	Change	Date	Name
			Units:	Scale: 2:1	Format
			mm		A3
Doc Type:	PART REVISION	DOCUMENT REVISION	Page:		
EU	02	A	1 of 1		

1 2 3 4 5 6 7 8