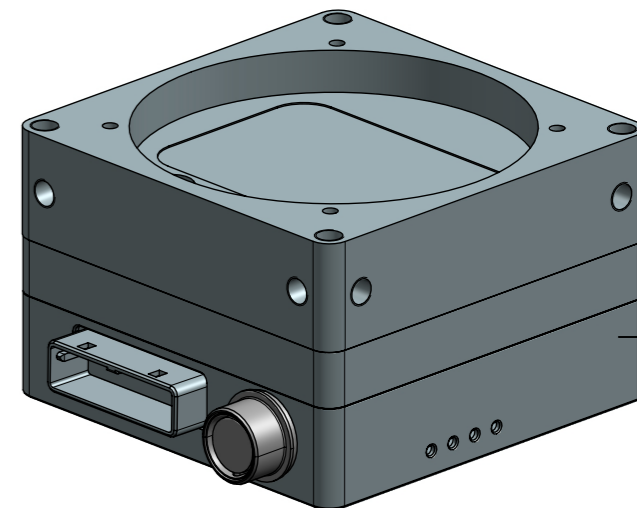
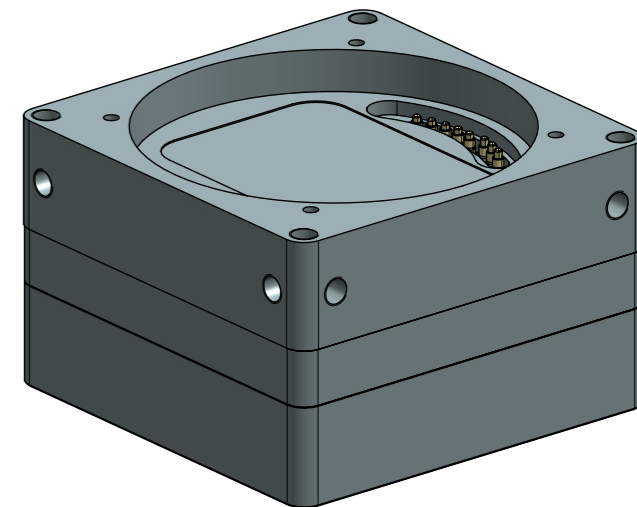
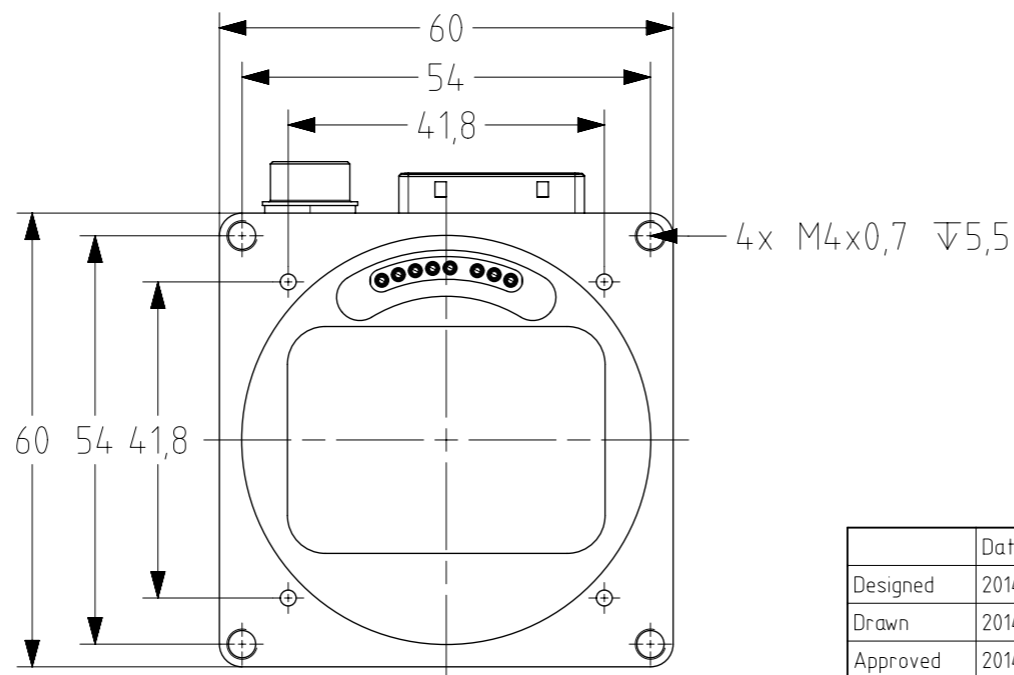
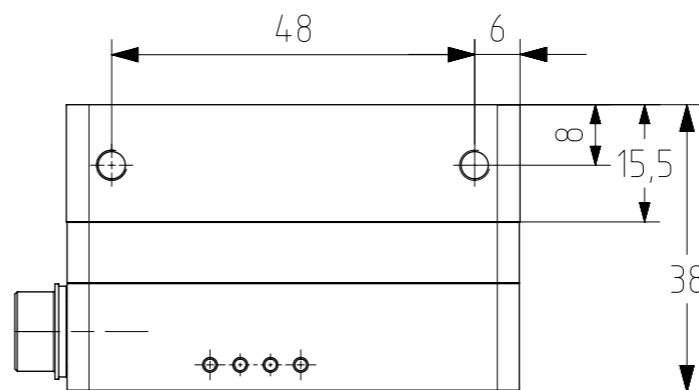
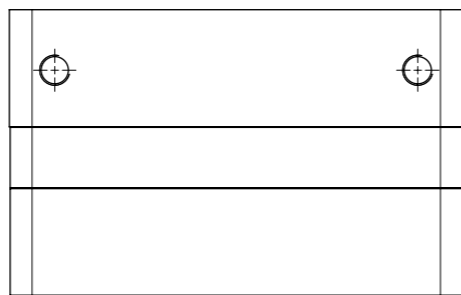
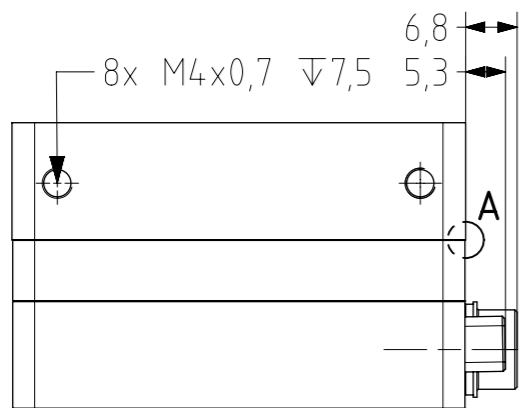
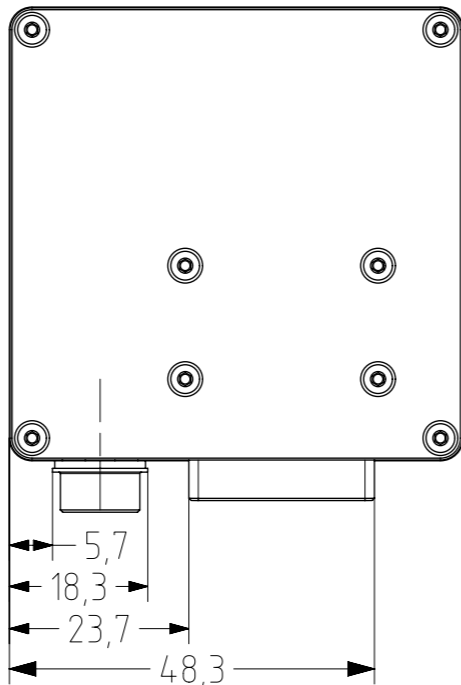


DETAIL A  
SCALE 10:1



This drawings is the property of XIMEA GmbH. No use thereof shall be made other than as a reference for proposals as submitted to XIMEA GmbH for jobs to be executed in conformity with such proposals unless the consent of said XIMEA GmbH has previously been obtained. No part of this drawing shall be copied or duplicated or its contents disclosed. The information contained on this drawing is confidential and proprietary.

Date:	20140512	Name:	KLIMKOVIC	PN:	CB200		Customer PN:	Surface Quality:		
Designed	20140512	Drawn	20140723	SPANO	Project Class CB Top Level Assembly		Material:	Surface Finish:		
Approved	20140723	LARIN	QC	ALU 6061			OPTICAL BLACK			
MFGP							Weight:			
Department:	R&D	Default tolerances:	ISO2768-m-H	Change	Date	Name	Units:	Scale: 1:1	Format	
				Edges	ISO 13715		mm		A3	
				Surface	ISO 1302		Doc Type:	Part Doc:	Version Revision	Page:
							EU		3.0	1 of 1

