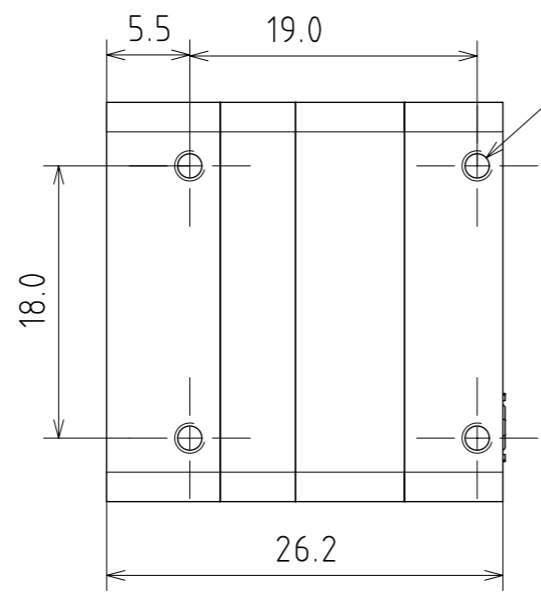
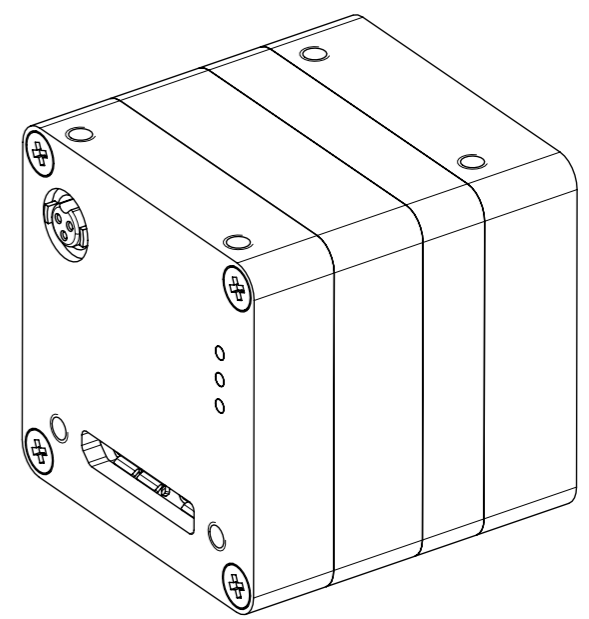
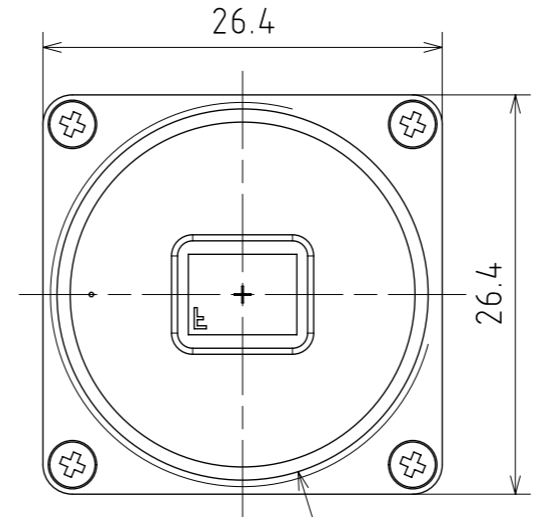
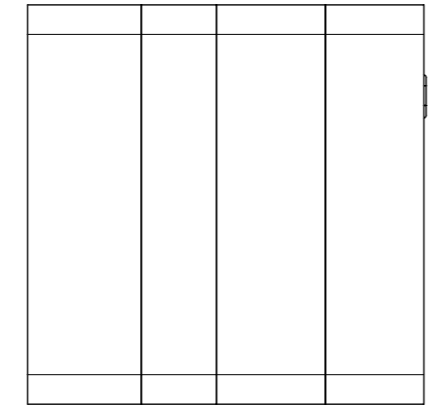
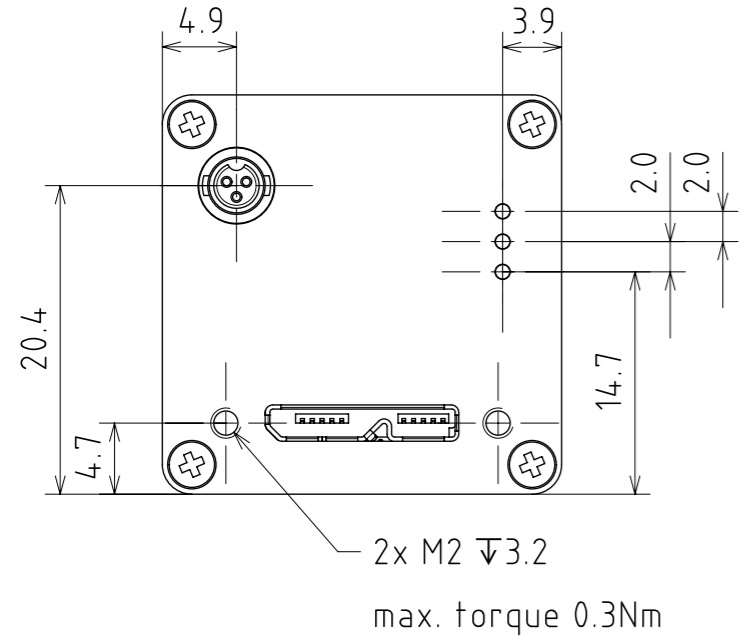
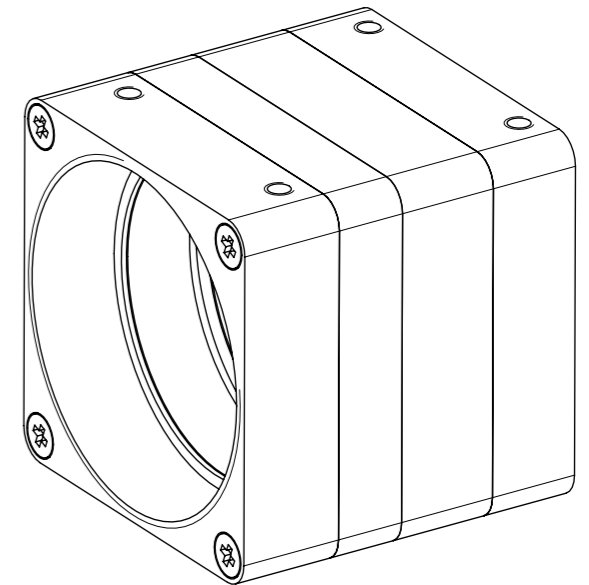
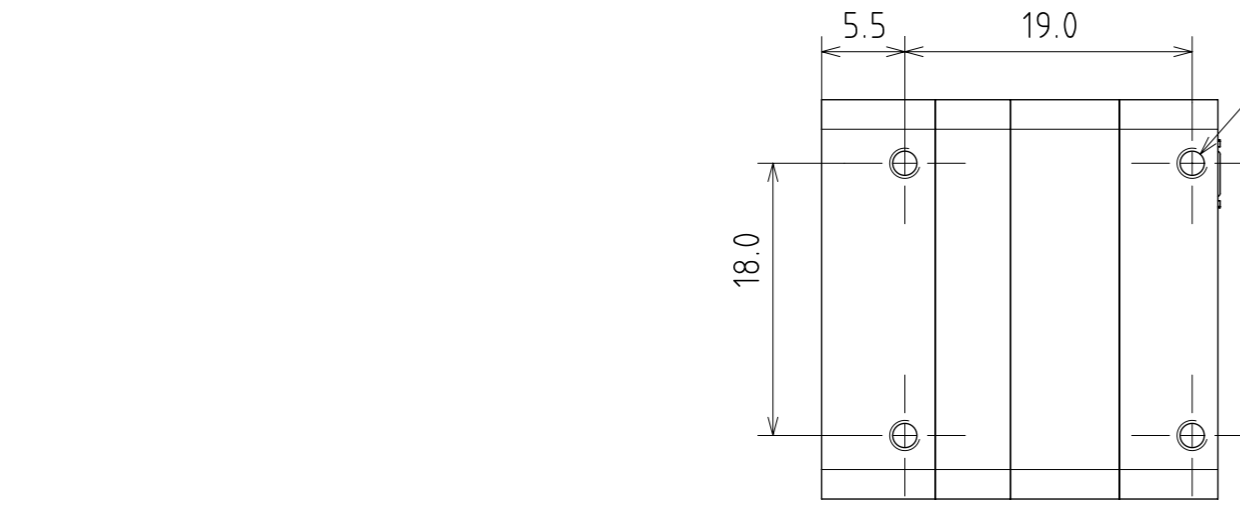


This drawing is the property of XIMEA. No use thereof shall be made other than as a reference for proposals as submitted to XIMEA for jobs to be executed in conformity with such proposals unless the consent of XIMEA has previously been obtained. No part of this drawing shall be copied or duplicated or its contents disclosed. Information contained on this drawing is confidential and proprietary.



Date:	20140801	Name:	LIZARD	PN:	MQ013xG-E2-C			Customer PN:	NA	Surface Quality:	Ra 32		
Designed	20140801	Drawn	20140801	LIZARD	Project Class MQ-XX-XX-XX Top Level Assembly			Material:	ENAW6061	Surface Finish:	Black Anodized		
Approved	20140801	QC	20140801	LIZARD				Weight:	27g				
MFGP	20140801	Department:	LIZARDTECH	Default tolerances:	ISO2768-f	Units:	mm	Scale:	1:1	Format:	A3		
				Change	Date	Name	Doc Type:	EU	Part Doc:	Version Revision	1B	Page:	1 of 1
				Document Nr:			DRW-MQ013xG-E2-C-EU-1B						