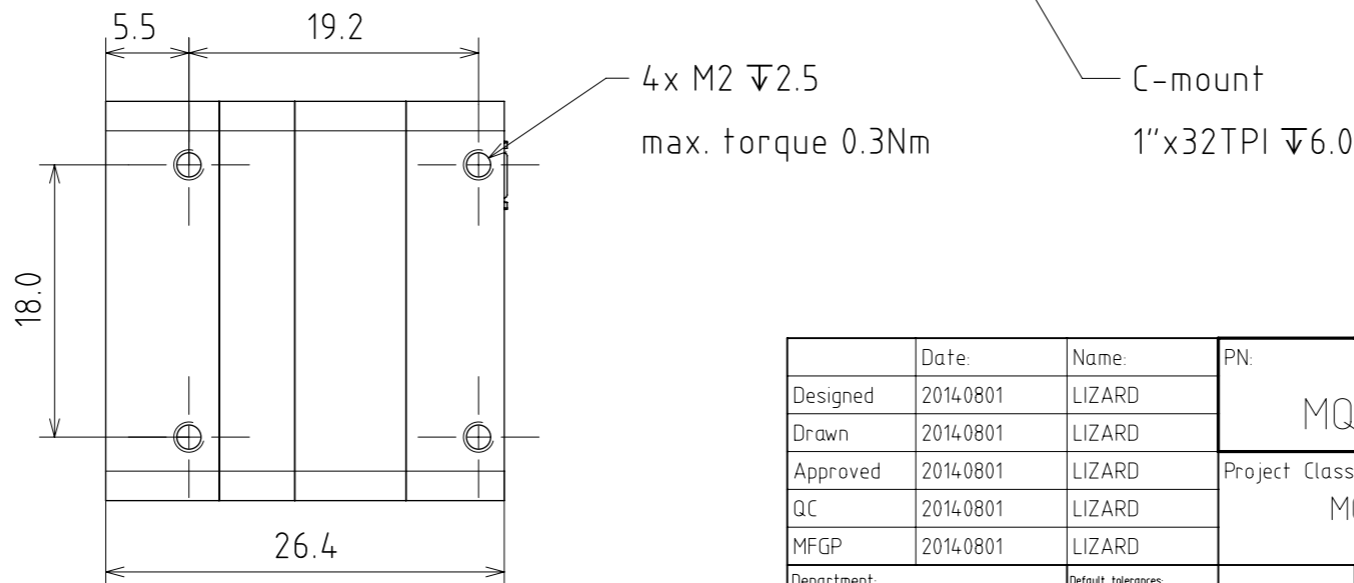
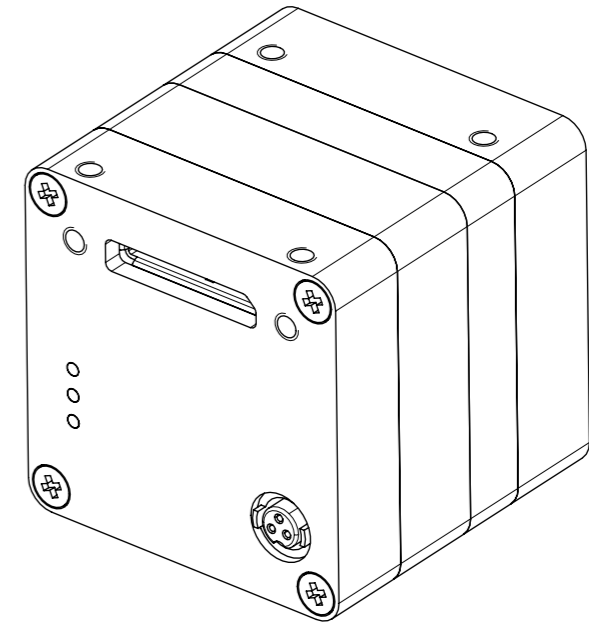
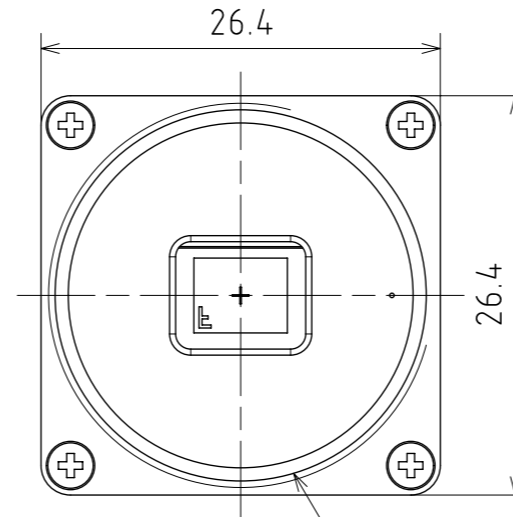
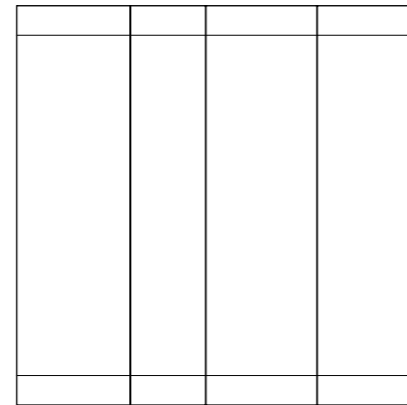
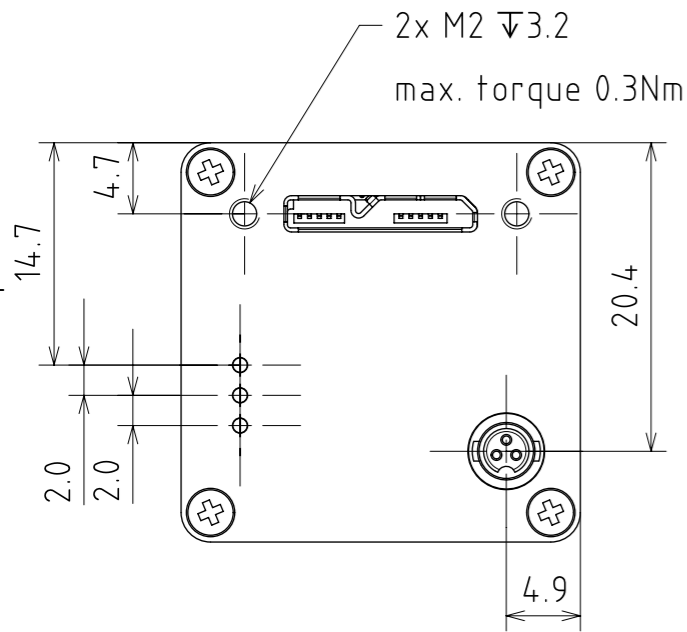
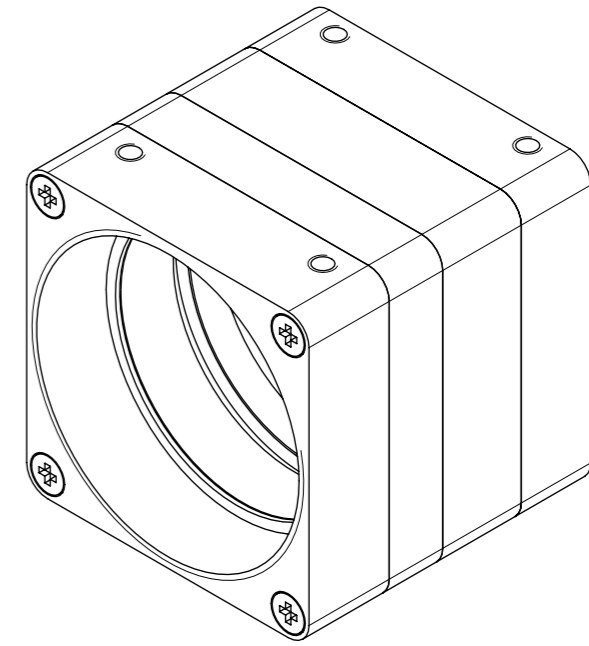
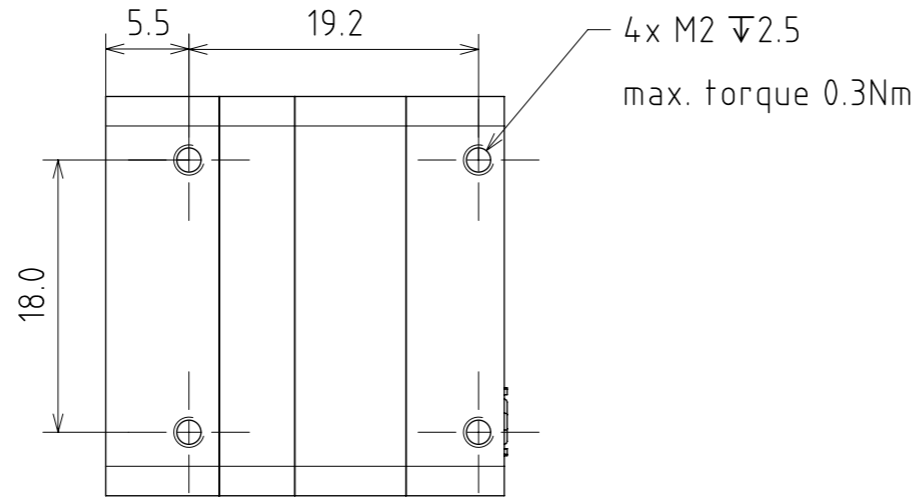


This drawing is the property of XIMEA GmbH. No use thereof shall be made other than as a reference for proposals as submitted to XIMEA GmbH for jobs to be executed in conformity with such proposals unless the consent of said XIMEA GmbH has previously been obtained. No part of this drawing shall be copied or duplicated or its contents disclosed. The information contained on this drawing is confidential and proprietary.



Date:	20140801	Name:	LIZARD	PN:	MQ013xG-ON-C		Customer PN:	NA	Surface Quality:	Ra 32		
Designed	20140801	Drawn	20140801	LIZARD	Project Class		Material:	ENAW6061	Surface Finish:	Black anodized		
Approved	20140801	QC	20140801	LIZARD	MQ-XX-XX-XX		First angle projection	Weight:				
MFGP	20140801	Department:	R&D	Default tolerances:	Top Level Assembly		Units:	mm	Scale:	2:1	Format:	A3
				ISO2768-f	Change	Date	Name	Doc Type:	Part Doc:	Version Revision	Page:	1B 1 of 1
ximea					Document Nr:			EU	DRW-MQ013xG-ON-C-EU-1B		1B	1 of 1