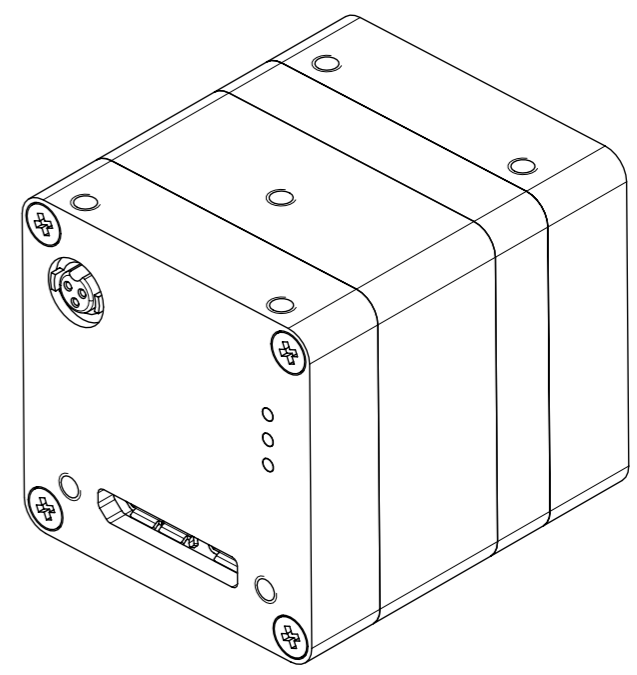
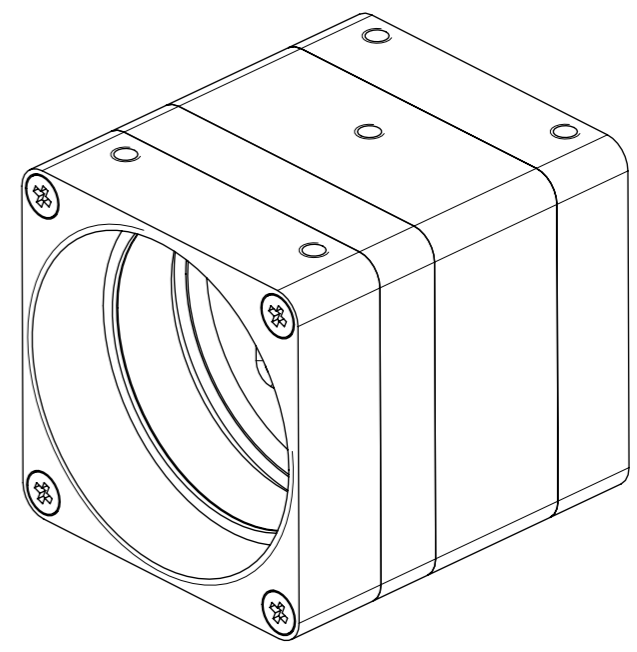
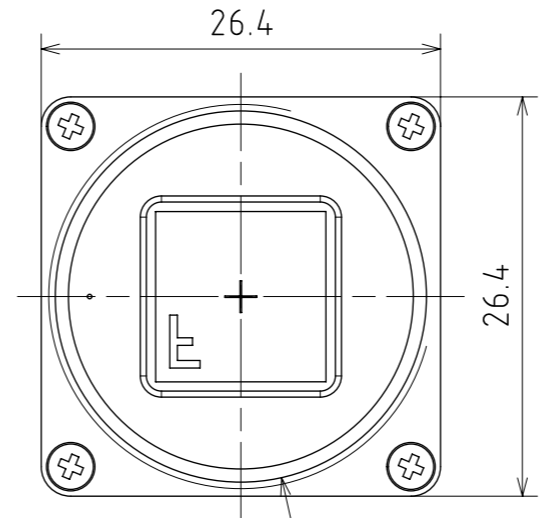
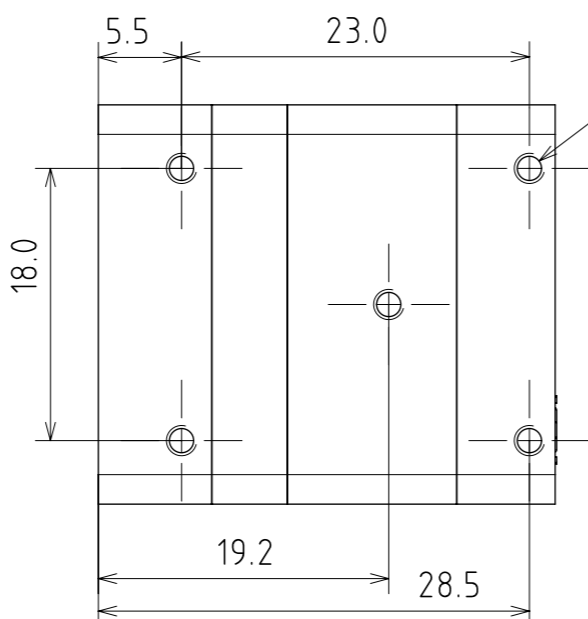
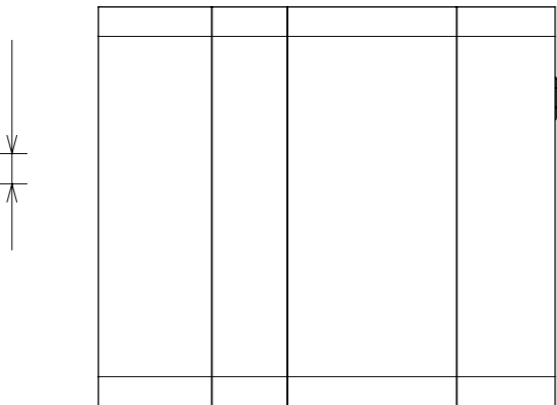
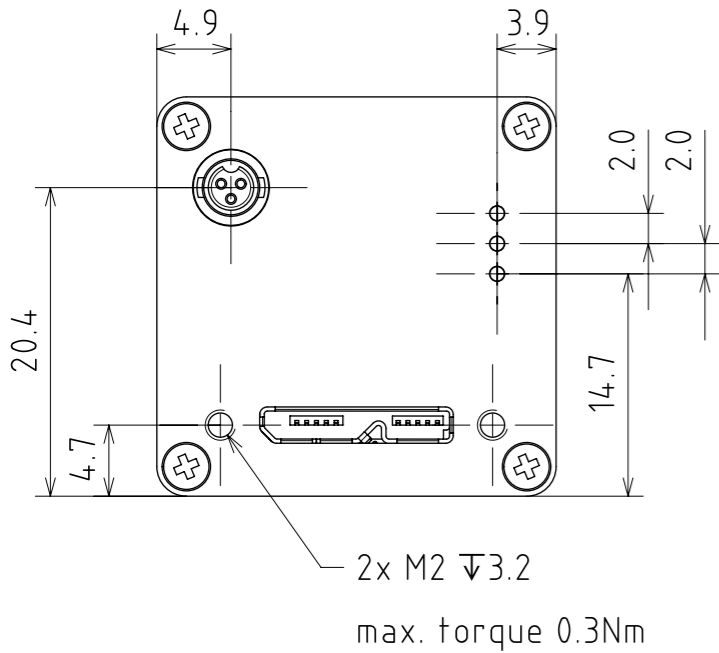
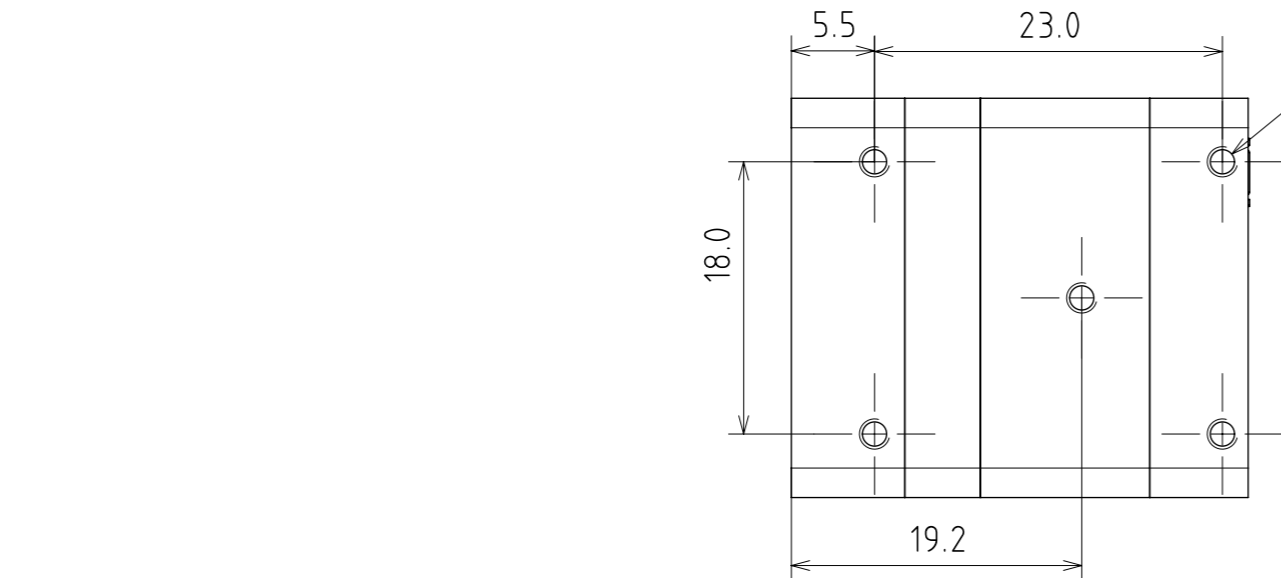


This drawing is the property of XIMEA GmbH. No use thereof shall be made other than as a reference for proposals as submitted to XIMEA GmbH for jobs to be executed in conformity with such proposals unless the consent of said XIMEA GmbH has previously been obtained. No part of this drawing shall be copied or duplicated or its contents disclosed. The information contained on this drawing is confidential and proprietary.



Designed	20140801	LIZARD	PN:	MQ042xG-CM-C		Customer PN:	NA	Surface Quality:	Ra 32
Drawn	20140801	LIZARD	Project Class		MQ-XX-XX-XX	Material:	ENAW6061	Surface Finish:	Black anodized
Approved	20140801	LIZARD	Top Level Assembly			Weight:	27g		
QC	20140801	LIZARD	Change	Date	Name	Units:	mm	Scale:	2:1
MFGP	20140801	LIZARD	Document Nr:		DRW-MQ042xG-CM-C-EU-1B	Doc Type:	EU	Part Doc:	Version Revision
Department:	R&D	Default tolerances:	ISO2768-f			Page:	1B	1 of 1	

