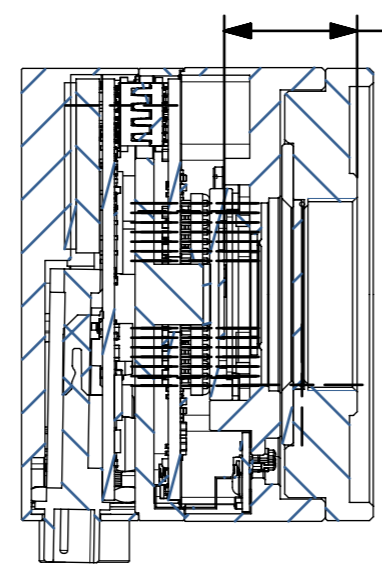
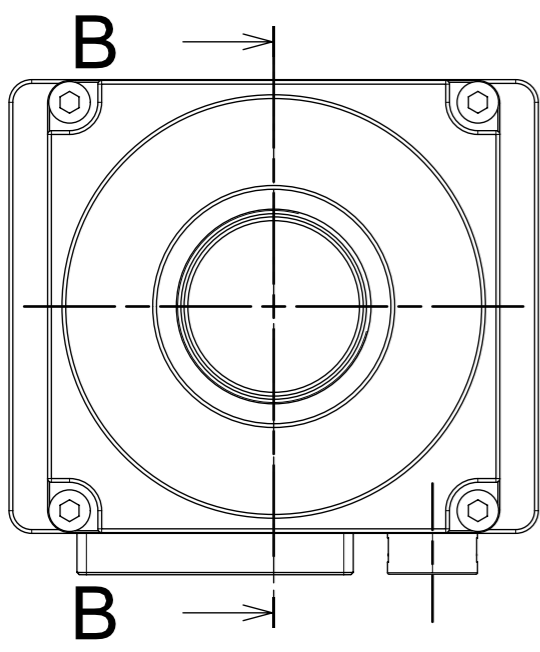


SECTION A-A

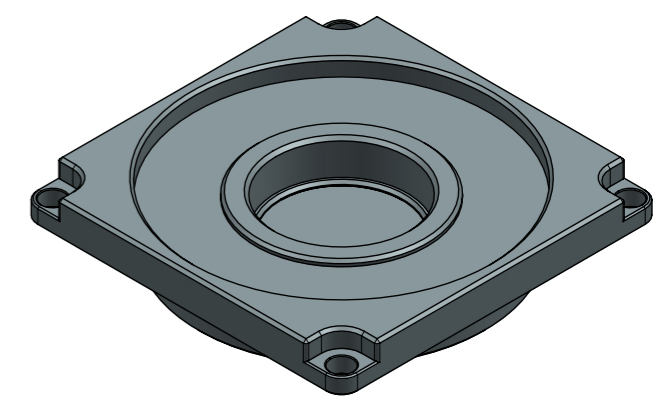
1"x32TPI UN ∇ 6

ϕ 55
 $17,57 \pm 0,2$
 4x ϕ 4,2
 4x ϕ 7,5

Flange focal distance for Cmount adapter



SECTION B-B



This drawings is the property of XIMEA s.r.o. No use thereof shall be made other than as a reference for proposals as submitted to XIMEA s.r.o for jobs to be executed in conformity with such proposals unless the consent of said XIMEA s.r.o. has previously been obtained. No part of this drawing shall be copied or duplicated or its contents disclosed. The information contained on this drawing is confidential and proprietary.

A	GS 20171121	ORIGINAL PART									
Designed	20171025	Name:	SPAN0	PN:	LA-C-MNT-60MM-IR650	Customer PN:	NA	Surface Quality:			
Drawn	20171121	Name:	SPAN0	PN:		LA-C-MNT-60MM-BK7	Material:		Surface Finish:		
Approved	20171121	Name:	SPAN0	PN:	LA-C-MNT-60MM	First angle projection		Weight:			
QC	20171121	Name:	SPAN0	PN:		Units:	mm	Scale: 2:1	Format:	A3	
MFGP	20171121	Name:	SPAN0	PN:		Doc Type:	EU	PART REVISION	DOCUMENT REVISION	Page:	1 of 1
Department:	R&D	Default tolerances:	ISO2768-1	Change	Date	Name					
				Document Nr:			ASSEMBLY				