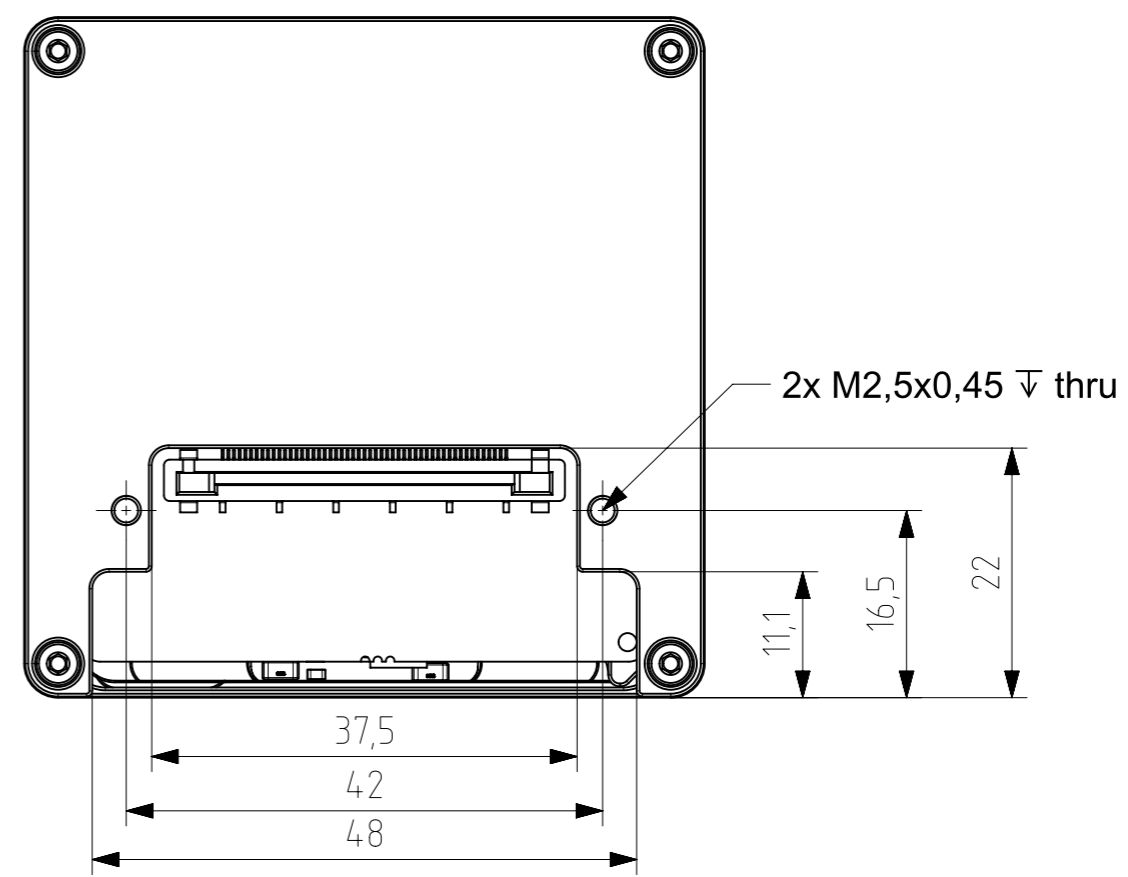
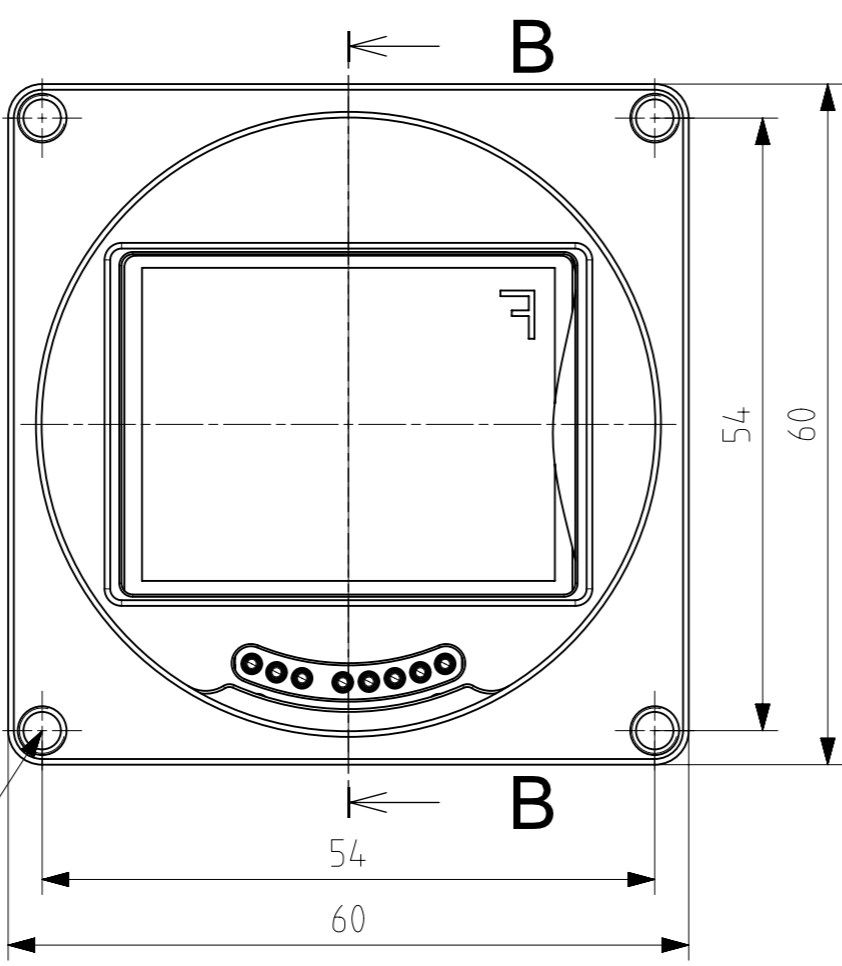
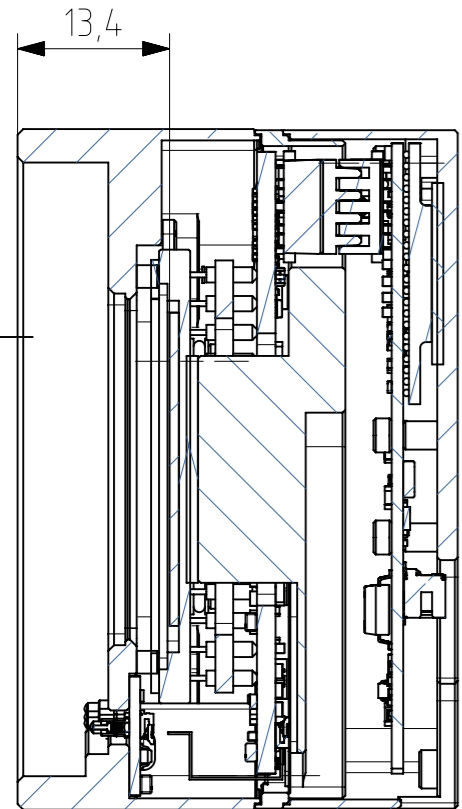
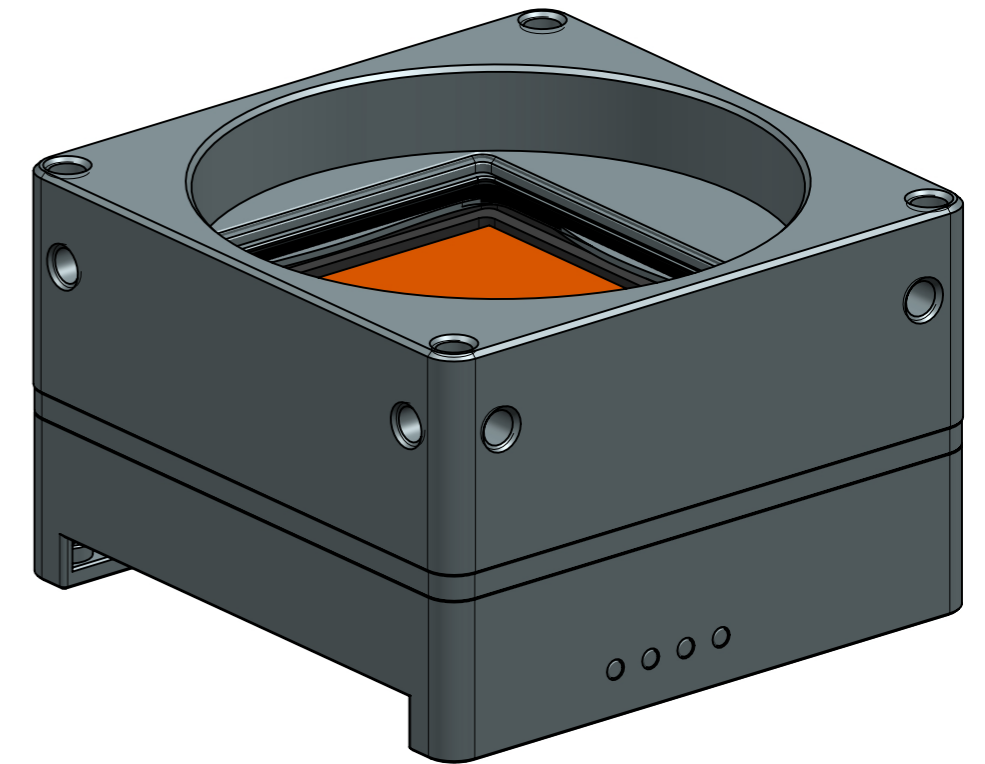
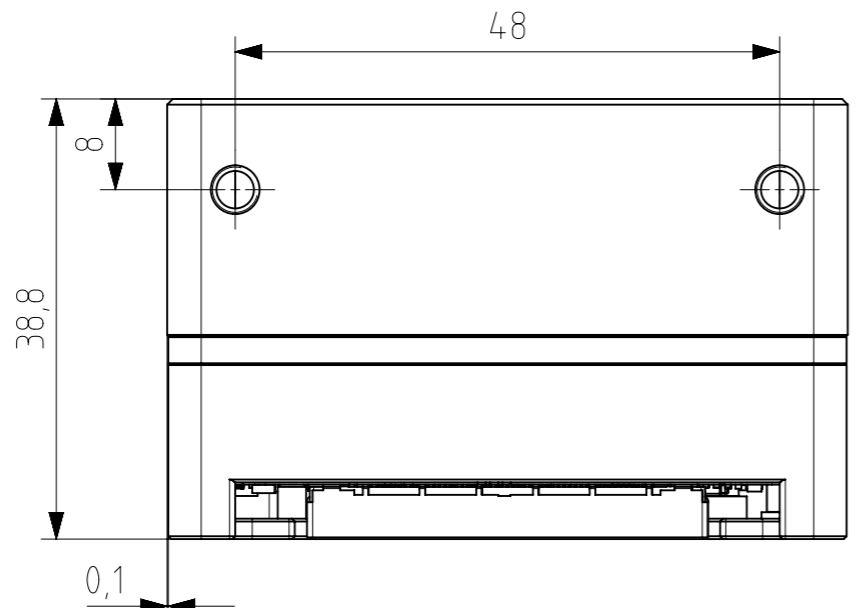


1 2 3 4 5 6 7 8

A B C D E F



SECTION B-B

4x M4x0,7 ∇ 5

This drawings is the property of XIMEA s.r.o. No use thereof shall be made other than as a reference for proposals as submitted to XIMEA s.r.o. for jobs to be executed in conformity with such proposals unless the consent of said XIMEA s.r.o. has previously been obtained. No part of this drawing shall be copied or duplicated or its contents disclosed. The information contained on this drawing is confidential and proprietary.

Date:	Name:	PN:	Customer PN:	Surface Quality:
Designed -	R&D	MX500CG-CM-X4G2-FV	NA	
Drawn 20171010	SPANO		Material:	Surface Finish:
Approved 20171010	SPANO	MFG PN	First angle projection	Weight:
QC 20171010	SPANO	MX500CG-CM-X4G2-FV-REV1		
MFGP 20171010	SPANO		Units:	Scale: 3:2
Department: R&D	Default tolerances:	Change	Date	Name
			mm	Format A3
			Doc Type: EU	Page: 1 of 1
			PART REVISION REV1	DOCUMENT REVISION A



1 2 3 4 5 6 7 8 A3