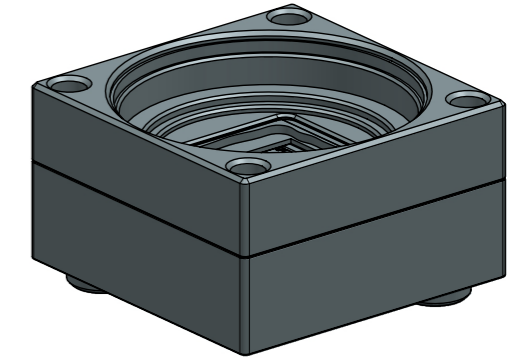
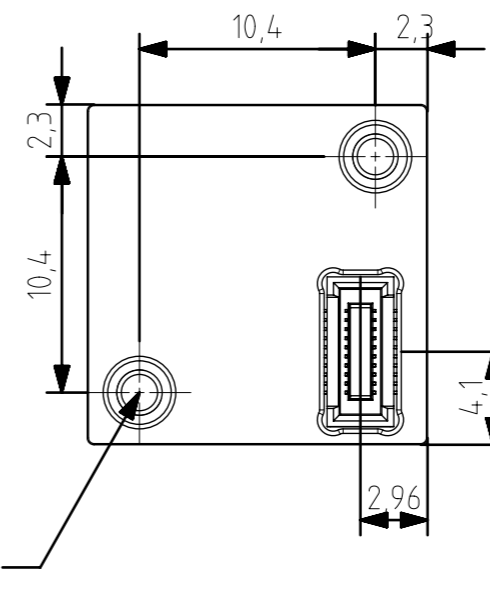
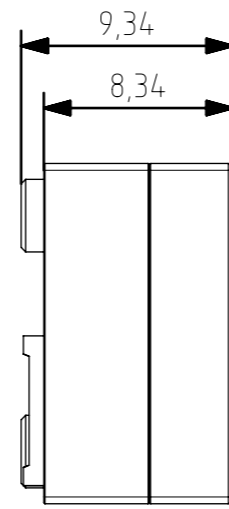
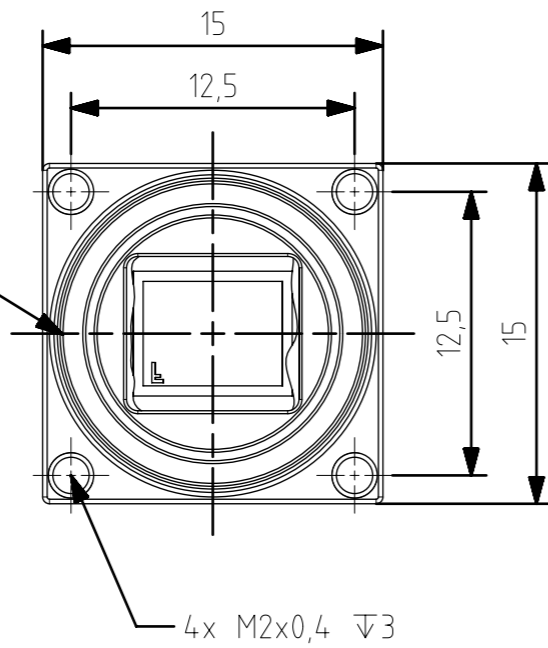
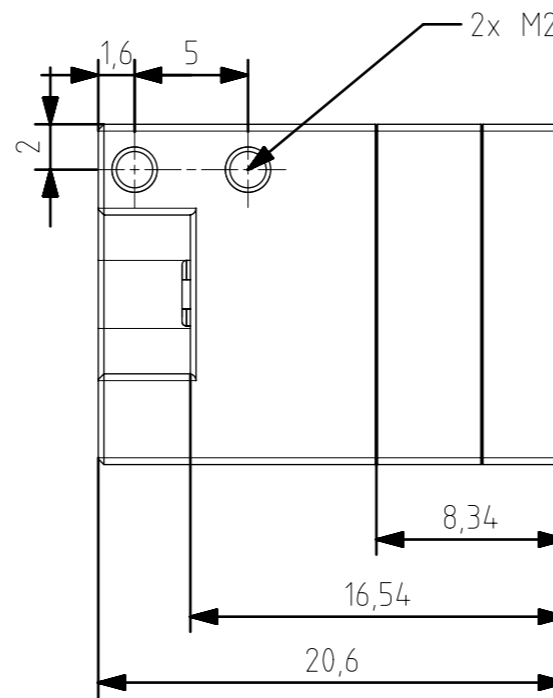
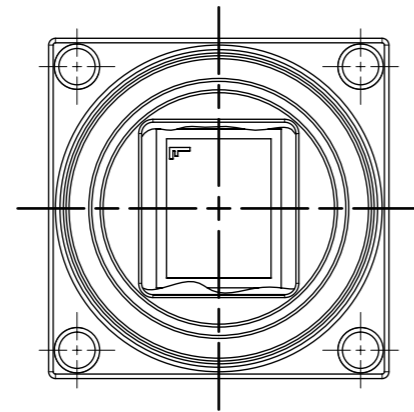
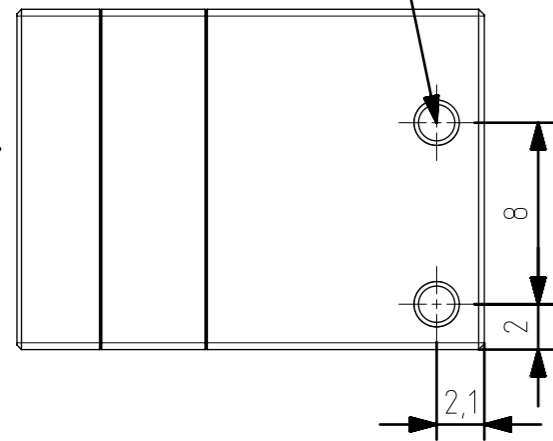


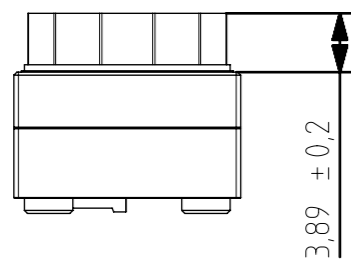
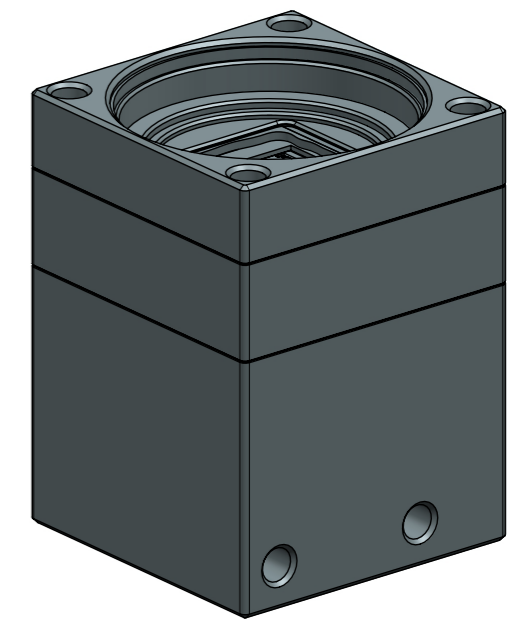
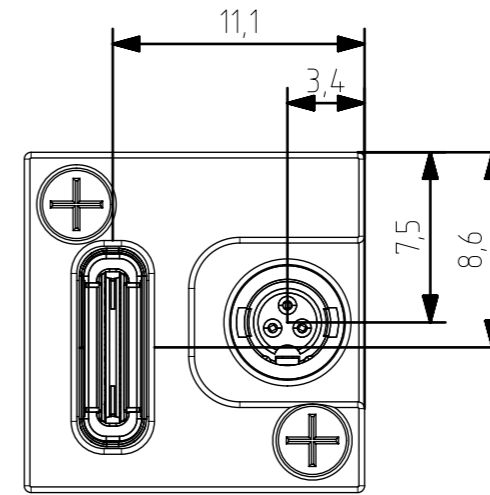
Custom metric threaded hole:
 Major diameter = 13,6 mm
 Minor diameter = 13,2 mm
 Pitch = 0,5mm
 Length = 1,45mm



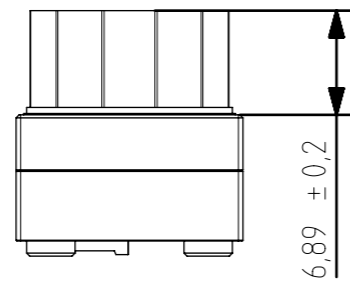
2x M2x0,4 ∇2



2x M2x0,4 ∇5



Adapter M



Adapter L

This drawings is the property of XIMEA s.r.o. No use thereof shall be made other than as a reference for proposals as submitted to XIMEA s.r.o. or jobs to be executed in conformity with such proposals unless the consent of said XIMEA s.r.o. previously been obtained. No part of this drawing shall be copied or duplicated or its contents disclosed. The information contained on this drawing is confidential and proprietary.

Date:	20170713	Name:	SPANO, GUNIS			PN:	MU181CR-0N			Customer PN:	NA		Surface Quality:		
Designed	20170713	Drawn	20171023			Approved	20171023			Material:			Surface Finish:		
QC	20171023	MFGP	20171023			Department:	R&D			Units:	mm		Scale: 3:1		
Default tolerances:	DIN ISO 2768-T1			Change	Date	Name				Format:	A3		Weight:		
										First angle projection			Surface Finish:	OPTICAL BLACK	
										Doc Type:	EU		PART REVISION	DOCUMENT REVISION	