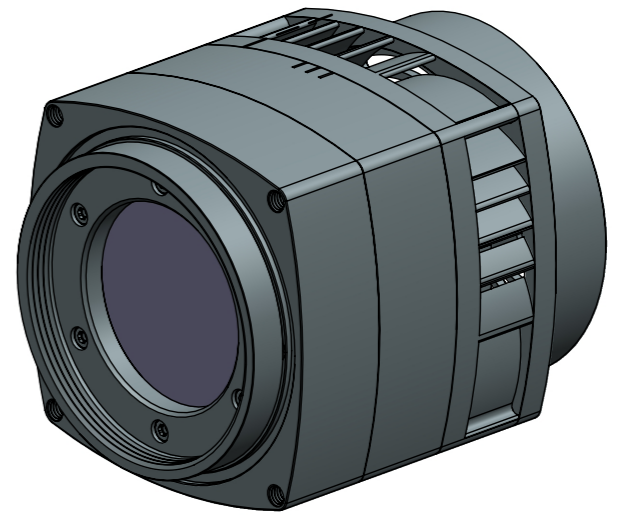
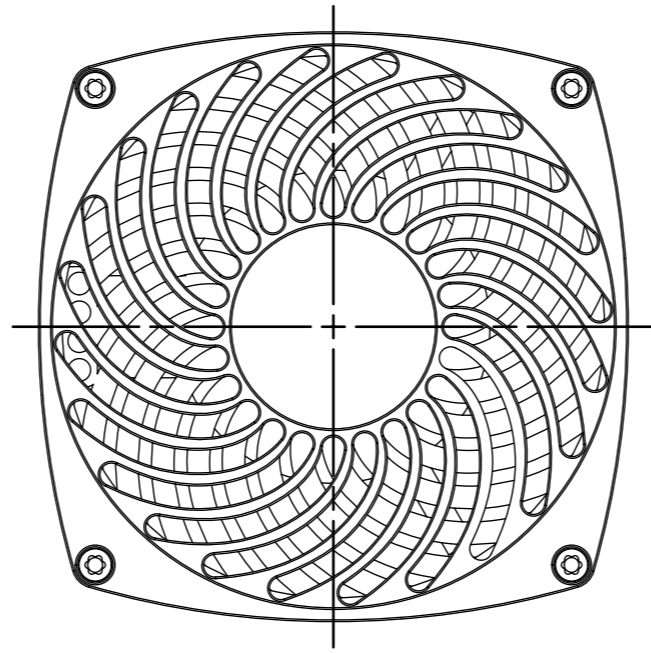
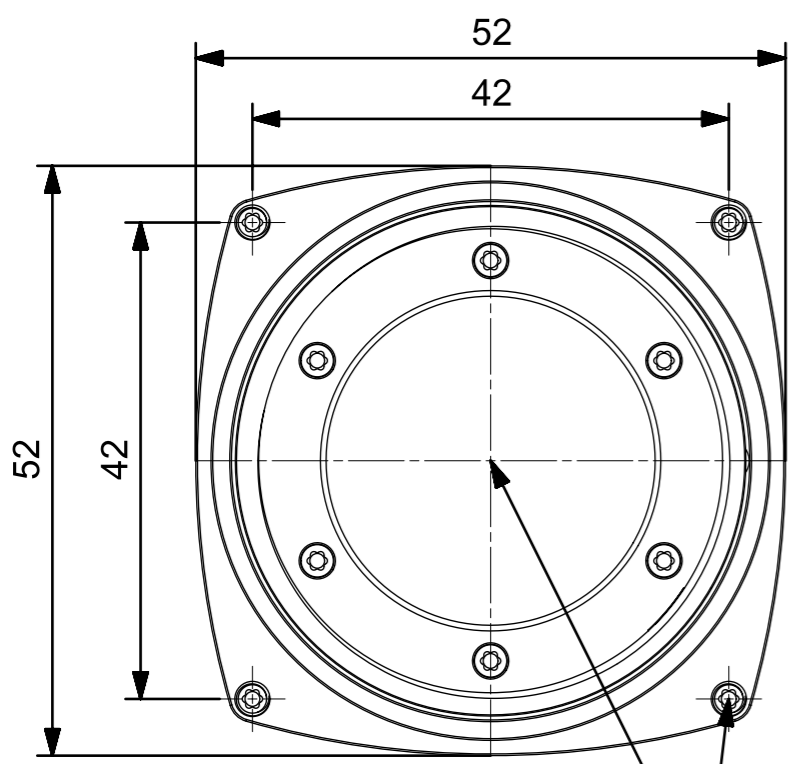
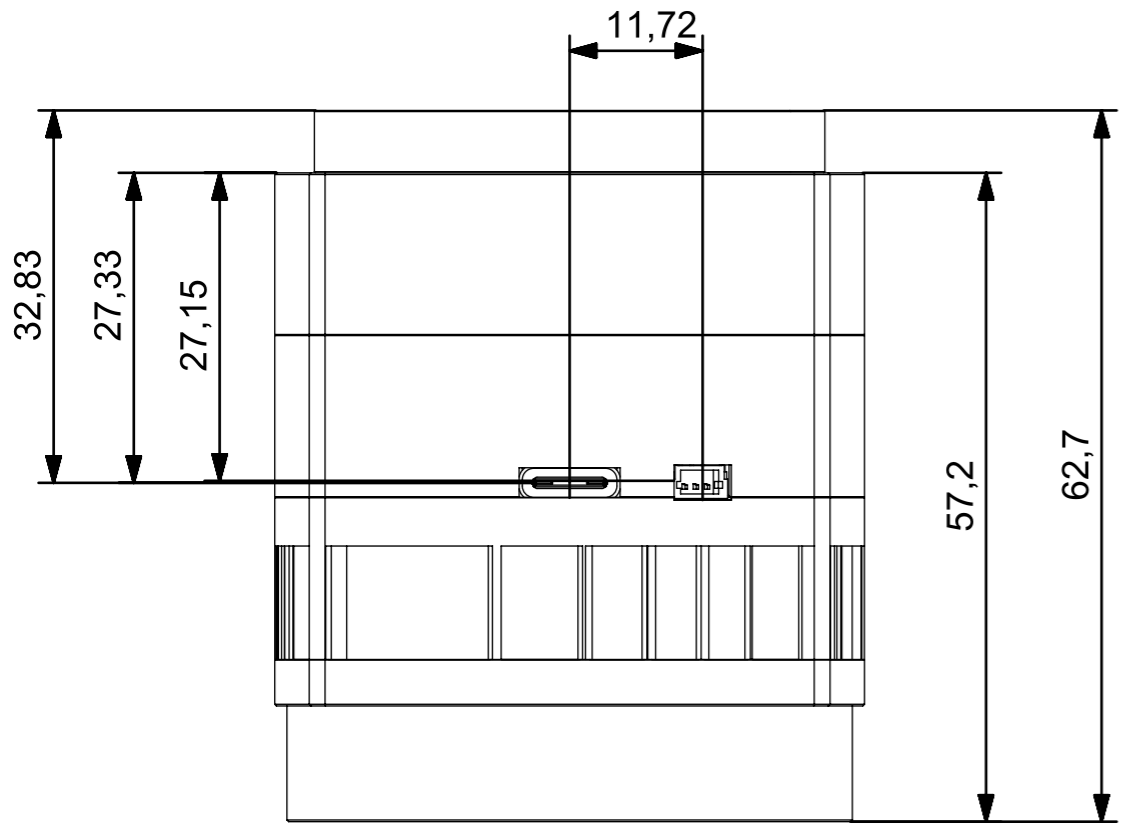


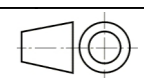

1 2 3 4 5 6 7 8

A B C D E F



4x M3x0,5 ∇ 5
M42X1 ∇4
(UNIVERSAL THREAD MOUNT)

This drawings is the property of XIMEA s.r.o. No use thereof shall be made other than as a reference for proposals as submitted to XIMEA s.r.o. for jobs to be executed in conformity with such proposals unless the consent of said XIMEA s.r.o. has previously been obtained. No part of this drawing shall be copied or duplicated or its contents disclosed. The information contained on this drawing is confidential and proprietary.

Date:	20170210	Name:	S KLIMOVIC	PN:	CM5130		Customer PN:	NA	Surface Quality:				
Designed	20170210	Drawn	20170314	SPANO	Project Class CM Top Level Assembly		Material:		Surface Finish: Black Anodized				
Approved	20170314	QC	20170314	SPANO			First angle projection			Weight:			
MFGP	20170314	Department:	R&D	Default tolerances:	ISO2768-1	Units:	mm	Scale:	1,5:1	Format:	A3		
							Change	Date	Name	Doc Type:	Part Doc:	Version Revision	Page:
							Document Nr:			EU		1.0	1 of 1

1 2 3 4 5 6 7 8 A3