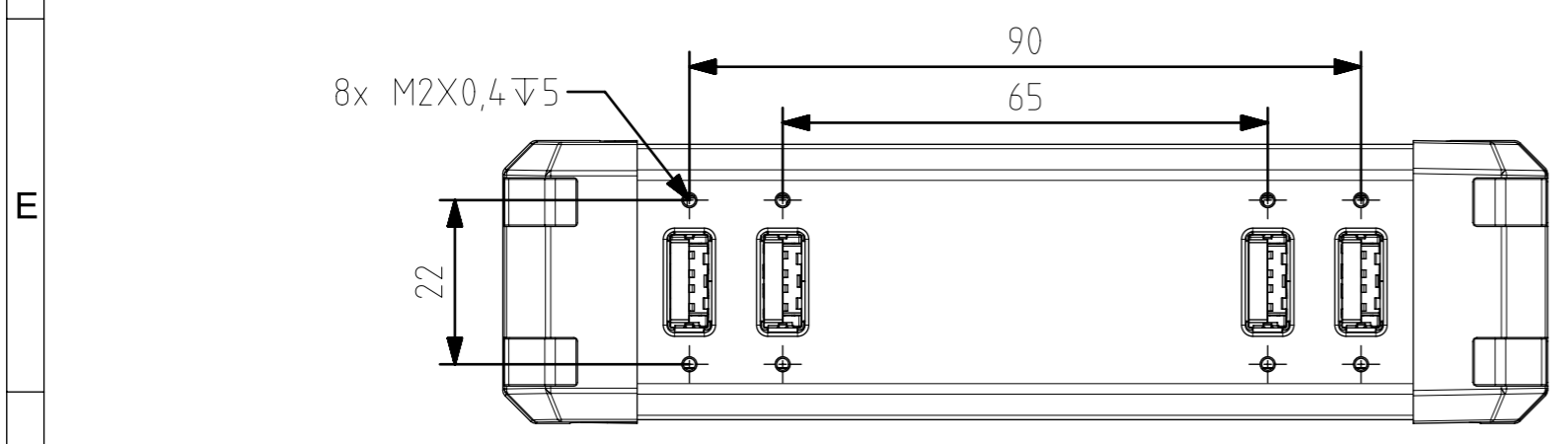


4x M7X0,7 ∇ 5
 4x M2X0,4 ∇ 3



This drawings is the property of XIMEA s.r.o. No use thereof shall be made other than as a reference for proposals as submitted to XIMEA s.r.o for jobs to be executed in conformity with such proposals unless the consent of said XIMEA s.r.o. has previously been obtained. No part of this drawing shall be copied or duplicated or its contents disclosed. The information contained on this drawing is confidential and proprietary.

Designed	Date: -	Name: M KLIMKOVIC	PN: XS-6P-X2G2-X8G3	Customer PN: NA	Surface Quality: Ra	
Drawn	20180119	SPANO	MFG PN	Material:	Surface Finish:	
Approved	20180119	SPANO		First angle projection	Weight:	
QC	20180119	SPANO			Units: mm	Scale: 1:1
MFGP	20180119	SPANO		Department: R&D	Doc Type: EU	PART REVISION
Default tolerances: ISO2768-1		Change Date Name		DOCUMENT REVISION	Page: 1 of 1	
			Document Nr:	A	A3	