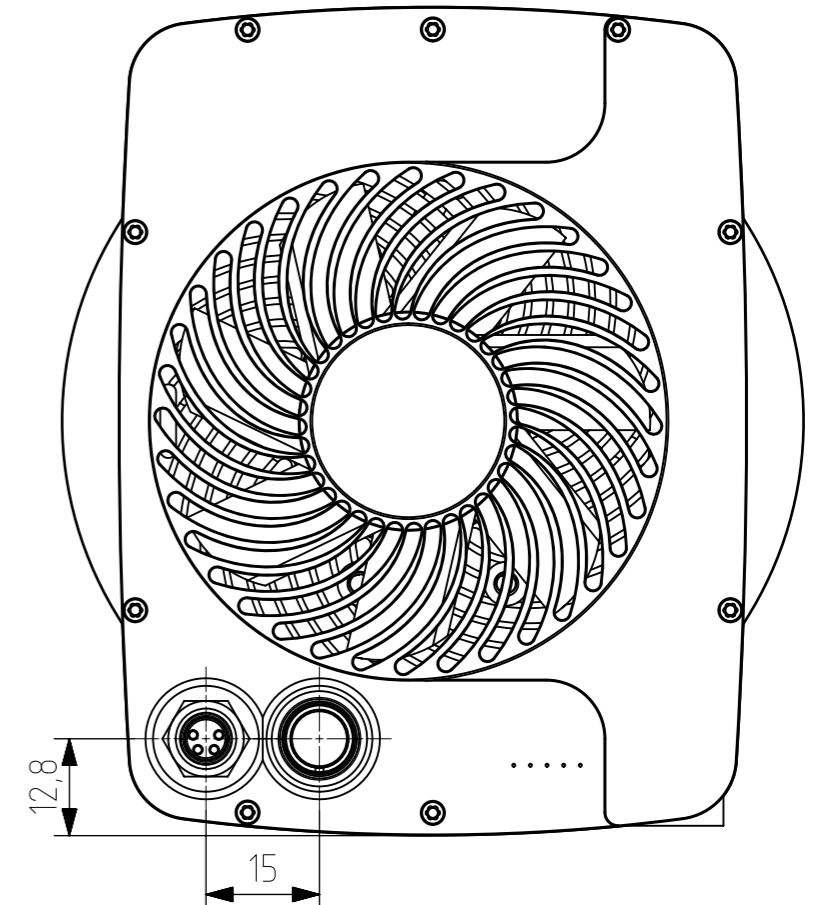
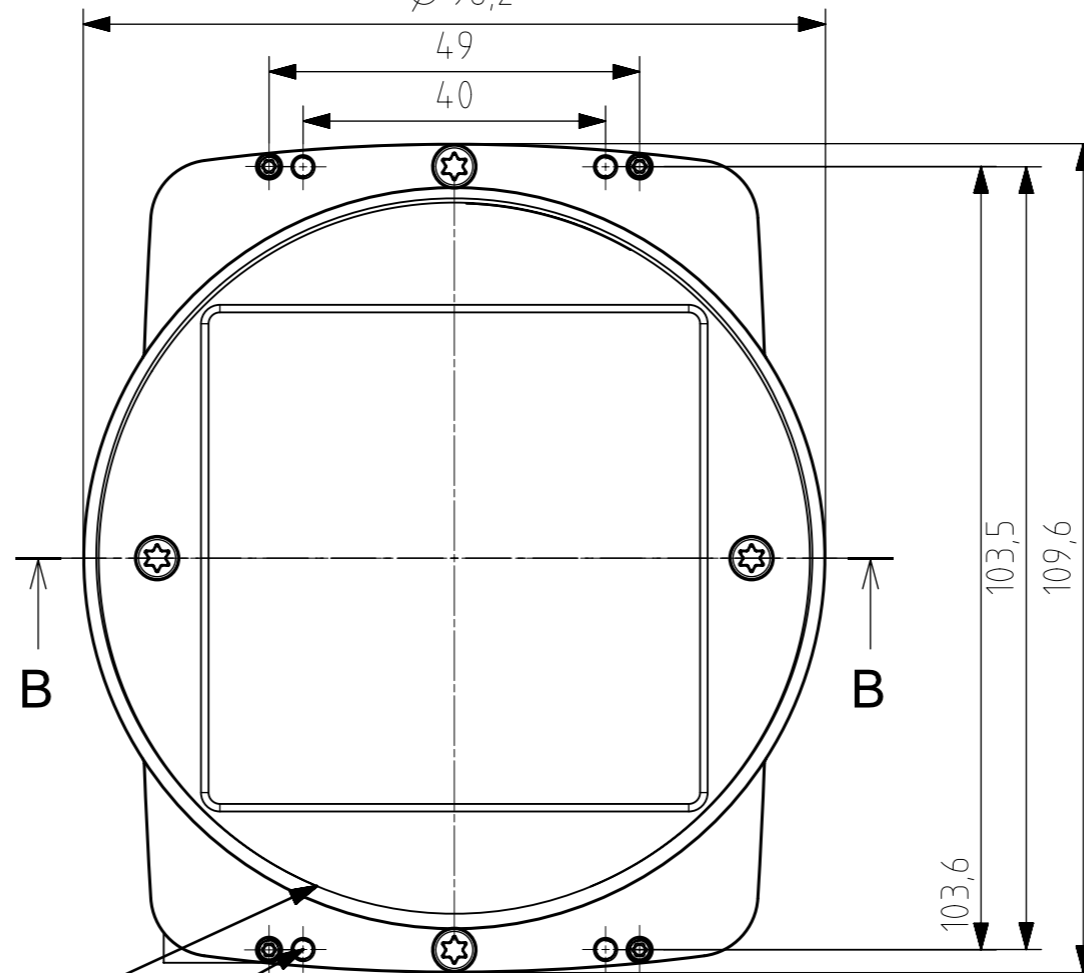
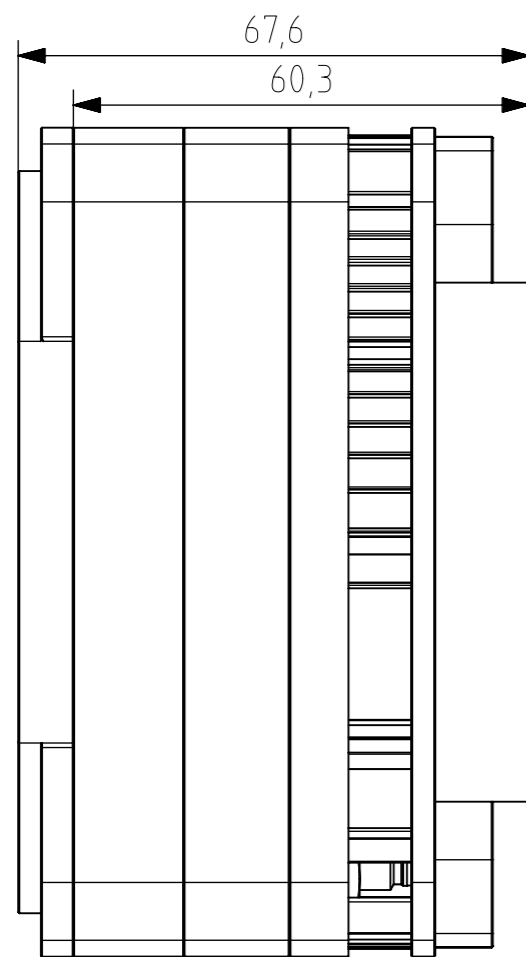


SECTION B-B
 $\varnothing 98,2$



M95x1 $\nabla 4,5$

4x M3x0,5 $\nabla 4$

Date:	Name:	PN:	Customer PN:	Surface Quality:
-	SK	MX377MG-GP-X4G3-MTP	NA	Ra
Drawn	GS		Material:	Surface Finish:
20190828				
Approved			First angle projection	Weight:
QC				
MFGP		Air cooled	Units:	Scale: 1:1
Department:	Default tolerances:		mm	Format
R&D				A3
		Change	Date	Name
		Document Nr:	Doc Type:	PART REVISION
			EU	DOCUMENT REVISION
				Page:
				1 of 1

This drawings is the property of XIMEA s.r.o. No use thereof shall be made other than as a reference for proposals as submitted to XIMEA s.r.o. for jobs to be executed in conformity with such proposals unless the consent of said XIMEA s.r.o. has previously been obtained. No part of this drawing shall be copied or duplicated or its contents disclosed. The information contained on this drawing is confidential and proprietary.

