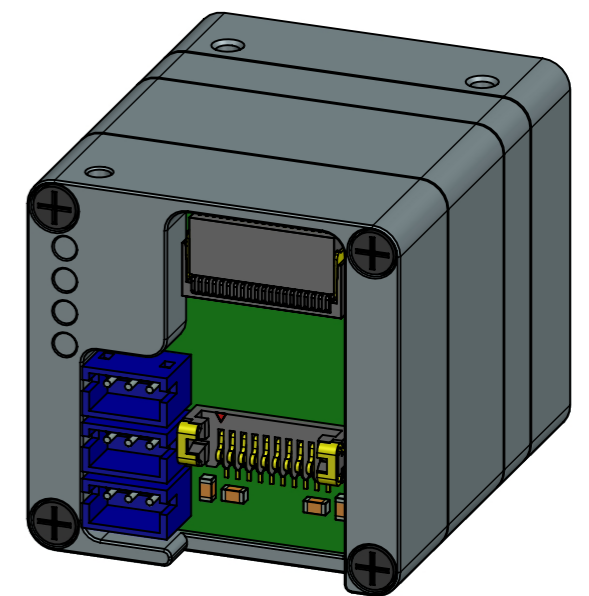
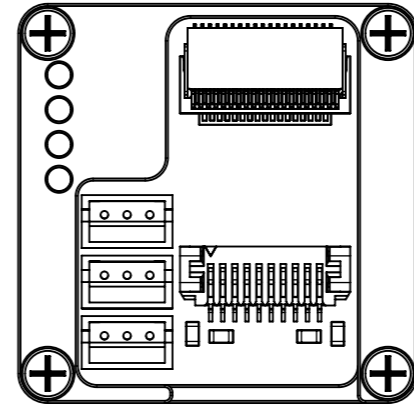
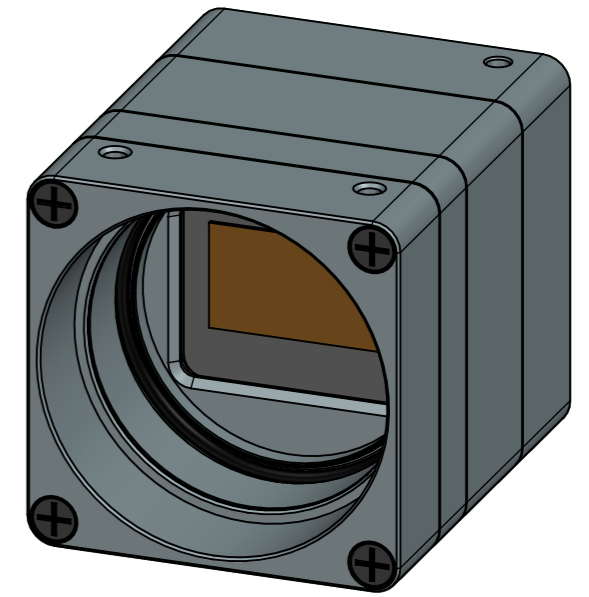
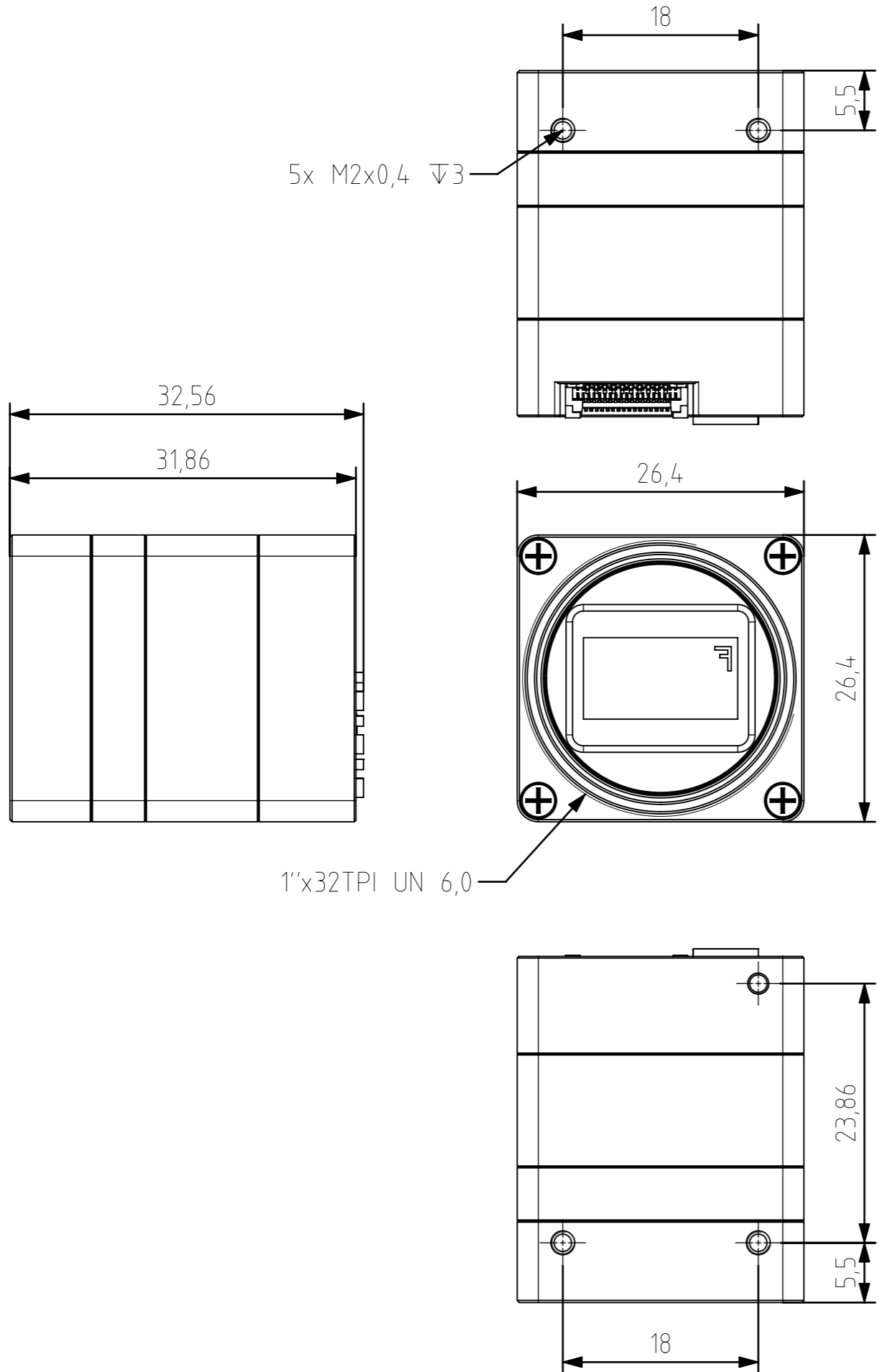


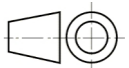

1 2 3 4 5 6 7 8

A
B
C
D
E
F

A
B
C
D
E
F



This drawings is the property of XIMEA s.r.o. No use thereof shall be made other than as a reference for proposals as submitted to XIMEA s.r.o. for jobs to be executed in conformity with such proposals unless the consent of said XIMEA s.r.o. has previously been obtained. No part of this drawing shall be copied or duplicated or its contents disclosed. The information contained on this drawing is confidential and proprietary.

	Date:	Name:	PN:	Customer PN:	Surface Quality:	
Designed	-	R&D	MX089xG-SY-X2G2-FF			
Drawn	20200207	GS		Material:	Surface Finish:	
Approved	20200207	GS	Project Class	First angle projection 	Weight:	
QC	20200207	GS			g	
MFGP	20200207	GS		Units:	Scale: 2:1	
Department:	R&D	Default tolerances:	Change	Date	Name	
		ISO2768-1				
			Document Nr:		Doc Type:	
					EU	PART REVISION
					A	1 of 1

1 2 3 4 5 6 7 8 A3