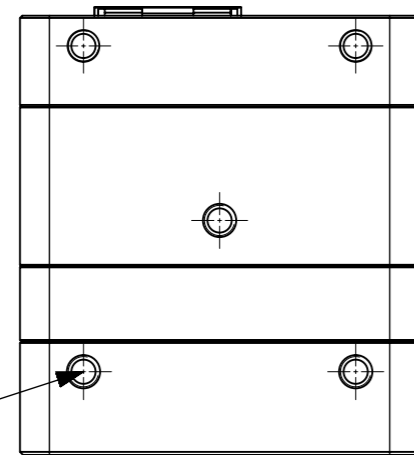
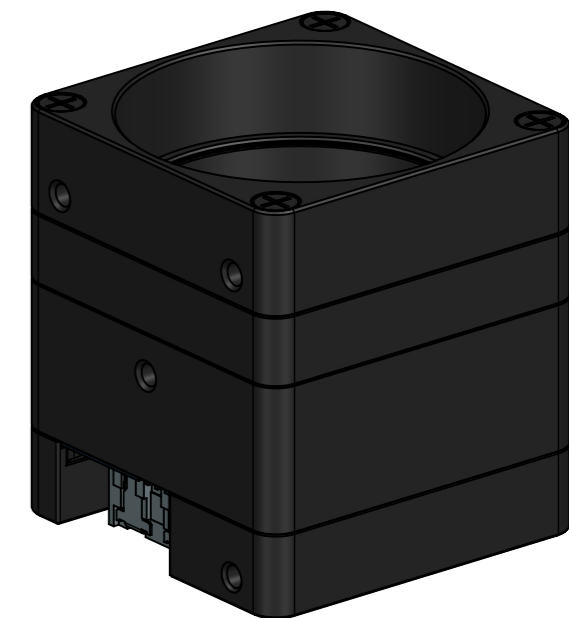
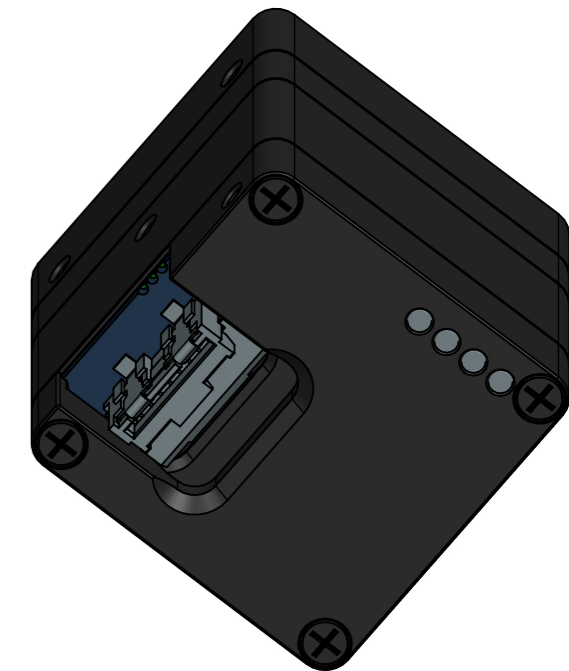
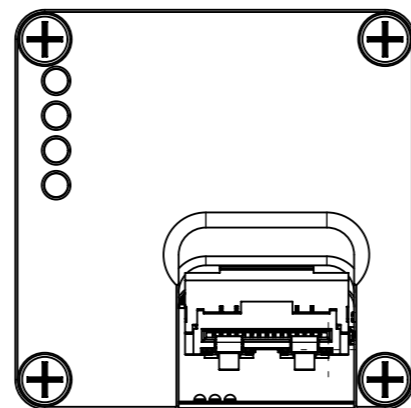


1"x32TPI UN ∇ 6.0



9x M2x0,4 ∇ 2



This drawings is the property of XIMEA GmbH. No use thereof shall be made other than as a reference for proposals as submitted to XIMEA GmbH for jobs to be executed in conformity with such proposals unless the consent of said XIMEA GmbH has previously been obtained. No part of this drawing shall be copied or duplicated or its contents disclosed. The information contained on this drawing is confidential and proprietary.

| | | | | | |
|----------|----------|-----------|---|------------------|----------------------------------|
| Designed | Date: - | Name: R&D | PN: MC161xG-SY-FV | Customer PN: NA | Surface Quality: |
| Drawn | 20201123 | GS | Project Class MC Top Level Assembly | Material: | Surface Finish: OPTICAL BLACK |
| Approved | 20201123 | GS | | QC | Weight: |
| MFGP | | | Department: R&D | Units: mm | Scale: 2:1 |
| | | | Default tolerances: ISO2768-f | Doc Type: EU | Format: A3 |
| | | | Change | Part Doc: A | Page: 1 of 1 |
| | | | Date | Version Revision | |
| | | | Name | | |



Document Nr:

Doc Type: EU
Part Doc: A
Version Revision
Page: 1 of 1