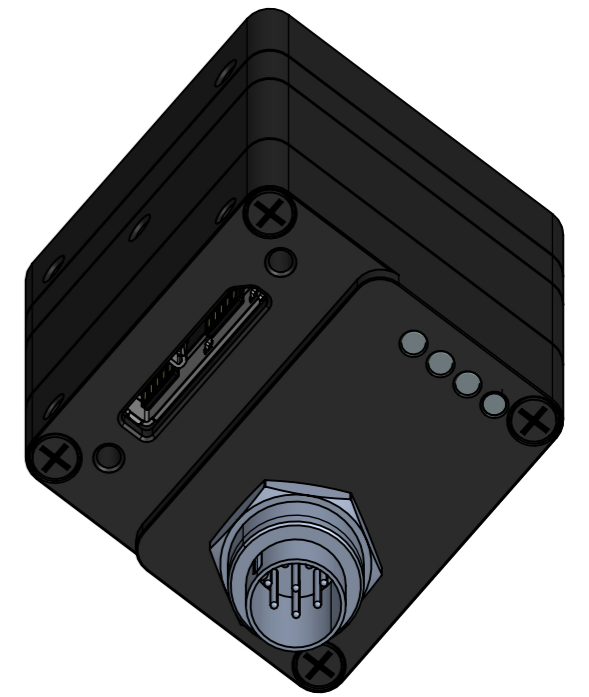
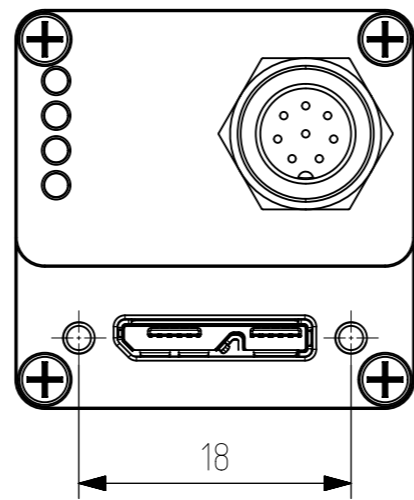
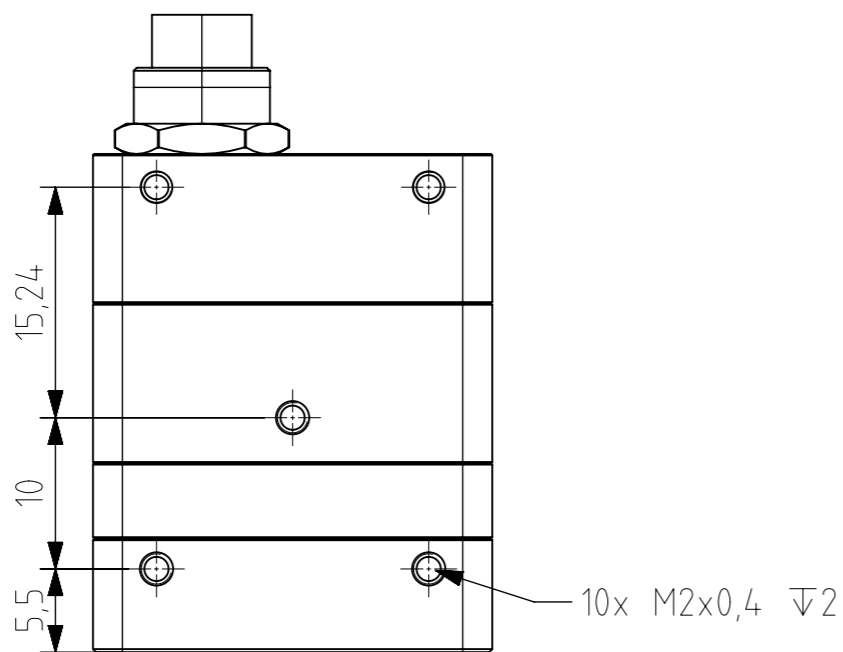


1"x32TPI UN ∇ 6.0



This drawings is the property of XIMEA GmbH. No use thereof shall be made other than as a reference for proposals as submitted to XIMEA GmbH for jobs to be executed in conformity with such proposals unless the consent of said XIMEA GmbH has previously been obtained. No part of this drawing shall be copied or duplicated or its contents disclosed. The information contained on this drawing is confidential and proprietary.

Designed	Date: -	Name: R&D	PN: MC161xG-SY-UB	Customer PN: NA	Surface Quality:
Drawn	20201123	GS	Project Class MC Top Level Assembly	Material:	Surface Finish: OPTICAL BLACK
Approved	20201123	GS		QC	Weight:
MFGP			Department: R&D	Units: mm	Scale: 2:1
			Default tolerances: ISO2768-f	Doc Type: EU	Part Doc: A
			Change	Date	Version Revision
			Name	Page:	1 of 1

