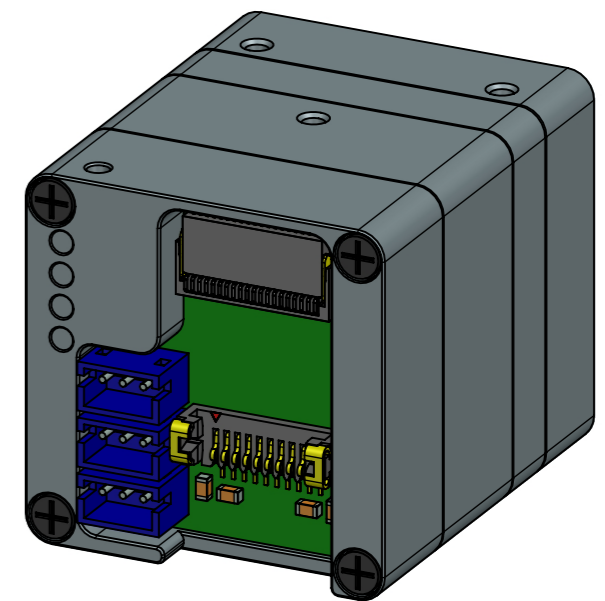
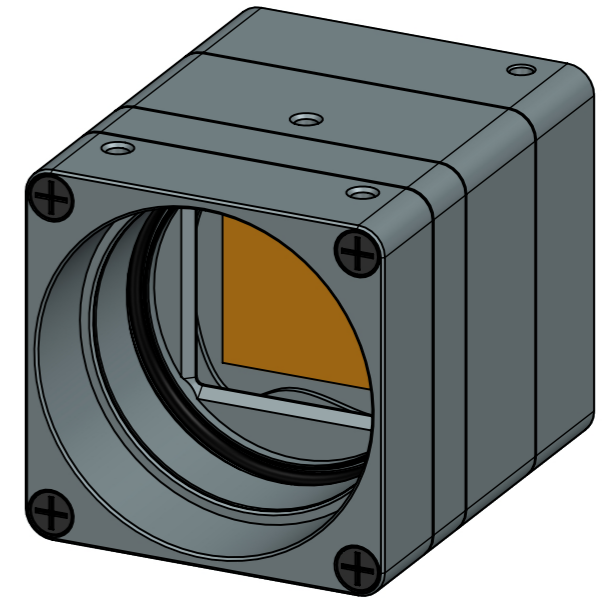
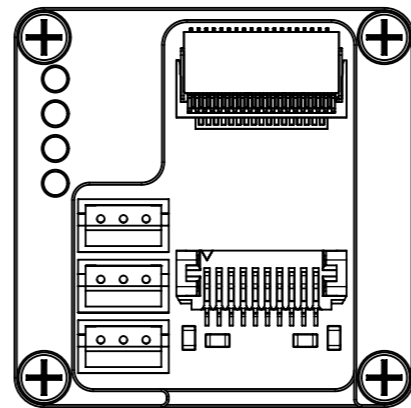
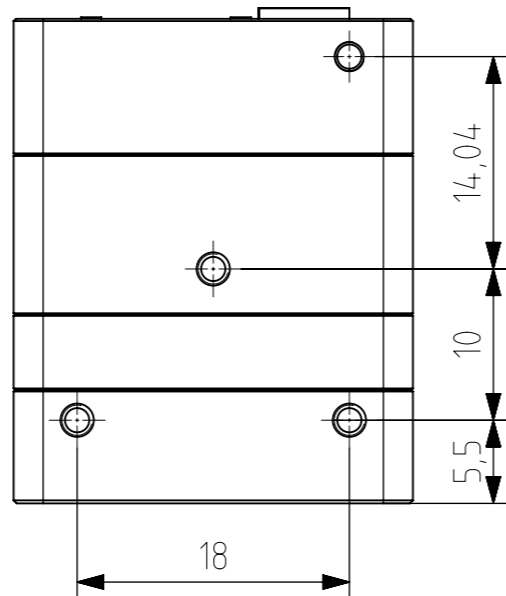


1"x32TPI UN 6,0



This drawings is the property of XIMEA s.r.o. No use thereof shall be made other than as a reference for proposals as submitted to XIMEA s.r.o. for jobs to be executed in conformity with such proposals unless the consent of said XIMEA s.r.o. has previously been obtained. No part of this drawing shall be copied or duplicated or its contents disclosed. The information contained on this drawing is confidential and proprietary.

Designed	Date:	Name:	PN:	Customer PN:	Surface Quality:		
Drawn	20200513	GS	MX161xG-SY-X2G2-FF MX202xG-SY-X2G2-FF MX244xG-SY-X2G2-FF	Material:	Surface Finish:		
Approved	20200513	GS			Weight:		
QC	20200513	GS			g		
MFGP	20200513	GS		Units:	Scale: 2:1	Format	
Department:	R&D	Default tolerances:	Change	Date	Name	mm	A3
			ISO2768-1	Doc Type:	PART REVISION	DOCUMENT REVISION	Page:
			Document Nr:	EU	A	1 of 1	

