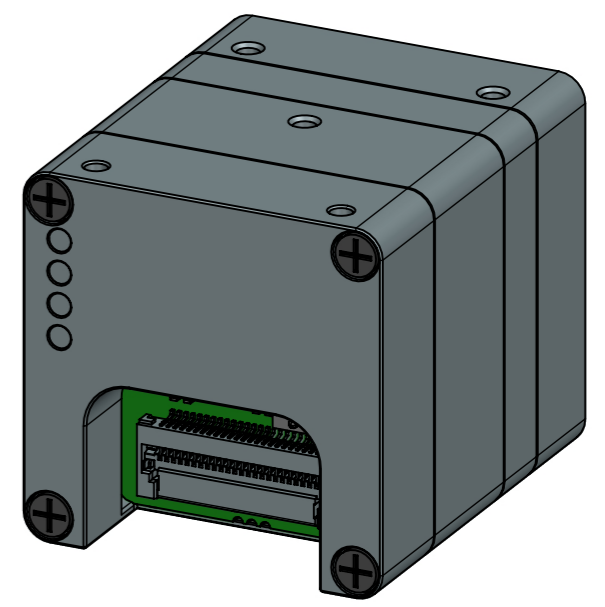
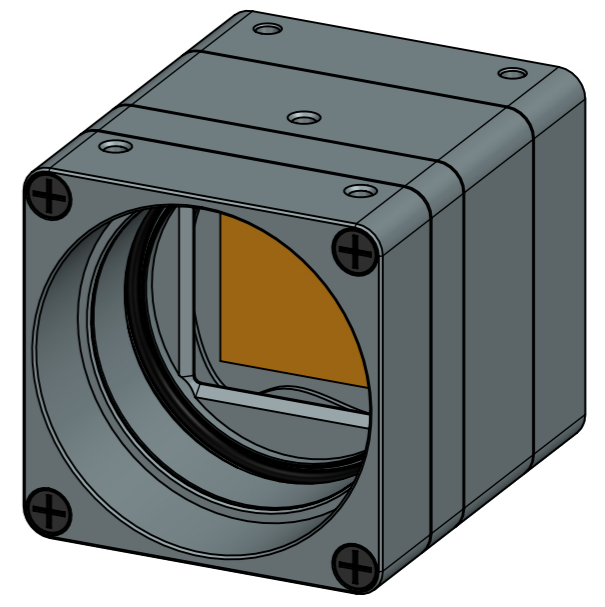
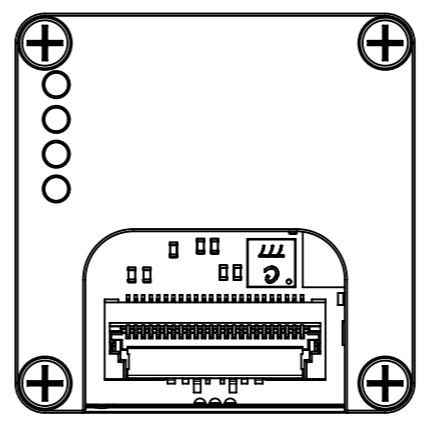
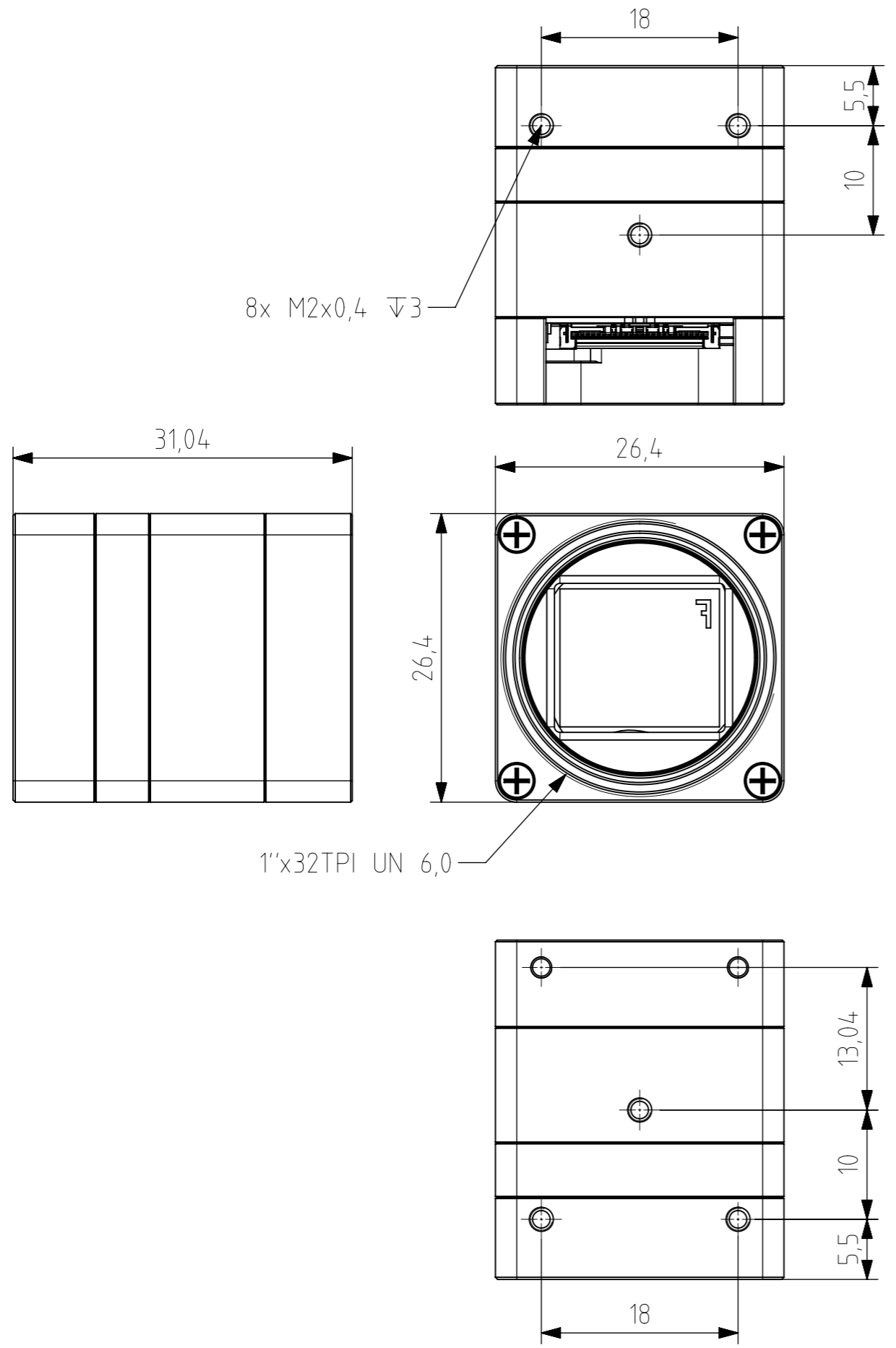


1 2 3 4 5 6 7 8

A  
B  
C  
D  
E  
F

A  
B  
C  
D  
E  
F



This drawings is the property of XIMEA s.r.o. No use thereof shall be made other than as a reference for proposals as submitted to XIMEA s.r.o. for jobs to be executed in conformity with such proposals unless the consent of said XIMEA s.r.o. has previously been obtained. No part of this drawing shall be copied or duplicated or its contents disclosed. The information contained on this drawing is confidential and proprietary.

Designed	-	Name:	R&D	PN:				Customer PN:	Surface Quality:		
Drawn	20200207	Name:	GS	MX161xG-SY-X2G2-FL MX202xG-SY-X2G2-FL MX244xG-SY-X2G2-FL			Material:	Surface Finish:			
Approved	20200207	Name:	GS				Units:	Scale: 2:1	Format:	A3	
QC	20200207	Name:	GS				First angle projection			Weight:	g
MFGP	20200207	Name:	GS				Department: R&D			Doc Type:	PART REVISION
Department:		R&D	Default tolerances:	ISO2768-1	Change	Date	Name	Scale: 2:1	Format: A3		
					Document Nr:		Doc Type:	PART REVISION	DOCUMENT REVISION	Page: 1 of 1	
							EU		A		

1 2 3 4 5 6 7 8 A3