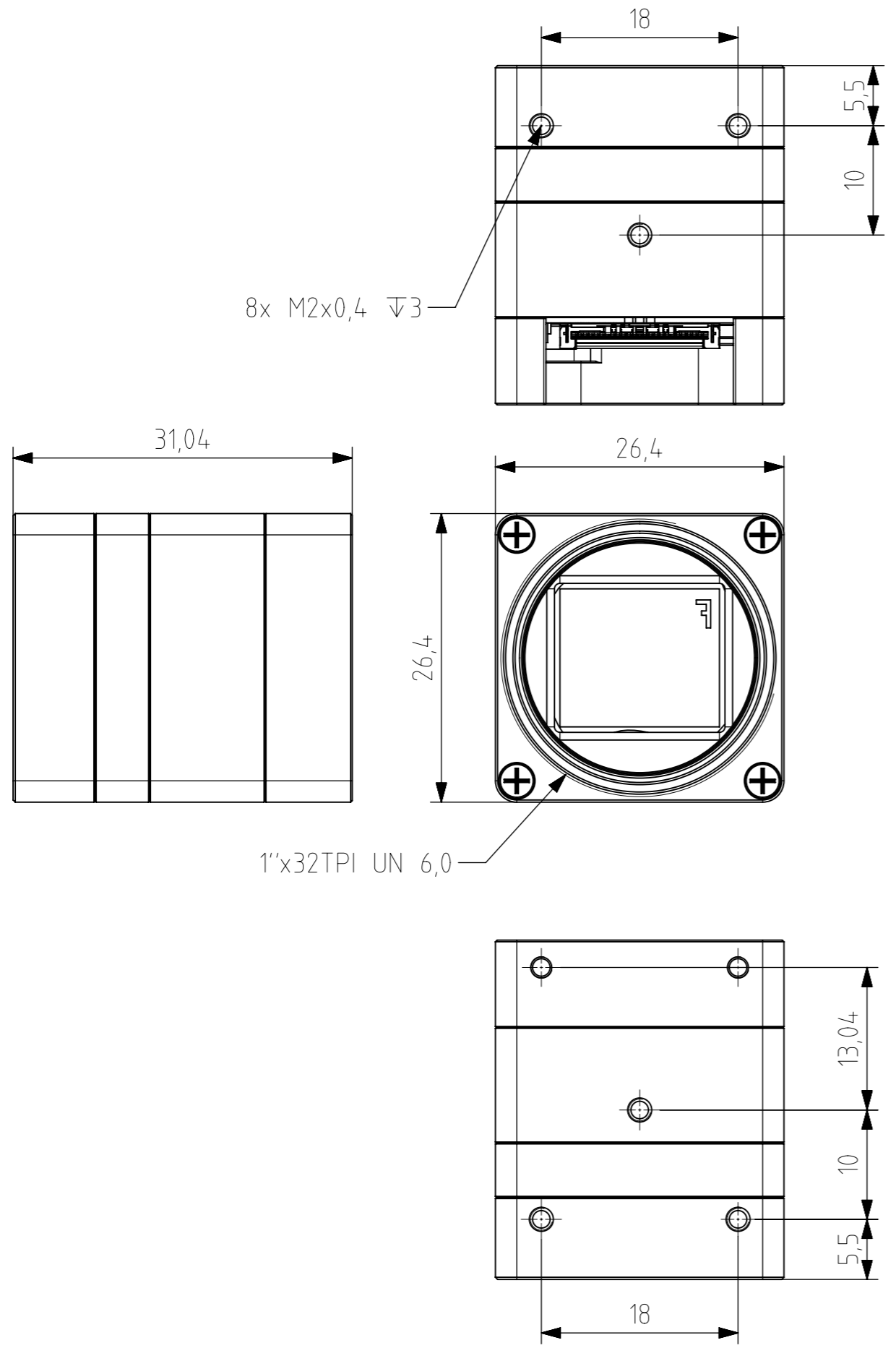


1 2 3 4 5 6 7 8

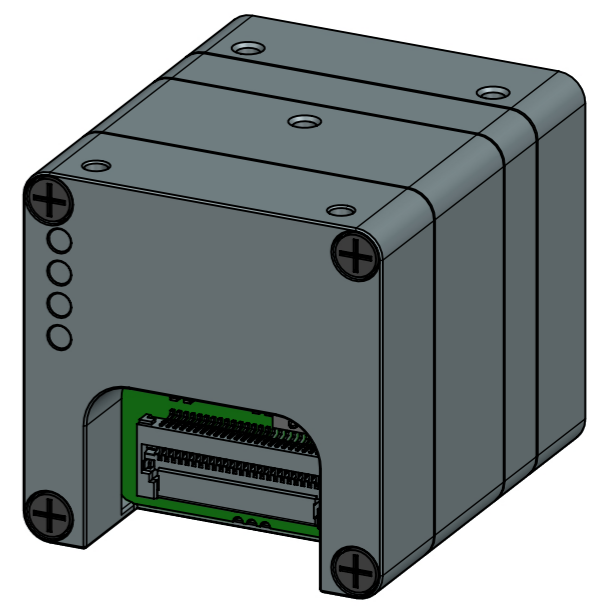
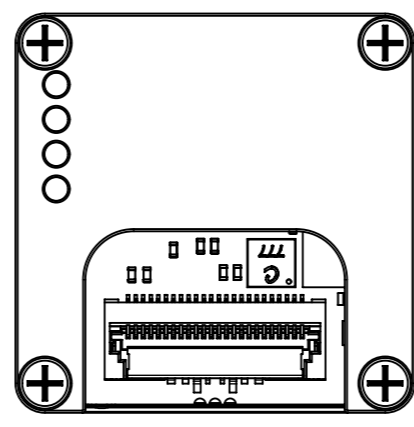
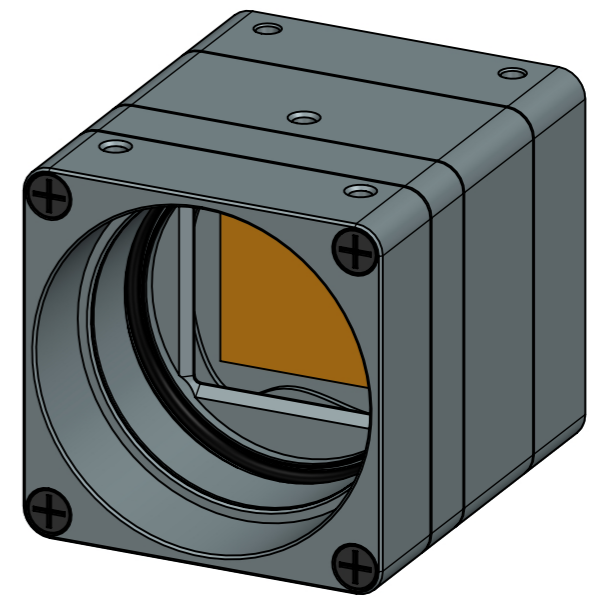
A
B
C
D
E
F

A
B
C
D
E
F



8x M2x0,4 ∇3

1'x32TPI UN 6,0



This drawings is the property of XIMEA s.r.o. No use thereof shall be made other than as a reference for proposals as submitted to XIMEA s.r.o. for jobs to be executed in conformity with such proposals unless the consent of said XIMEA s.r.o. has previously been obtained. No part of this drawing shall be copied or duplicated or its contents disclosed. The information contained on this drawing is confidential and proprietary.

Designed	-	Name:	R&D	Customer PN:	Surface Quality:
Drawn	20200513	Name:	GS	Material:	Surface Finish:
Approved	20200513	Name:	GS	First angle projection	Weight:
QC	20200513	Name:	GS		g
MFGP	20200513	Name:	GS	Units:	Scale: 2:1
Department:	R&D	Default tolerances:	ISO2768-1	mm	Format
			Change	Date	Name
			Doc Type:	PART REVISION	DOCUMENT REVISION
Document Nr:			EU	A	1 of 1

1 2 3 4 5 6 7 8 A3