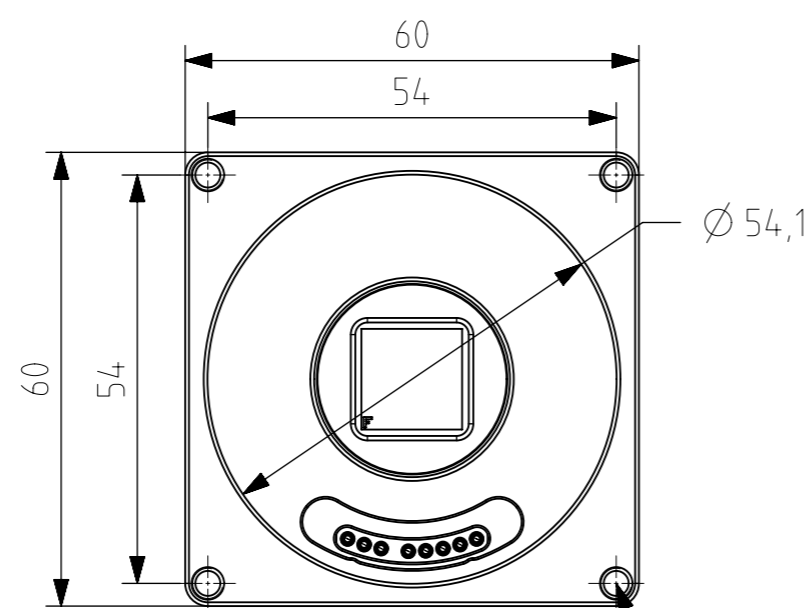
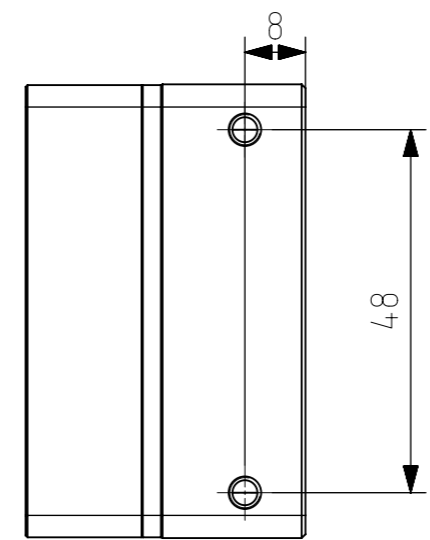


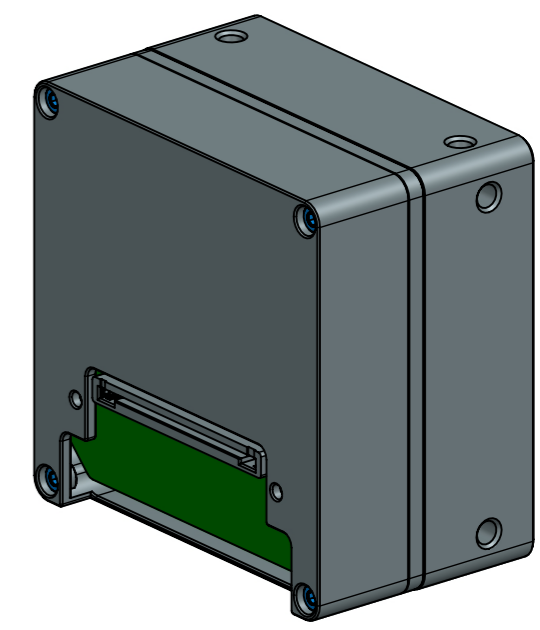
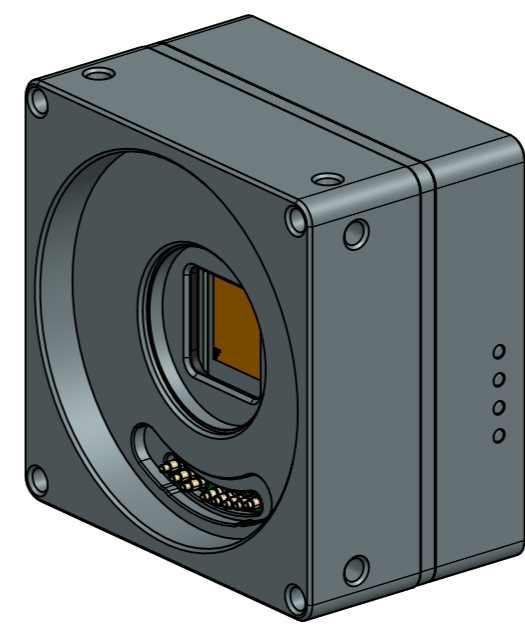
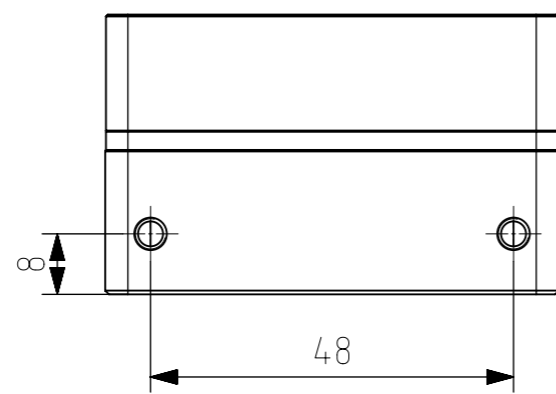
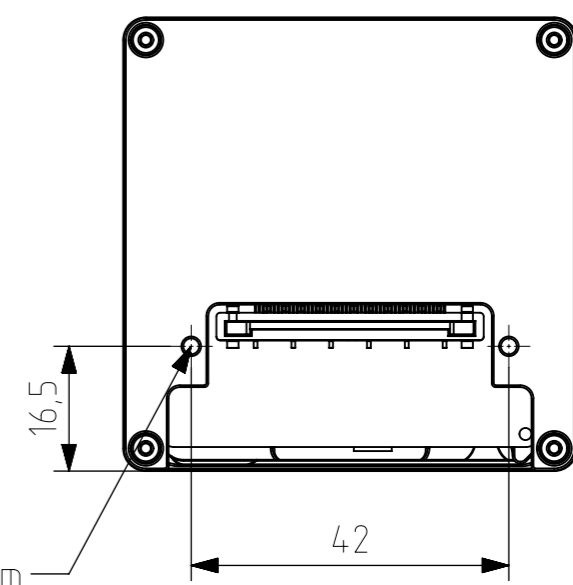
8x M4x0,7 $\nabla$ 5



4x M4x0,7 $\nabla$ 5

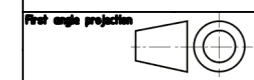


2x M2,5x0,45 $\nabla$ MAX 3mm



	Date:	Name:	PN:	Customer PN:	Surface Quality:
Designed	-	R&D	MX042xR-GP-BSI-X4G2-FV	NA	Ra
Drawn	20210317	GS		Material:	Surface Finish:
Approved	20210317	GS	MFG PN		Black Anodized
QC	20210317	GS		Weight:	
MFGP	20210317	GS			
Department:	R&D	Default tolerance:		Units:	Scale: 1:1
				mm	Format
					A3
			Document Nr:	Doc Type:	Page:
				EU	1 of 1

This drawings is the property of XIMEA s.r.o. No use thereof shall be made other than as a reference for proposals as submitted to XIMEA s.r.o. for jobs to be executed in conformity with such proposals unless the consent of said XIMEA s.r.o. has previously been obtained. No part of this drawing shall be copied or duplicated or its contents disclosed. The information contained on this drawing is confidential and proprietary.



A3