

1 2 3 4 5 6 7 8

A A

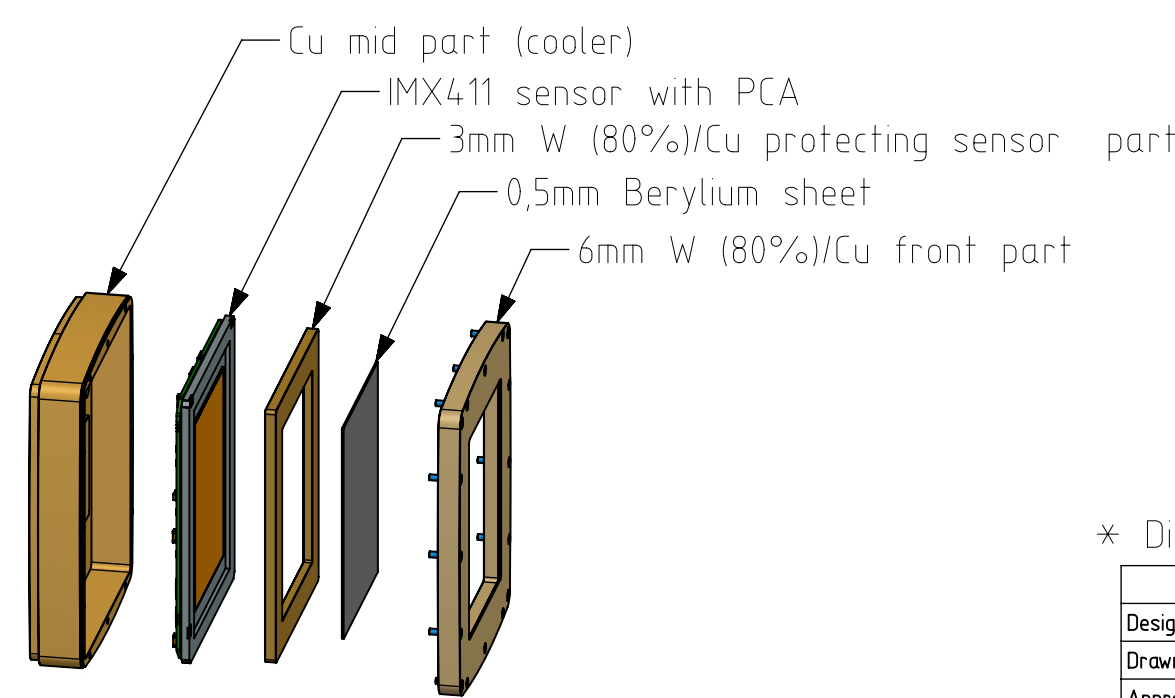
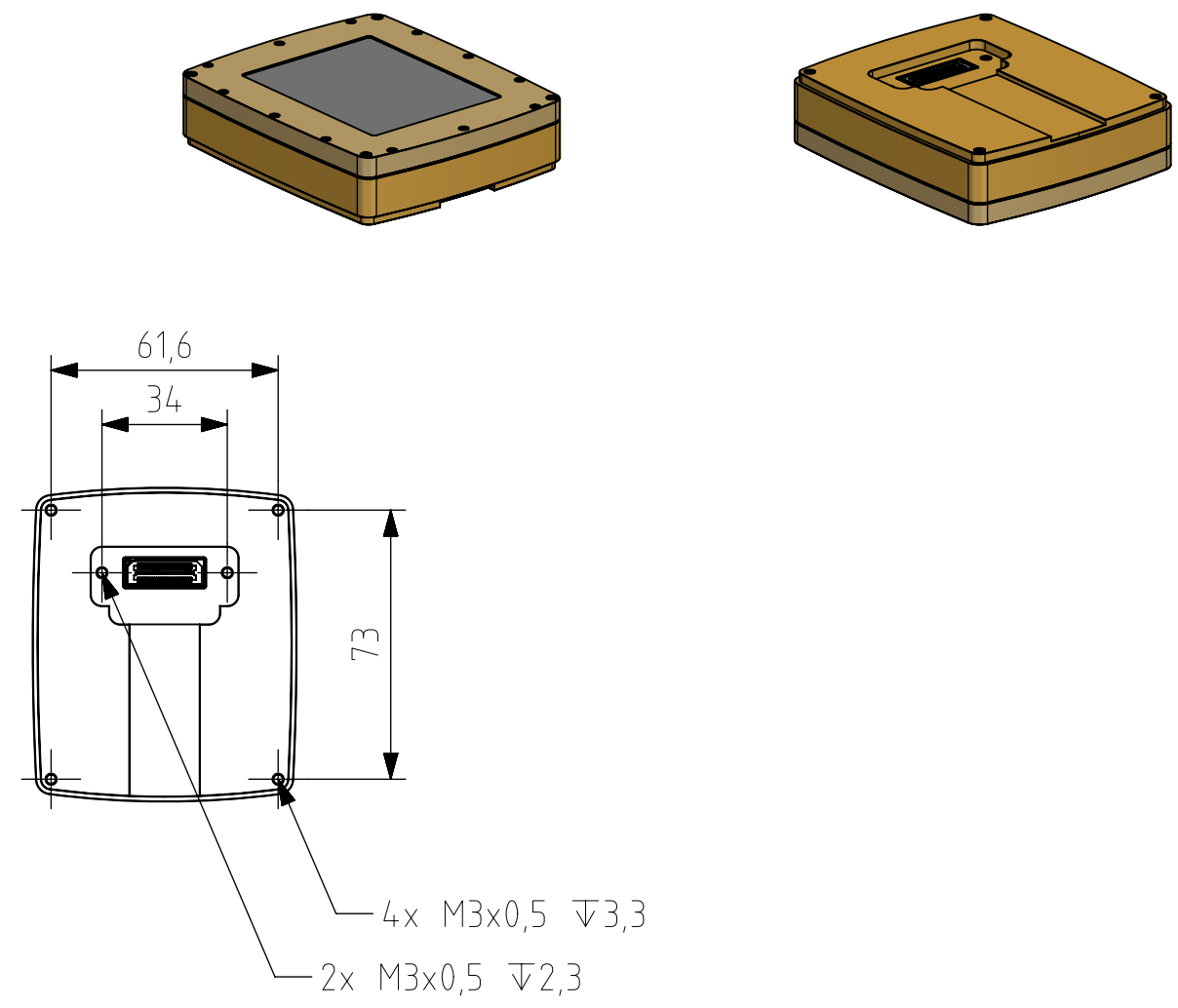
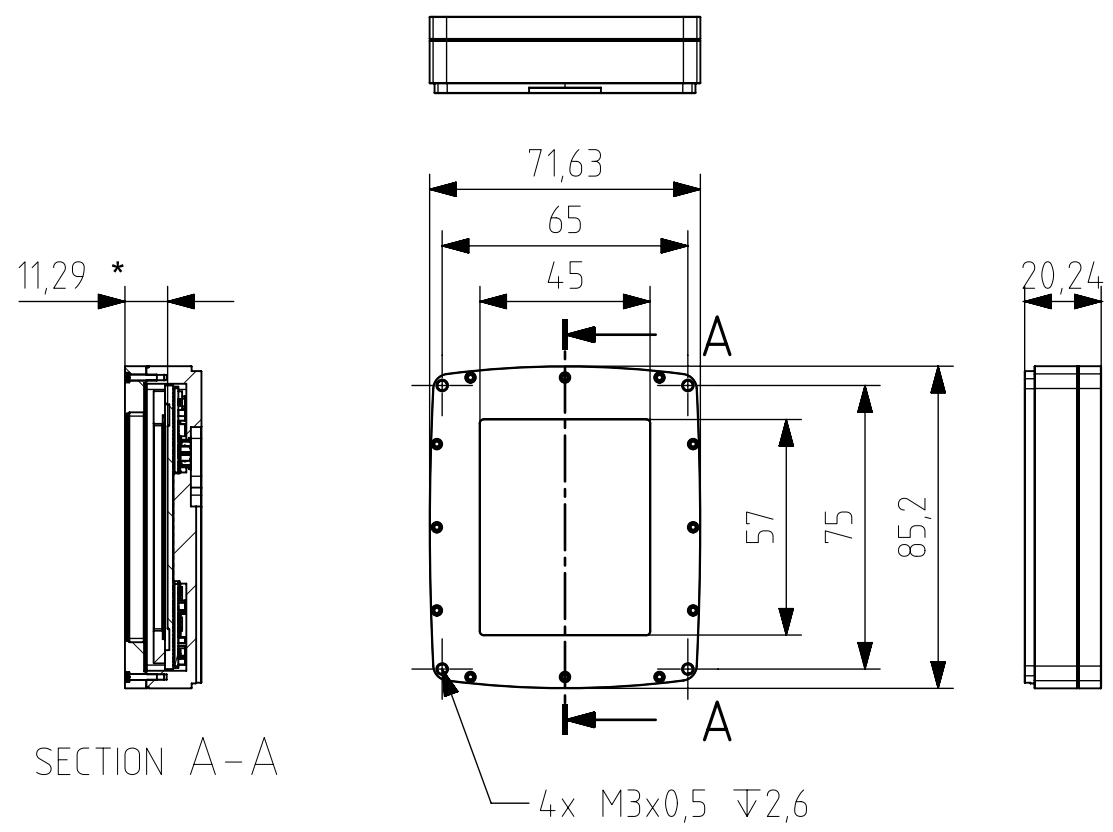
B B

C C

D D

E E

F F



\* Distance from sensor active area to the top surface

Designed	Date: -	Name: SK	PN: MX1510XR-SY-X2G2	Customer PN:	Surface Quality:
Drawn	20210622	GS		Material:	Surface Finish:
Approved			PN MFG	First angle projection	Weight:
QC					
MFGP				Units: mm	Scale: 2:1
Department: R&D	Default tolerances:		Change Date Name	Doc Type: EU	Format: A3
			Edges ISO 13715	PART REVISION	DOCUMENT REVISION
				A	Page: 1 of 1

This drawings is the property of XIMEA s.r.o. No use thereof shall be made other than as a reference for proposals as submitted to XIMEA s.r.o. for jobs to be executed in conformity with such proposals unless the consent of said XIMEA s.r.o. has previously been obtained. No part of this drawing shall be copied or duplicated or its contents disclosed. The information contained on this drawing is confidential and proprietary.

1 2 3 4 5 6 7 8 A3