

Lens Accessory

MX1018 Camera models
(based on Sony IMX461)

Backside connection options

Heatsink Options

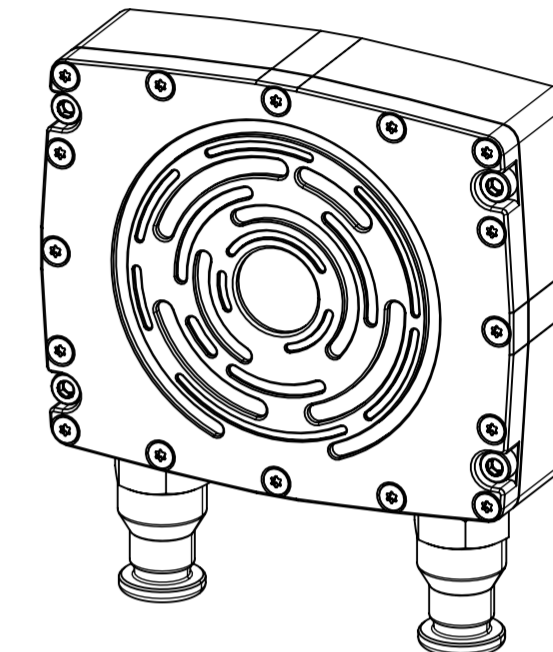
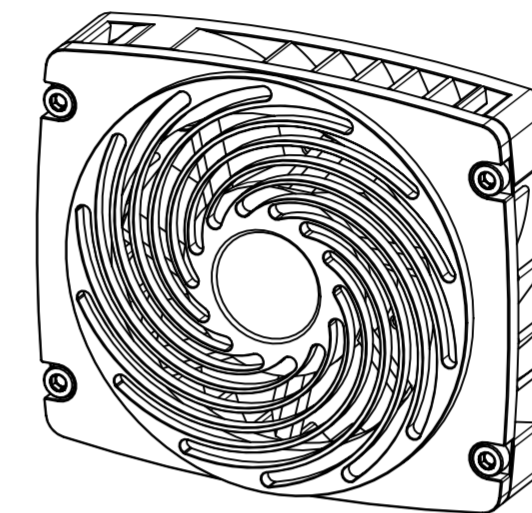
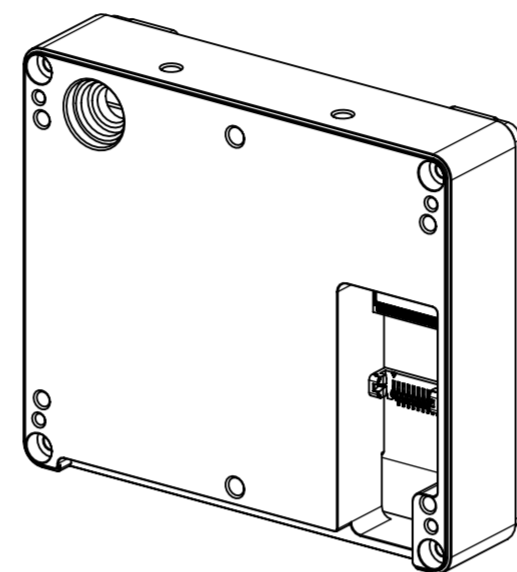
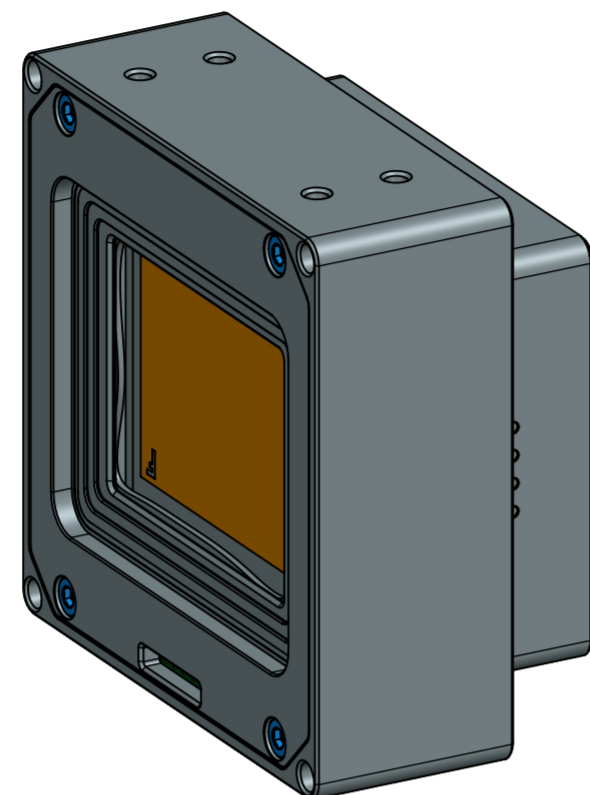
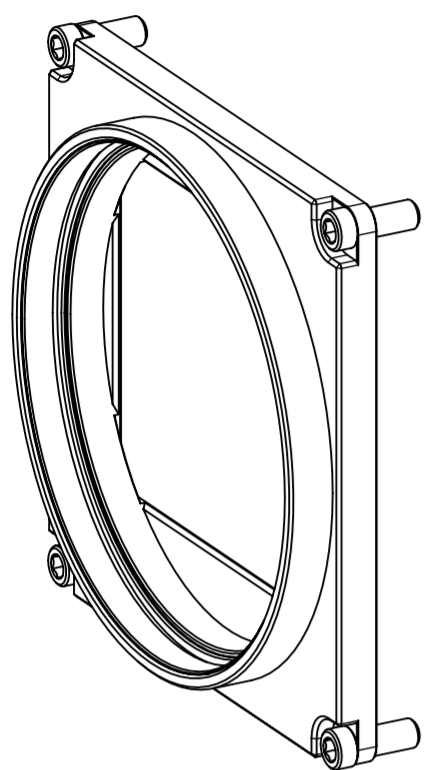
M72x0,75 mount

PCIe Gen3 x4 lanes cable connector - Firefly version
(Comes as the default version of the camera)

Air cooled heatsink

or

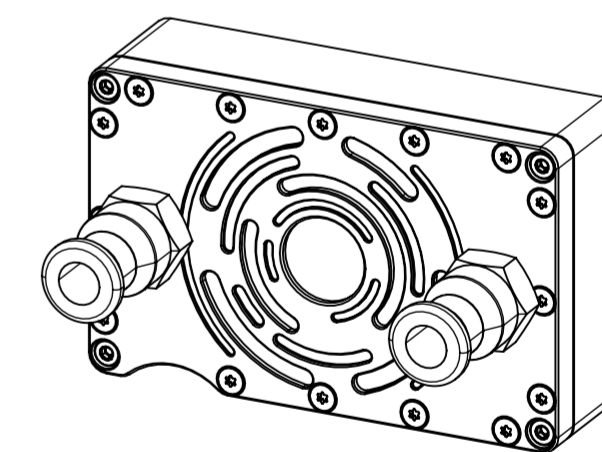
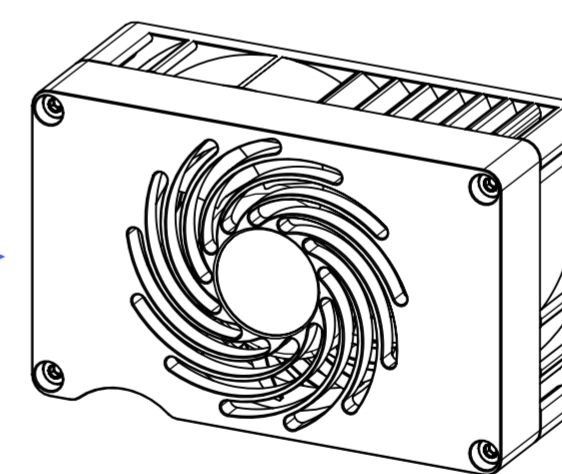
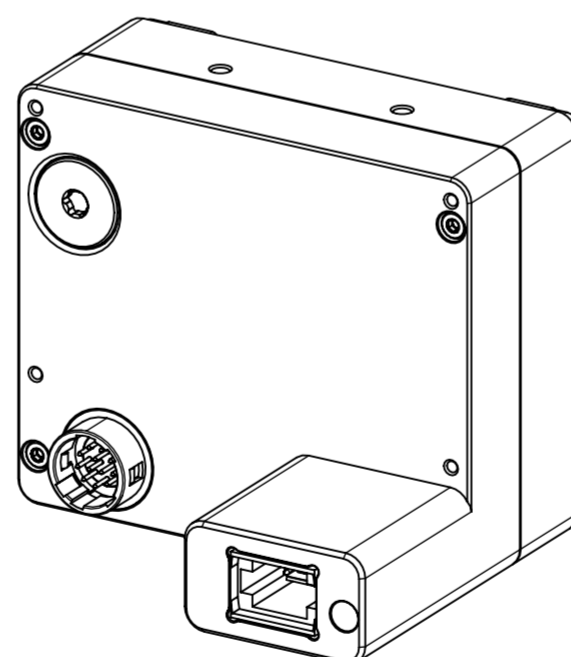
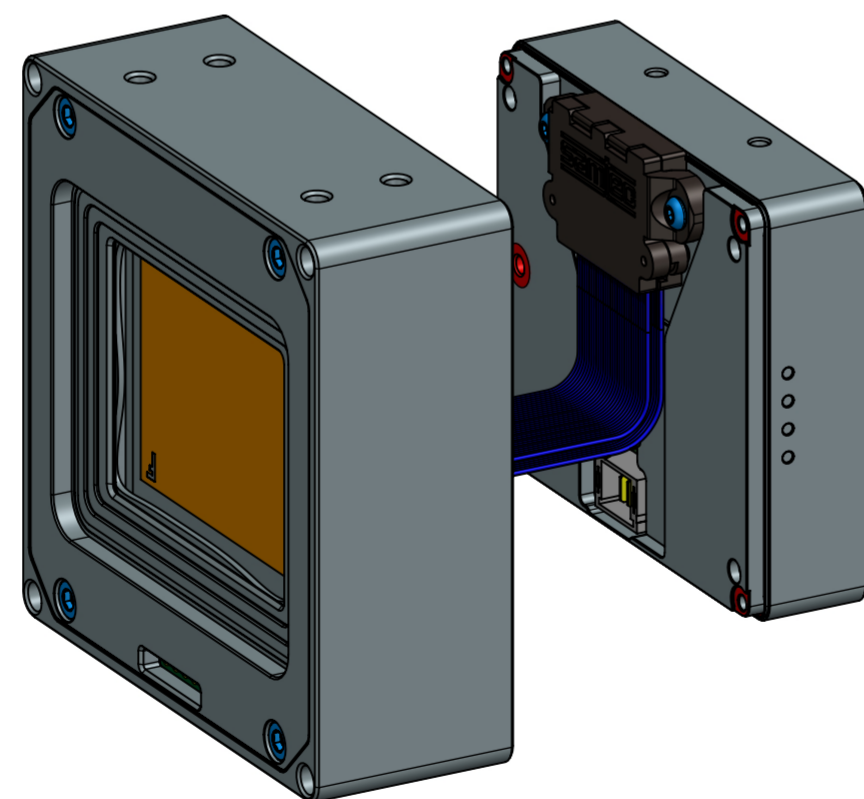
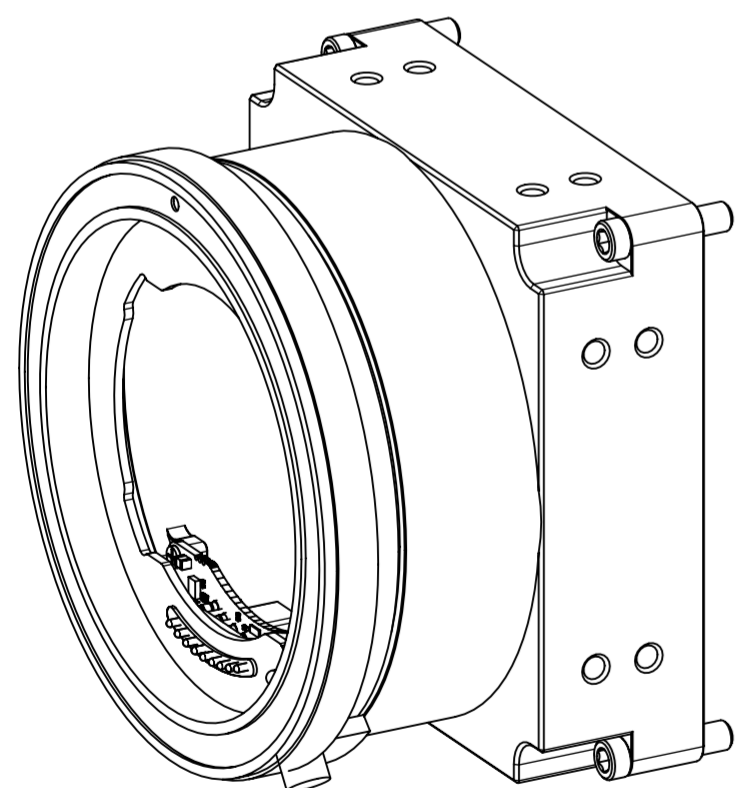
Water cooled heatsink



Hasselblad H system mount

Option with detached image sensor module
(Cable length up to 2m)

MTP (X4G3) back end
(optional accessory - additional to the Firefly)



* Designed for 6mm (water rated) tubes

This drawing is the property of XIMEA s.r.o. No use thereof shall be made other than as a reference for proposals as submitted to XIMEA s.r.o. for jobs to be executed in conformity with such proposals unless the consent of said XIMEA s.r.o. has previously been obtained. No part of this drawing shall be copied or duplicated or its contents disclosed. The information contained in this drawing is confidential and proprietary.

Designed	Date:	Name:	PN:	Customer PN:	Surface Quality:
Drawn	20220425	GS	MX1018xR-SY-X4G3-FF	NA	
Approved				Material:	Surface Finish:
QC					optical black
MFGP				First angle projection	Weight:
Department:	R&D	Default tolerances:		Units:	Scale: 1:1
				mm	Format
				Doc Type:	A2
				EU	Page:
				PART REVISION	1 of 1
				DOCUMENT REVISION	

