

1 2 3 4 5 6 7 8

A

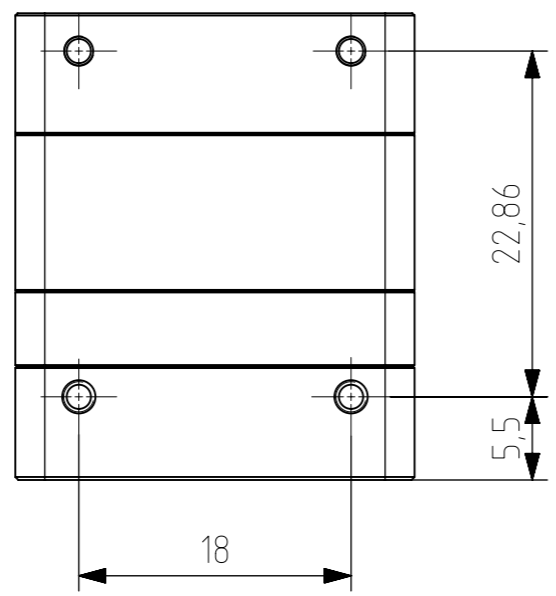
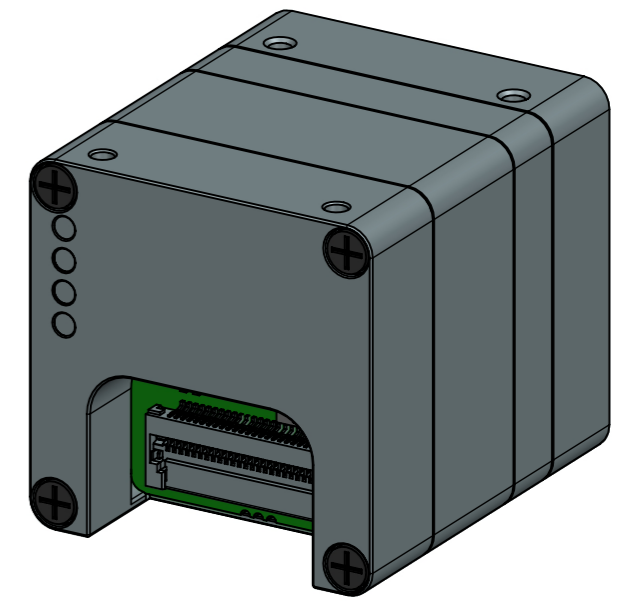
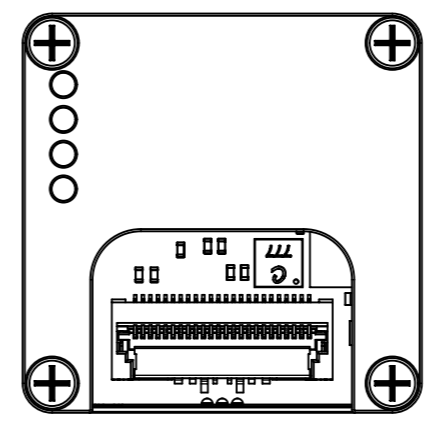
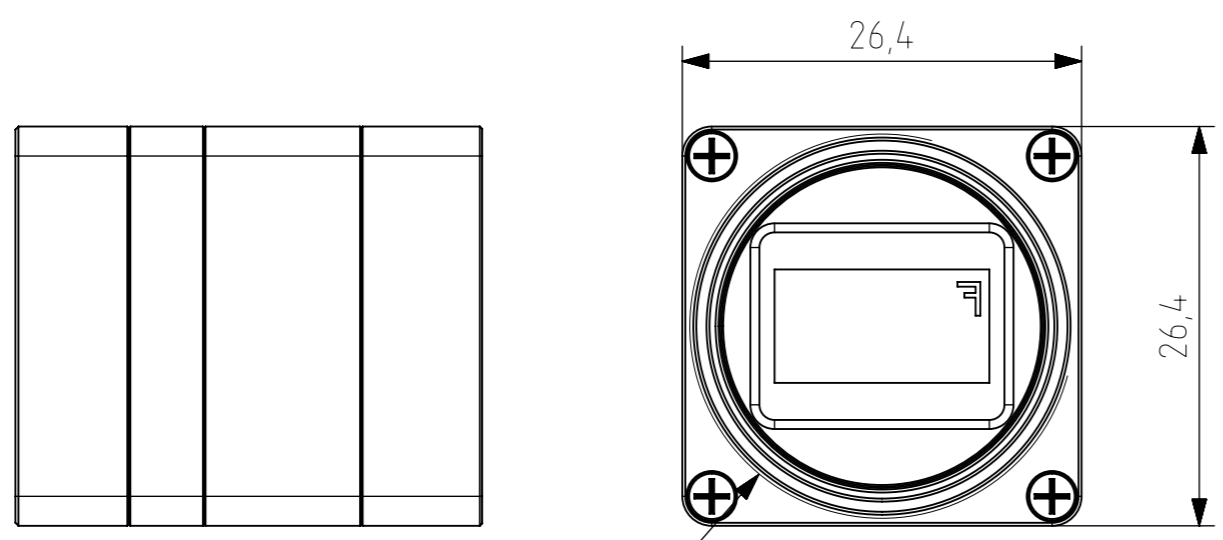
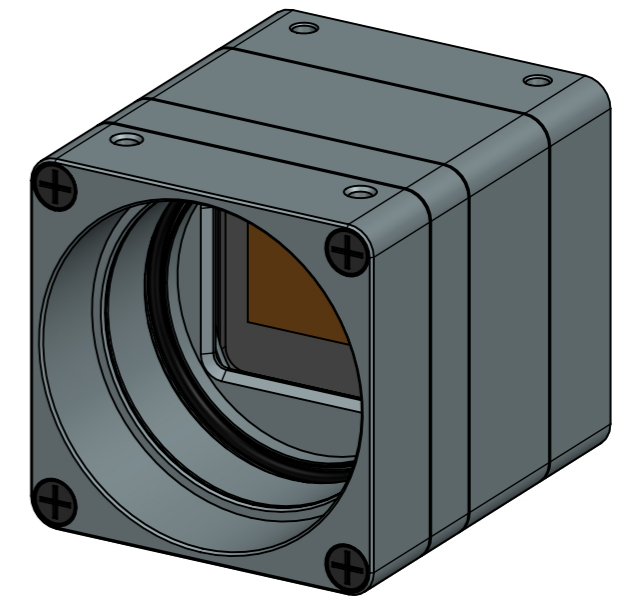
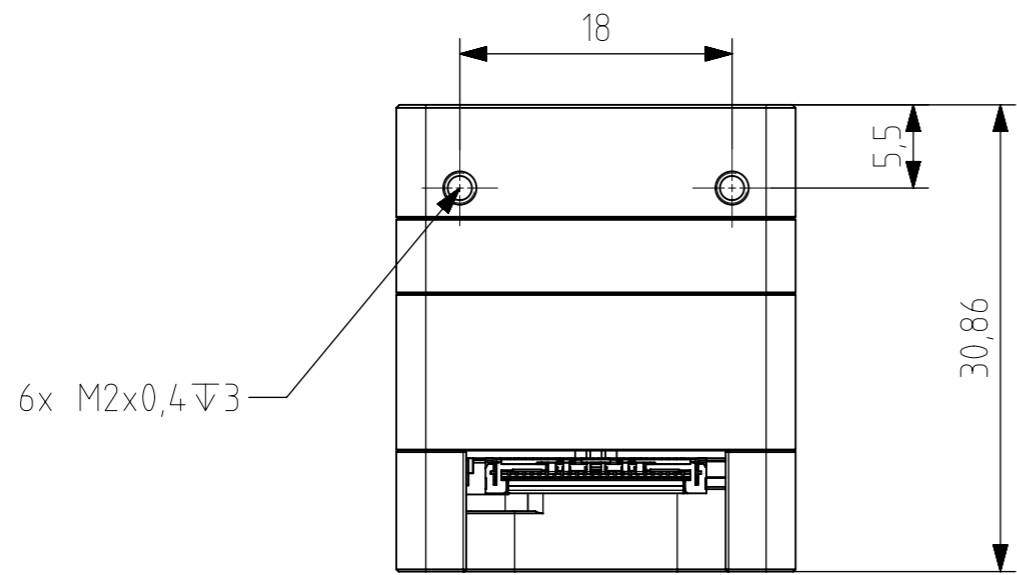
B

C


D

E

F



This drawing is the property of XIMEA s.r.o. No use thereof shall be made other than as a reference for proposals as submitted to XIMEA s.r.o. for jobs to be executed in conformity with such proposals unless the consent of said XIMEA s.r.o. has previously been obtained. No part of this drawing shall be copied or duplicated or its contents disclosed. The information contained in this drawing is confidential and proprietary.

| | | | | | | |
|---|----------|---------------------|--------------------|---------------|-------------------|--------|
| Designed | Date: | Name: | PN: | Customer PN: | Surface Quality: | |
| Drawn | 20220513 | GS | MX089xG-SY-X2G2-FL | Material: | Surface Finish: | |
| Approved | | | | Weight: | g | |
| QC | | | | Units: | Scale: 2:1 | Format |
| MFGP | | | | mm | A3 | |
| Department: | R&D | Default tolerances: | Change | Date | Name | |
| | | ISO2768-1 | Doc Type: | PART REVISION | DOCUMENT REVISION | |
|  | | | Doc Nr: | EU | Page: | |
| | | | | | 1 of 1 | |

1 2 3 4 5 6 7 8 A3