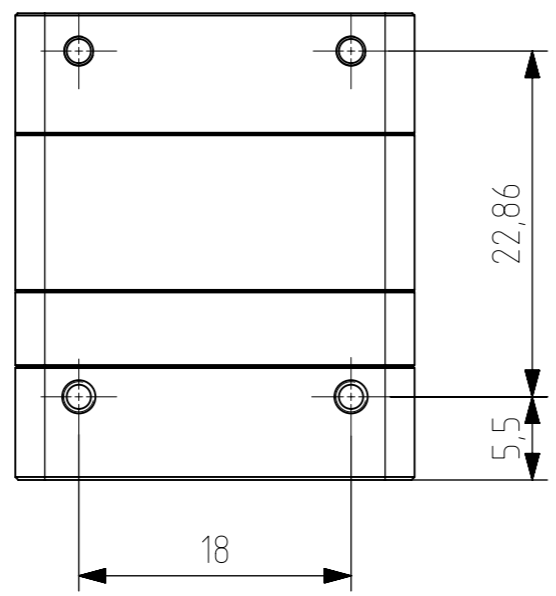
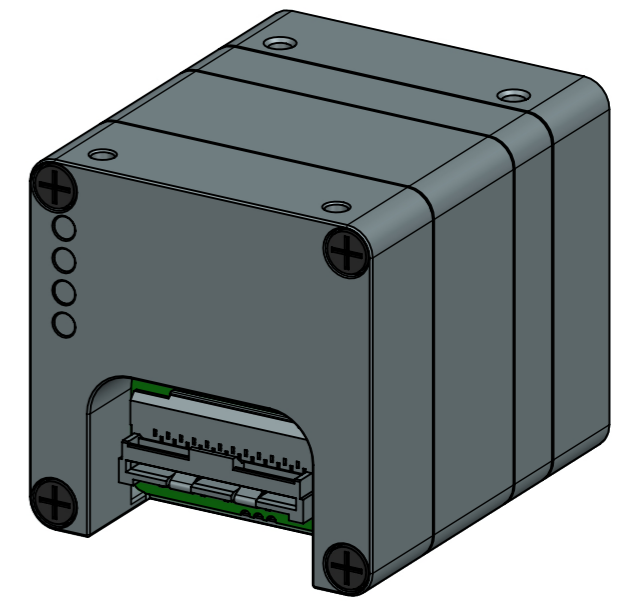
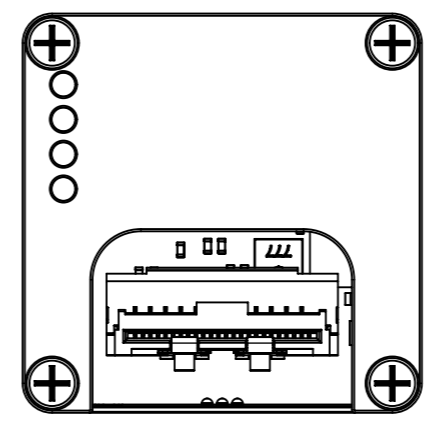
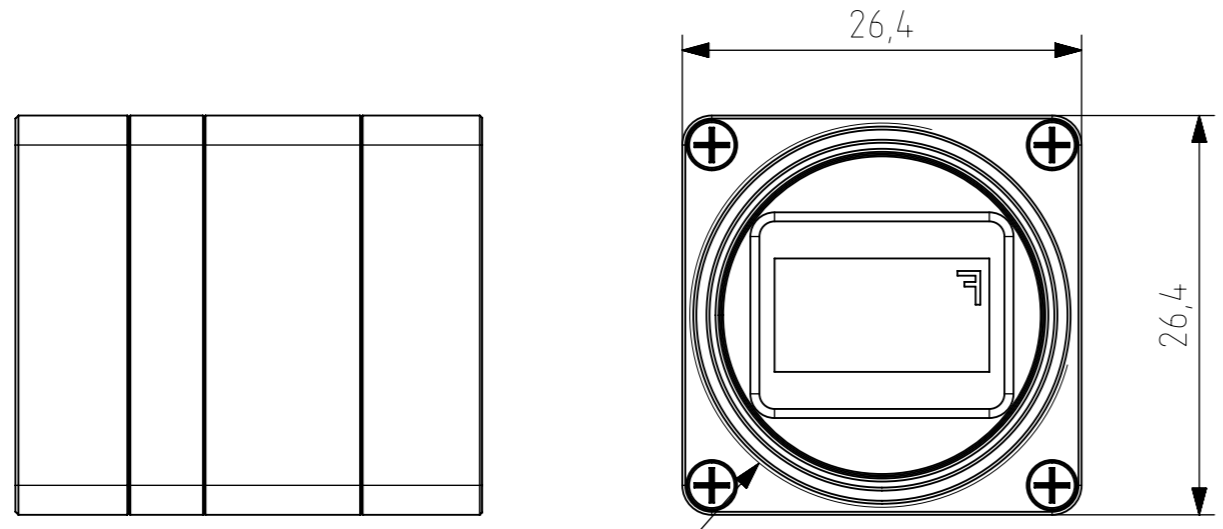
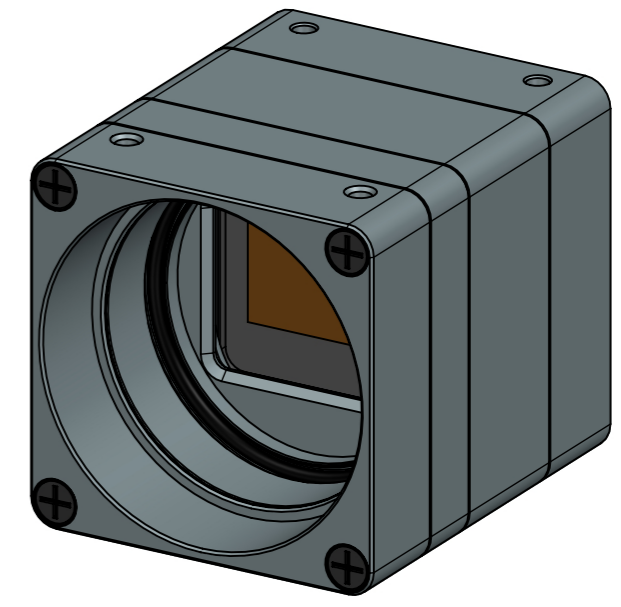
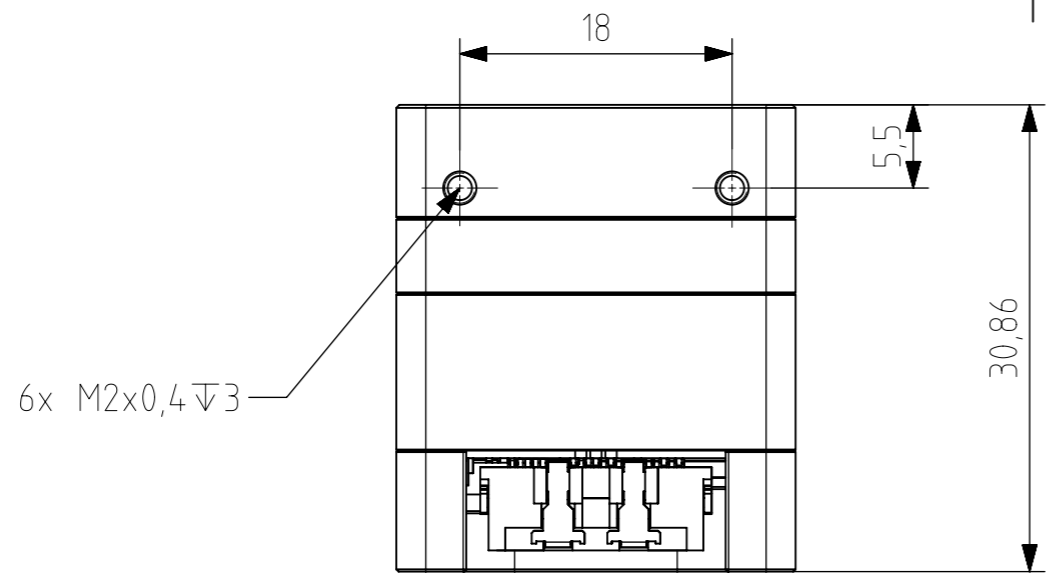


1 2 3 4 5 6 7 8

A B C D E F



This drawing is the property of XIMEA s.r.o. No use thereof shall be made other than as a reference for proposals as submitted to XIMEA s.r.o. for jobs to be executed in conformity with such proposals unless the consent of said XIMEA s.r.o. has previously been obtained. No part of this drawing shall be copied or duplicated or its contents disclosed. The information contained in this drawing is confidential and proprietary.

Designed	Date:	Name:	PN:	Customer PN:	Surface Quality:
Drawn	20220513	GS	MX089xG-SY-X2G2-FV	Material:	Surface Finish:
Approved				Weight:	
QC				g	
MFGP					
Department:	R&D	Default tolerances:	Change	Date	Name
		ISO2768-1			
			Document Nr:	Doc Type:	PART REVISION
				EU	DOCUMENT REVISION
					Page:
					1 of 1

1 2 3 4 5 6 7 8 A3