

1 2 3 4 5 6 7 8

A

B

C

D

E

F

A

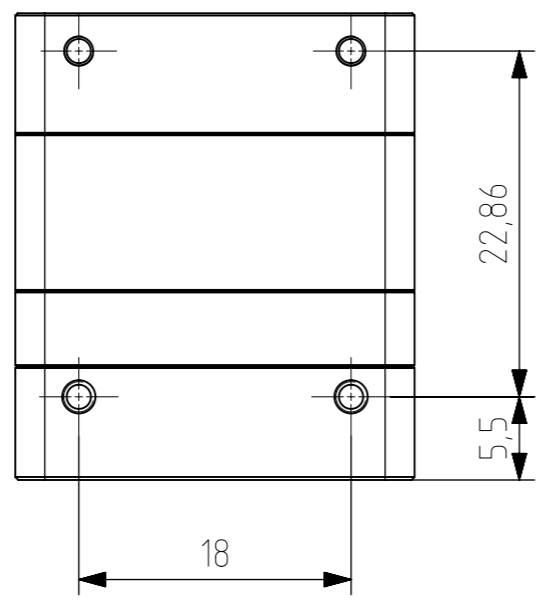
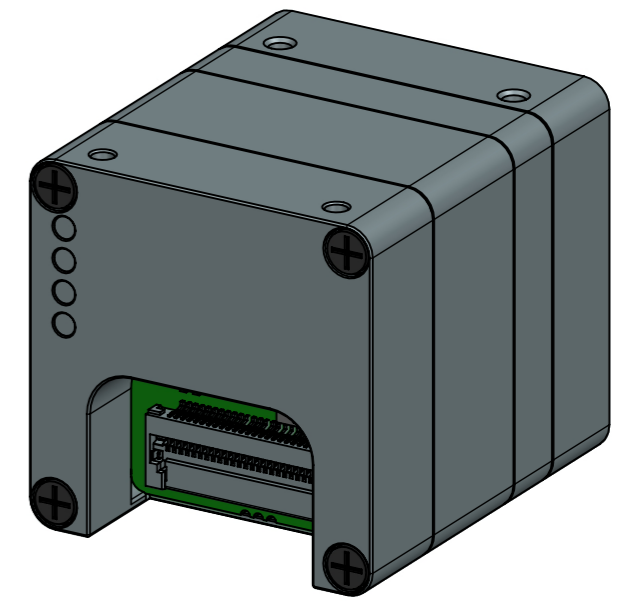
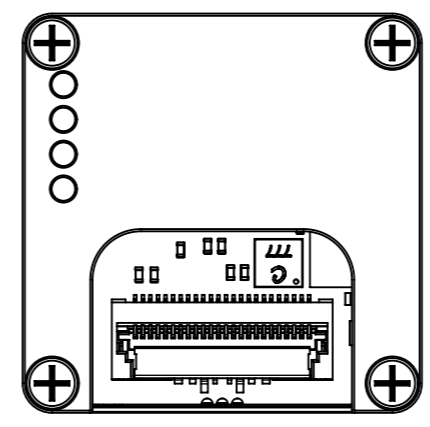
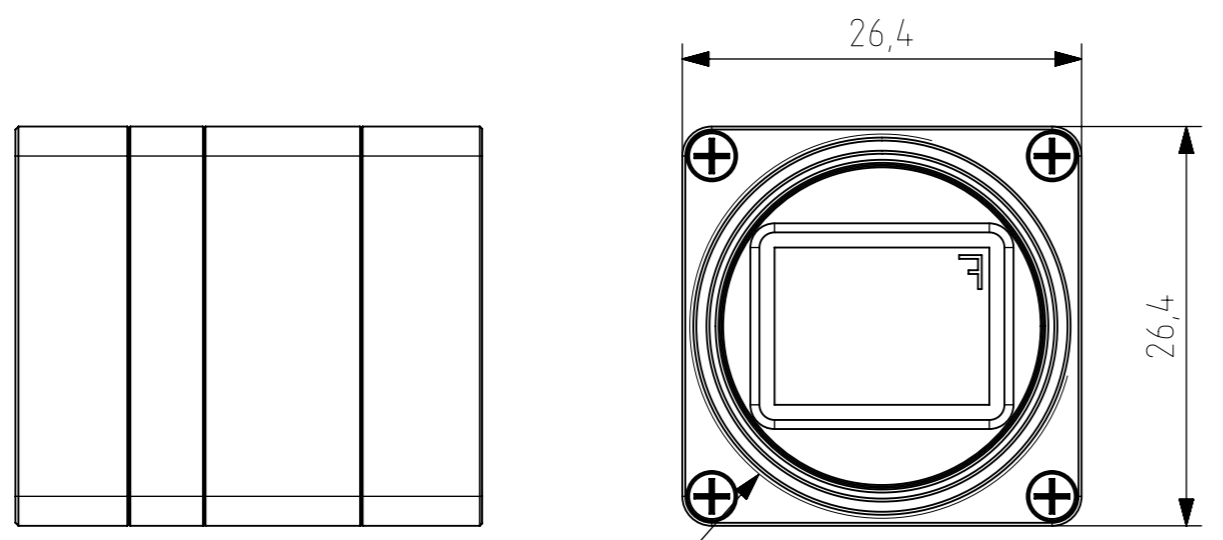
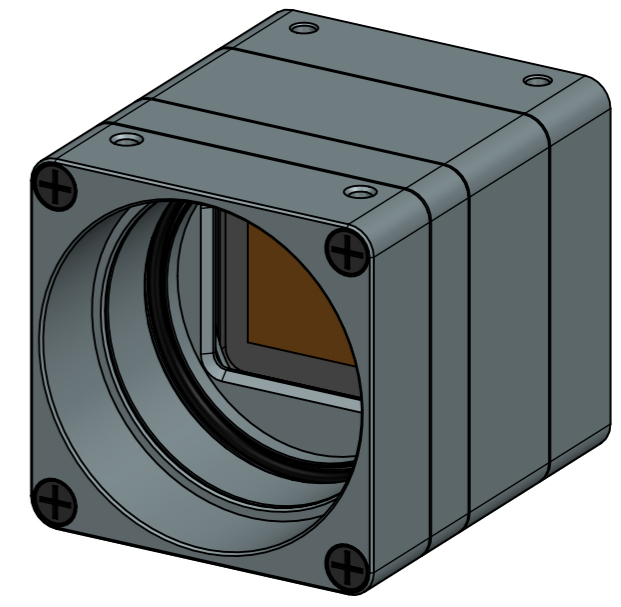
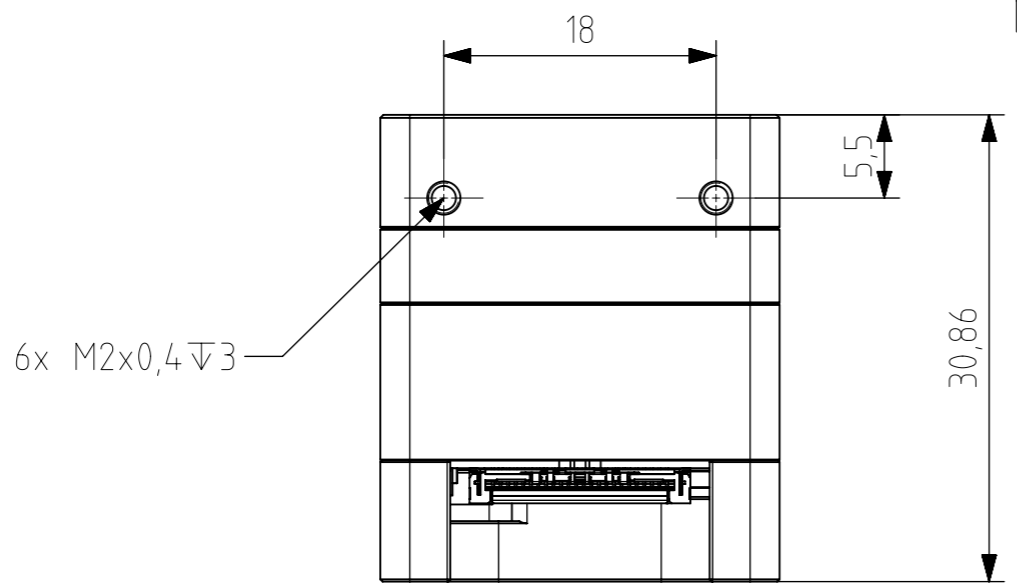
B

C

D

E

F



Designed	Date:	Name:	PN:	Customer PN:	Surface Quality:	
Drawn	20220513	GS	MX124xG-SY-X2G2-FL	Material:	Surface Finish:	
Approved				Weight:	g	
QC				Units:	Scale: 2:1	Format
MFGP				mm	A3	
Department:	R&D	Default tolerances:	Change	Date	Name	
		ISO2768-1	Doc Type:	PART REVISION	DOCUMENT REVISION	
			Doc Nr:	EU	Page:	
					1 of 1	

This drawing is the property of XIMEA s.r.o. No use thereof shall be made other than as a reference for proposals as submitted to XIMEA s.r.o. for jobs to be executed in conformity with such proposals unless the consent of said XIMEA s.r.o. has previously been obtained. No part of this drawing shall be copied or duplicated or its contents disclosed. The information contained in this drawing is confidential and proprietary.

1 2 3 4 5 6 7 8 A3