

Lens Accessory

Camera model

Backside connection options

Heatsink Options

Active EF mount

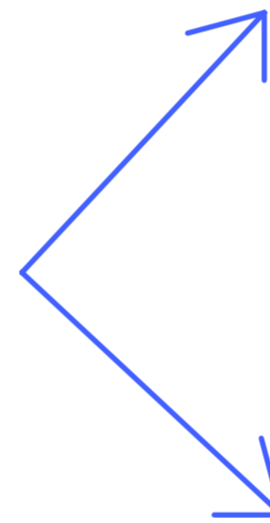
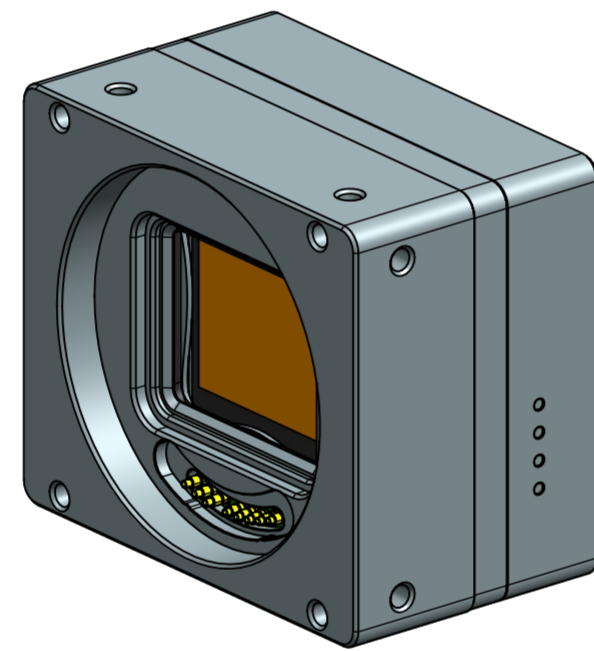
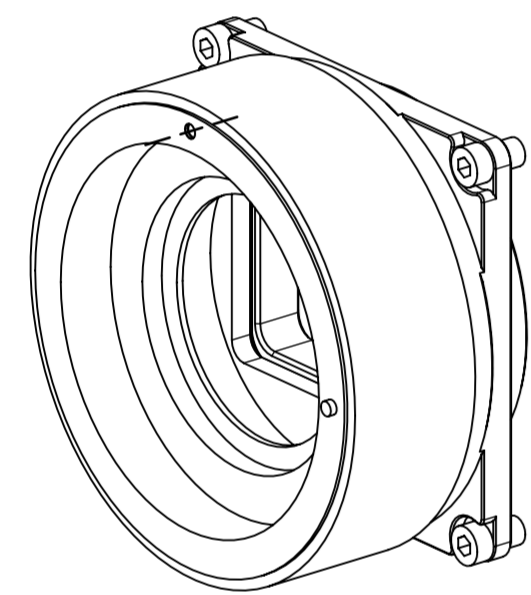
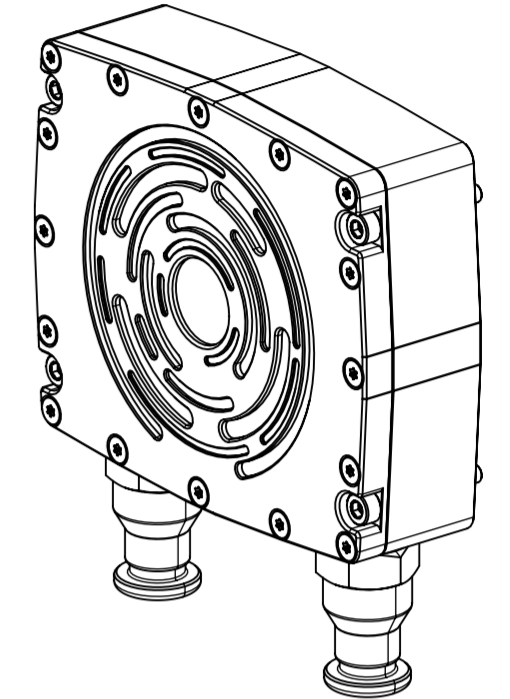
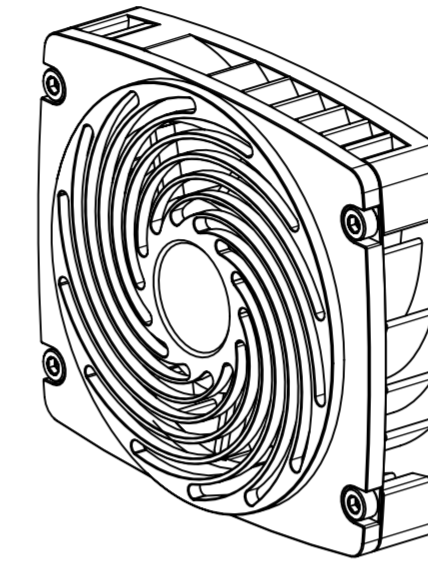
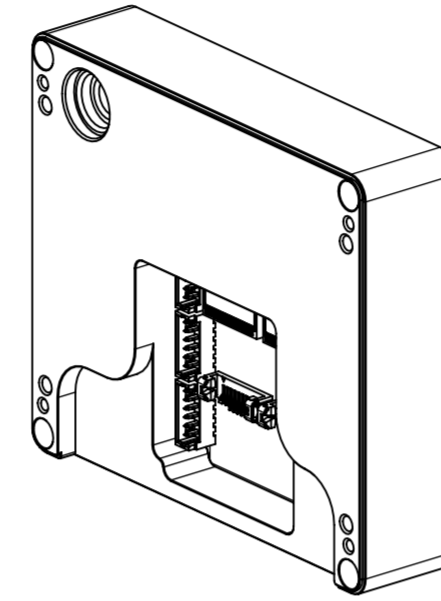
MX645
(based on Gpixel GMAX3265)

PCIe Gen3 x8 lanes cable connector - Firefly version
(Comes as the default version of the camera)

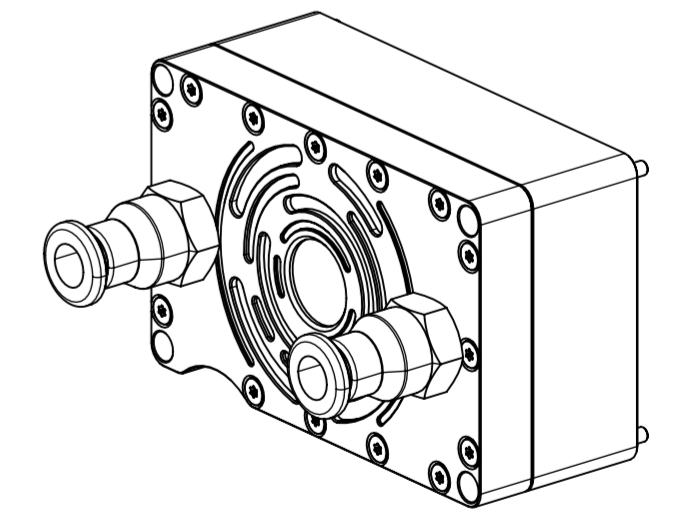
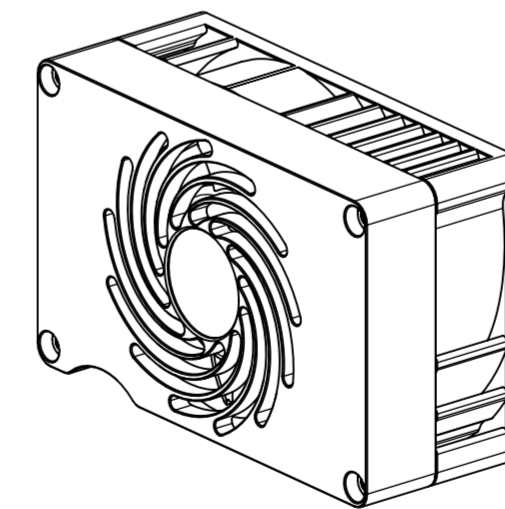
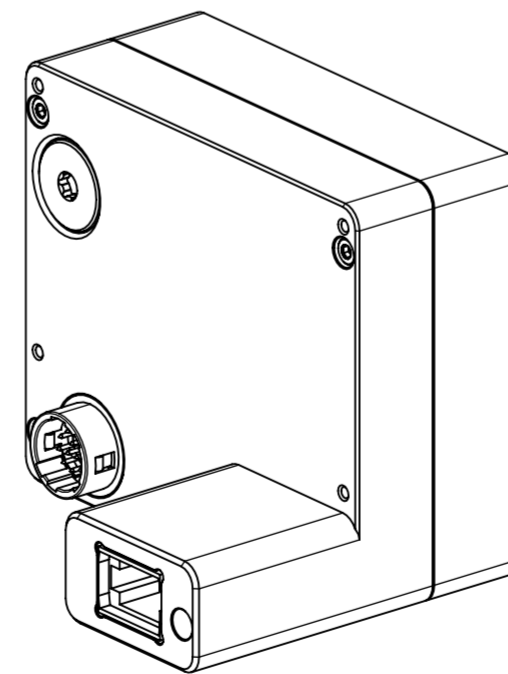
Air cooled heatsink

or

Water cooled heatsink



MTP (X8G3) back end
(optional accessory - additional to the Firefly)



This drawing is the property of XIMEA s.r.o. No use thereof shall be made other than as a reference for proposals as submitted to XIMEA s.r.o. for jobs to be executed in conformity with such proposals unless the consent of said XIMEA s.r.o. has previously been obtained. No part of this drawing shall be copied or duplicated or its contents disclosed. The information contained in this drawing is confidential and proprietary.

Designed	Date: 20190320	Name: R&D	PN: MX654xG-GP-X8G3-FF	Customer PN: NA	Surface Quality: Ra
Drawn	20220526	GS	Accessory diagram	Material:	Surface Finish: optical black
Approved				QC	Weight:
MFGP			Department: R&D	Units: mm	Scale: A2
			Default tolerances:	Doc Type: EU	Format: A2
				PART REVISION	DOCUMENT REVISION
				A	Page: 1 of 1