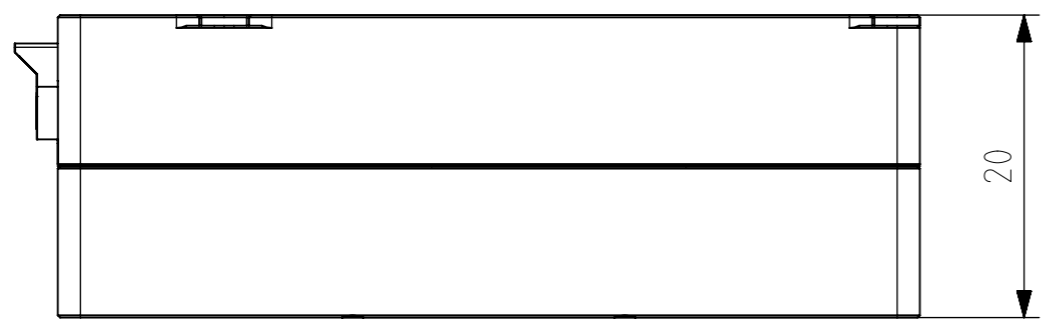


1 2 3 4 5 6 7 8

A B C D E F

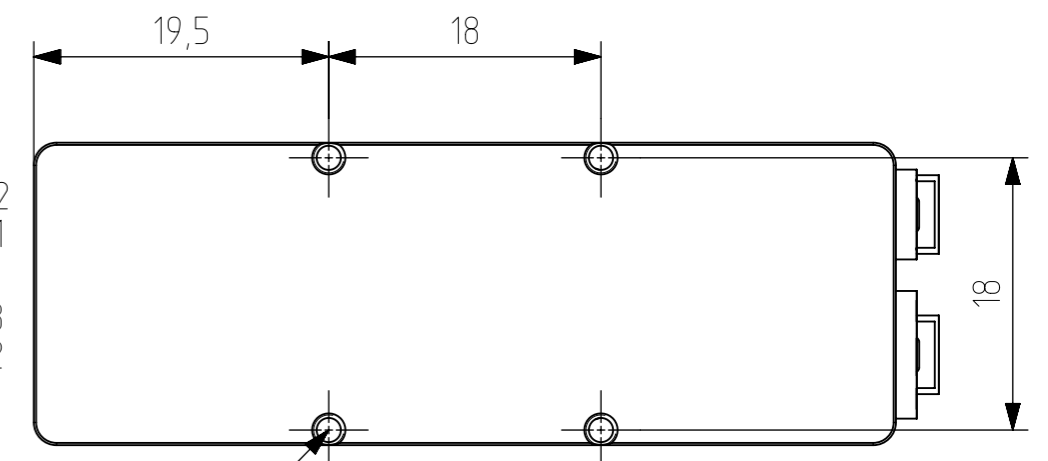
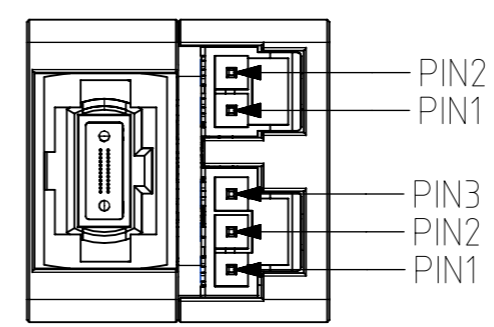
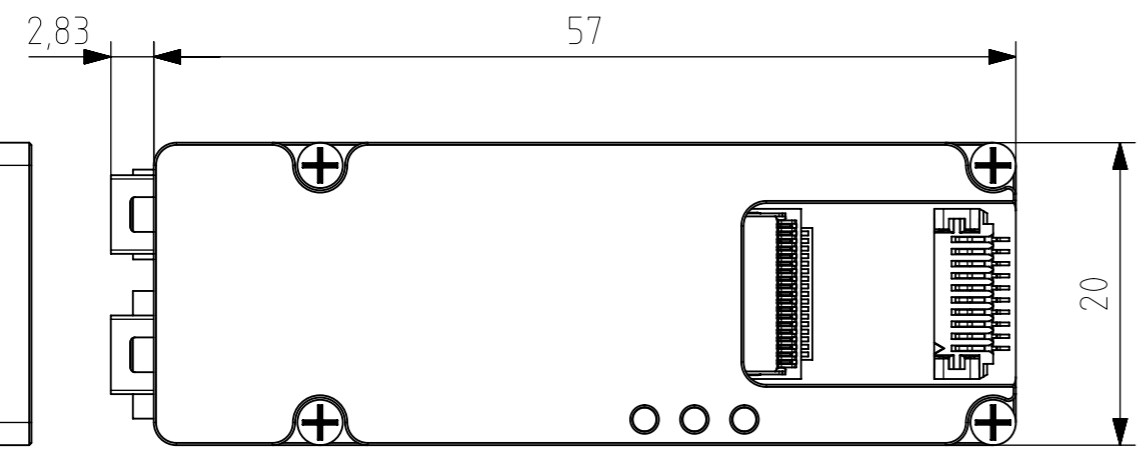
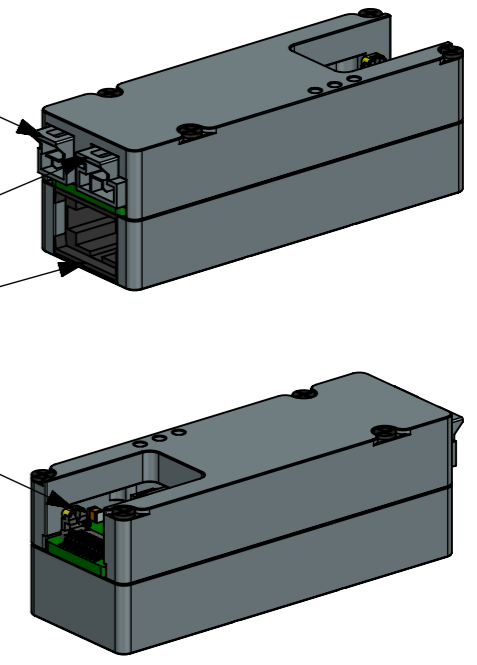


NanoFit 2pos Power Connector 1053131202

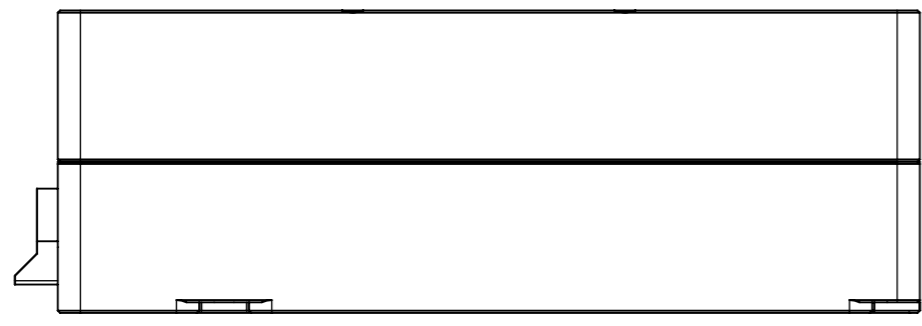
NanoFit 3pos IO Connector 1053131203

MTP optical connector

Firefly connector



4x M2x0,4 ∇ 3



Power connector (2POS)	PIN1	PWR
	PIN2	GND
IO connector (3POS)	PIN1	ISO_GPI
	PIN2	ISO_GND
	PIN3	ISO_GPO

Designed	Date:	Name:	PN:	Customer PN:	Surface Quality:		
Drawn	20212012	GS	ADPT-1P-X4G3-FF-X4G3-MTP	NA	Ra		
Approved				PN MFG	Material:	Surface Finish:	
QC				First angle projection	Weight:		
MFGP					Units:	Scale:	Format
Department:	R&D	Default tolerances:	Change	Date	Name	mm	A3
			Doc Type:		PART REVISION	DOCUMENT REVISION	Page:
			EU		A	1 of 1	

This drawings is the property of XIMEA s.r.o. No use thereof shall be made other than as a reference for proposals as submitted to XIMEA s.r.o. for jobs to be executed in conformity with such proposals unless the consent of said XIMEA s.r.o. has previously been obtained. No part of this drawing shall be copied or duplicated or its contents disclosed. The information contained on this drawing is confidential and proprietary.

1 2 3 4 5 6 7 8 A3