

1 2 3 4 5 6 7 8

A A

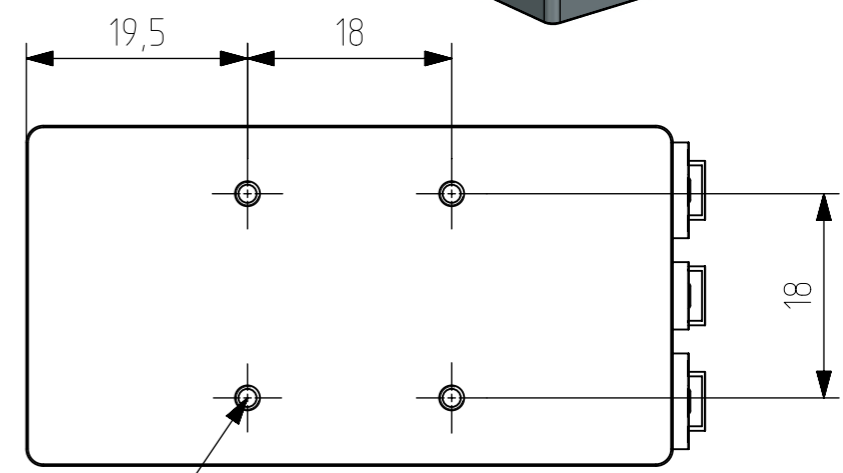
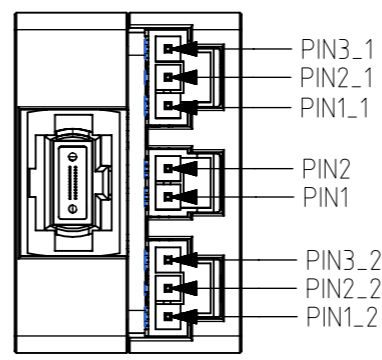
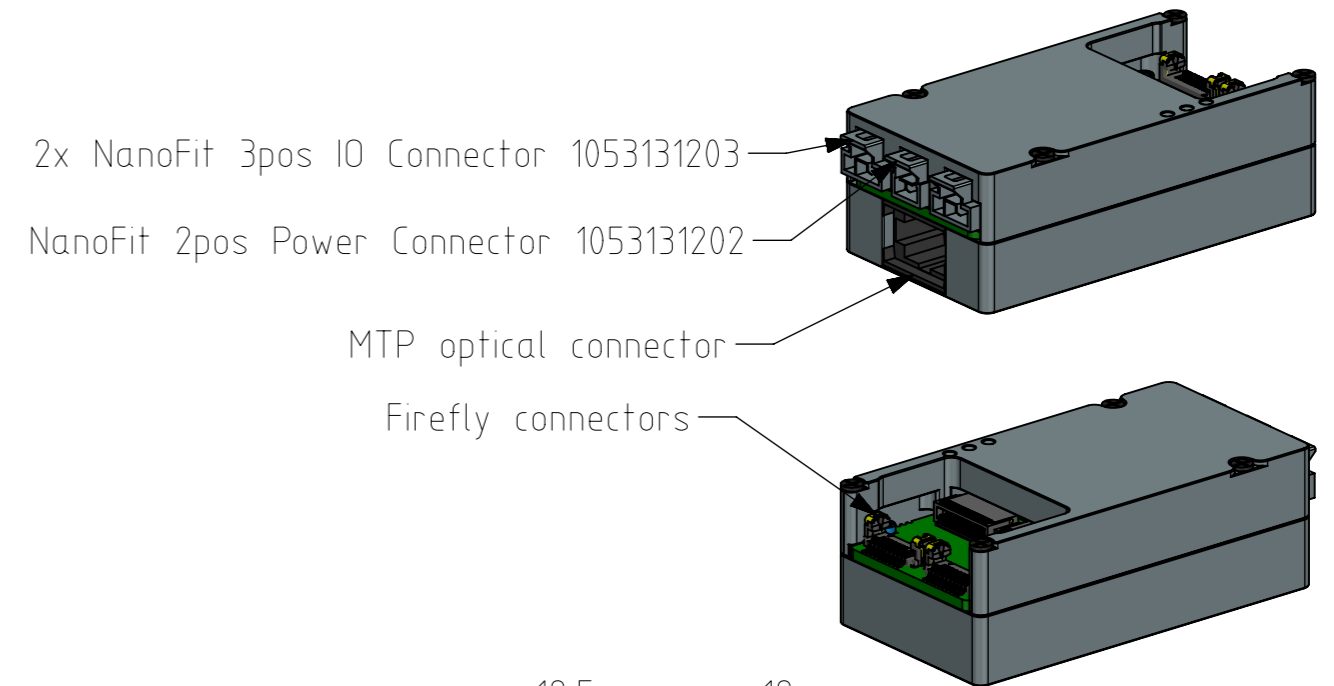
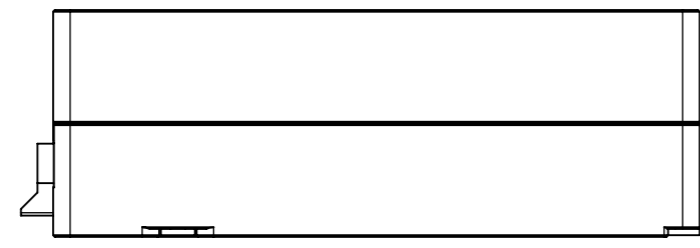
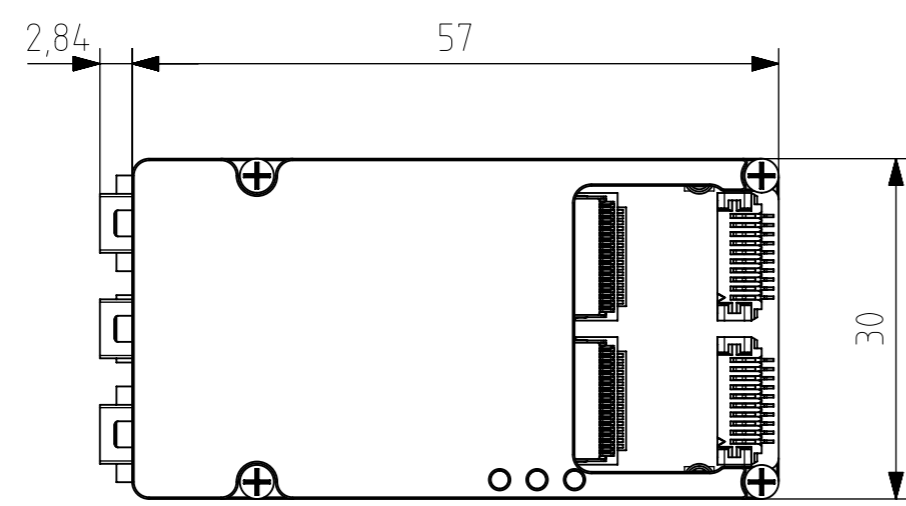
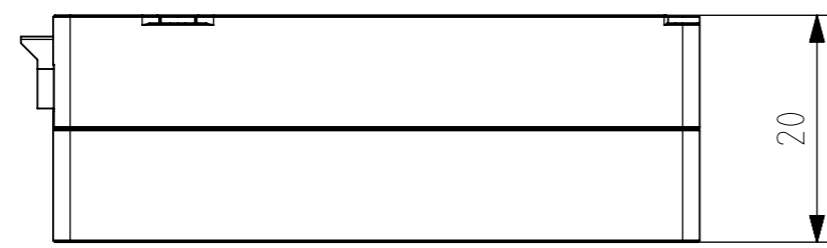
B B

C C

D D

E E

F F



4x M2x0,4 ∇ 3

Power connector (2POS)	PIN1	PWR
	PIN2	GND
IO connector 1 (3POS)	PIN1_1	ISO_GPI1
	PIN2_1	ISO_GND
	PIN3_1	ISO_GPO1
IO connector 2 (3POS)	PIN1_2	ISO_GPI2
	PIN2_2	ISO_GND
	PIN3_2	ISO_GPO2

Date:	Name:	PN:	Customer PN:	Surface Quality:
Designed -	R&D	ADPT-1P-X8G3-FF-X8G3-MTP	NA	Ra
Drawn 20212012	GS		Material:	Surface Finish:
Approved		PN MFG	First angle projection	Weight:
QC				Units: mm
MFPG			Doc Type: EU	Page: 1 of 1
Department: R&D	Default tolerances:	Change Date Name	PART REVISION	DOCUMENT REVISION A

This drawings is the property of XIMEA s.r.o. No use thereof shall be made other than as a reference for proposals as submitted to XIMEA s.r.o. for jobs to be executed in conformity with such proposals unless the consent of said XIMEA s.r.o. has previously been obtained. No part of this drawing shall be copied or duplicated or its contents disclosed. The information contained on this drawing is confidential and proprietary.



1 2 3 4 5 6 7 8 A3