

1 2 3 4 5 6 7 8

A

B

C

D

E

F

A

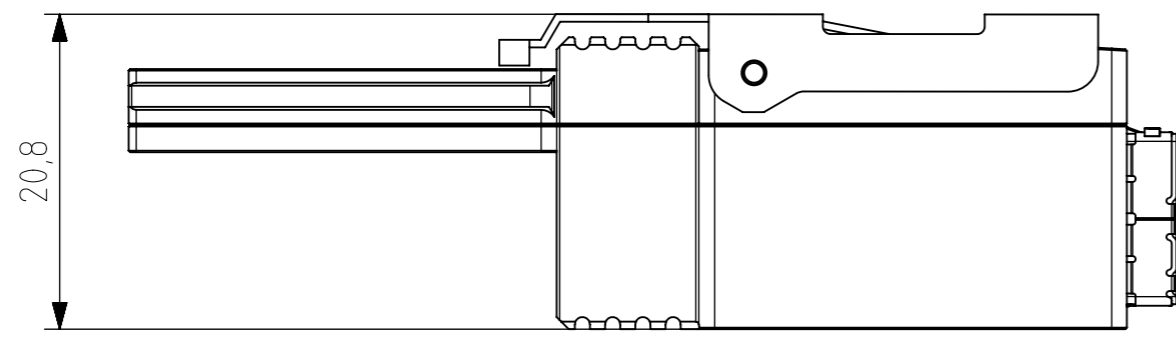
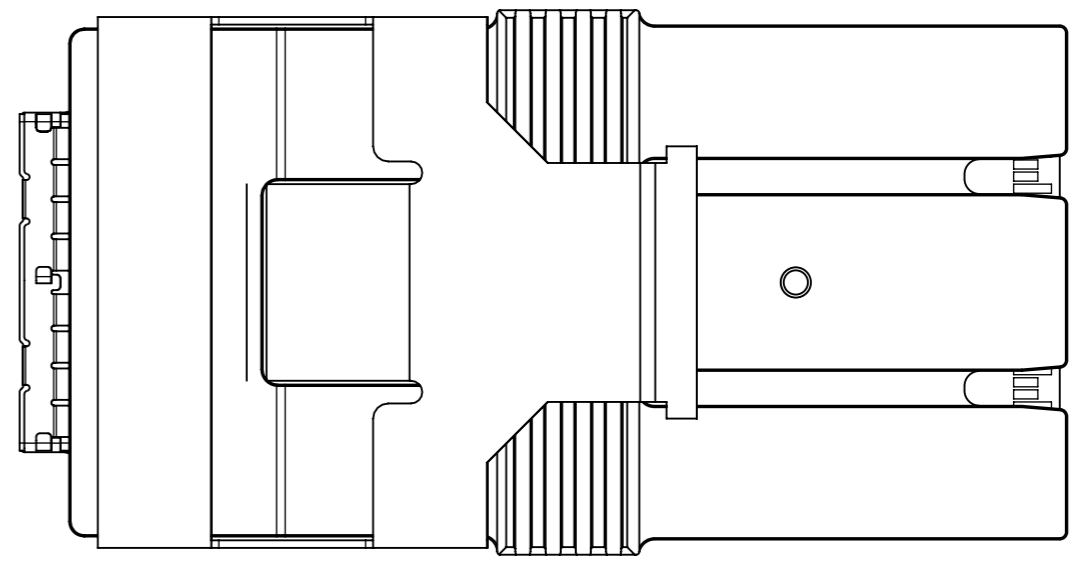
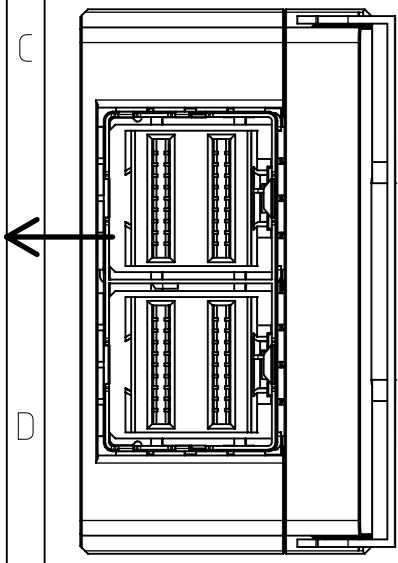
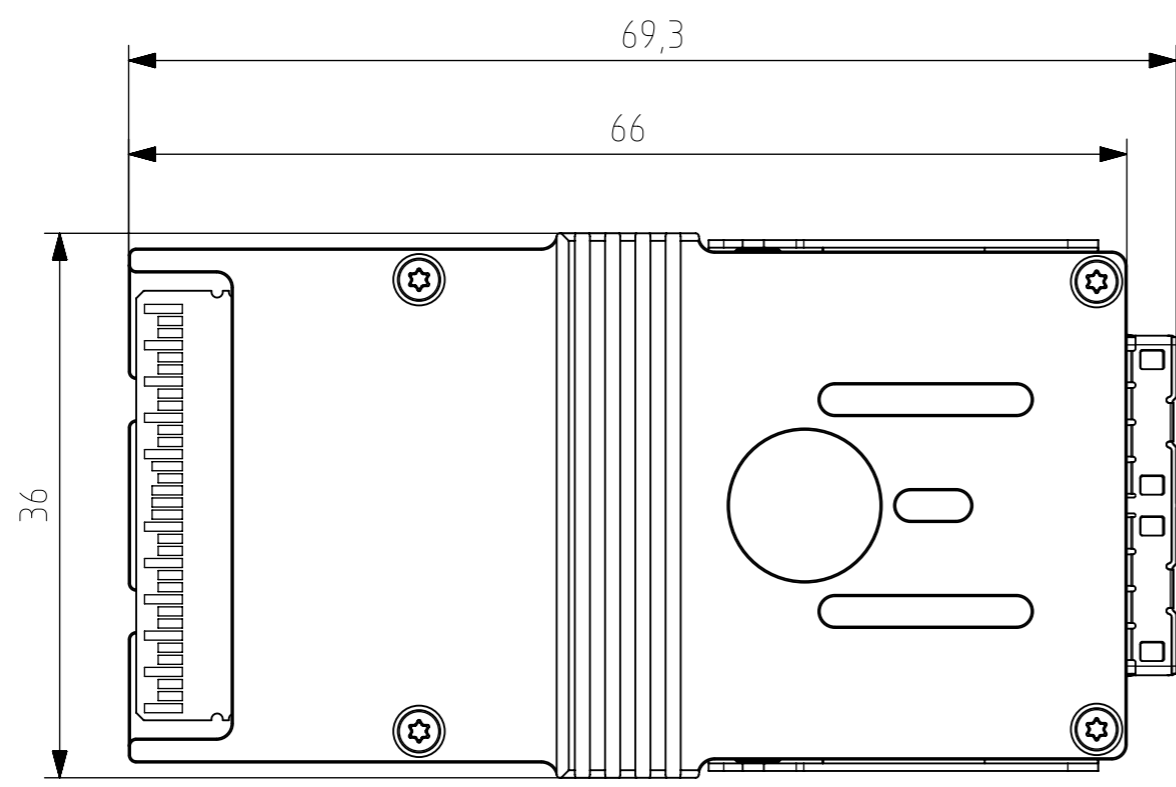
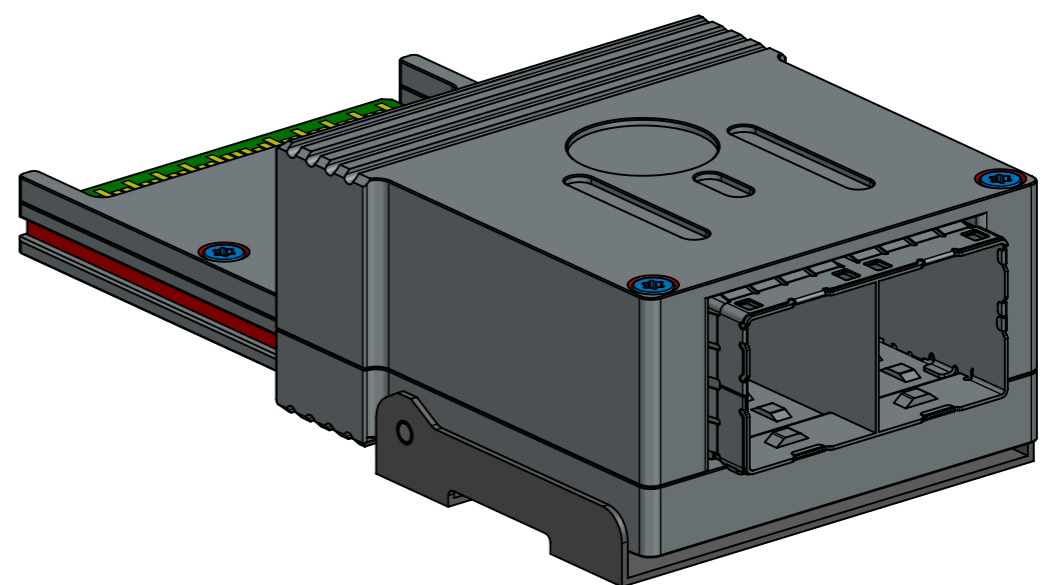
B

C

D

E

F



This drawing is the property of XIMEA s.r.o. No use thereof shall be made other than as a reference for proposals as submitted to XIMEA s.r.o. for jobs to be executed in conformity with such proposals unless the consent of said XIMEA s.r.o. has previously been obtained. No part of this drawing shall be copied or duplicated or its contents disclosed. The information contained in this drawing is confidential and proprietary.

Designed	Date:	Name:	PN:	Customer PN:	Surface Quality:
Drawn	20221104	GS	XC-X8G3-SFF-X8G3-IPASS	NA	Ra
Approved			PN MFG	Material:	Surface Finish:
QC					optical black
MFGP				Weight:	
Department:	R&D	Default tolerances:		Units:	Scale:
				mm	
				Doc Type:	Format
				EU	A3
				PART REVISION	Page:
				DOCUMENT REVISION	1 of 1



1 2 3 4 5 6 7 8