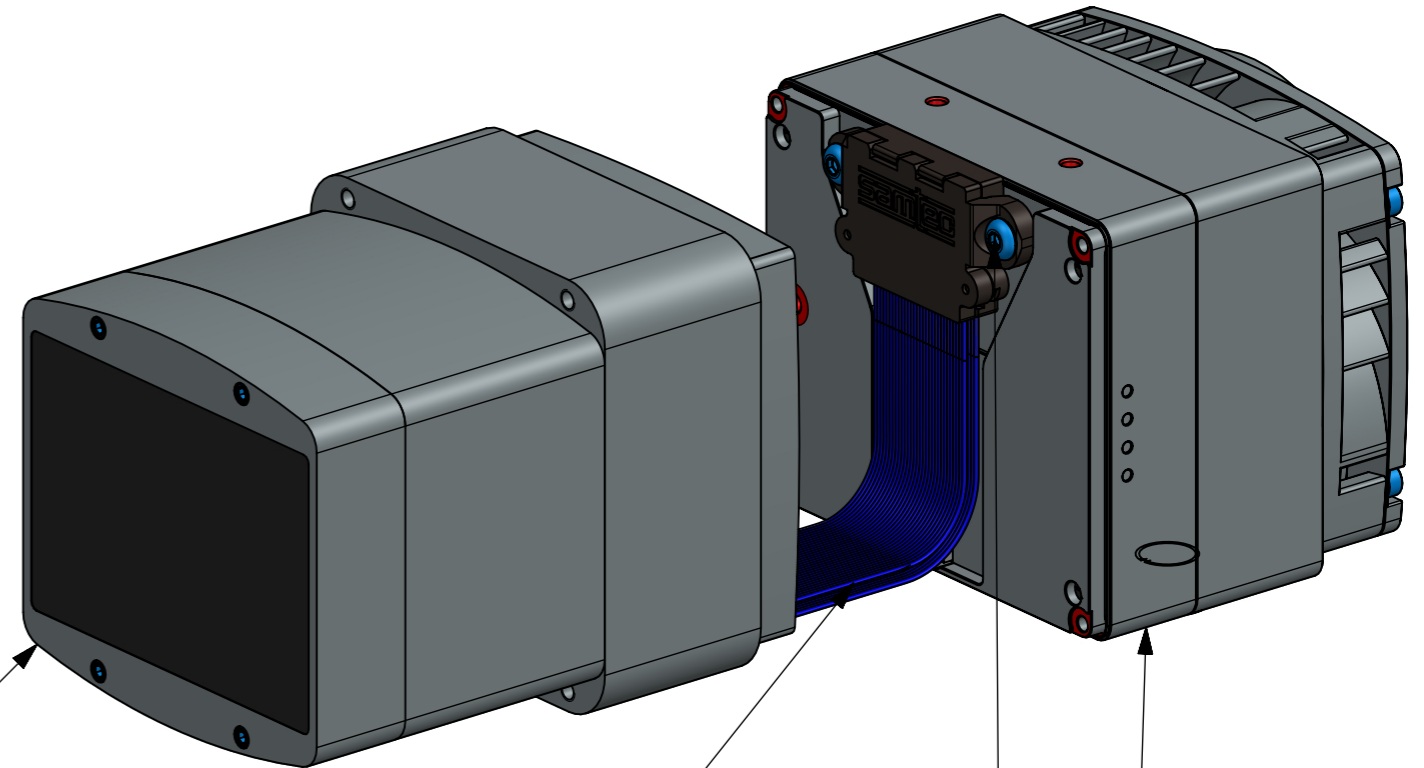
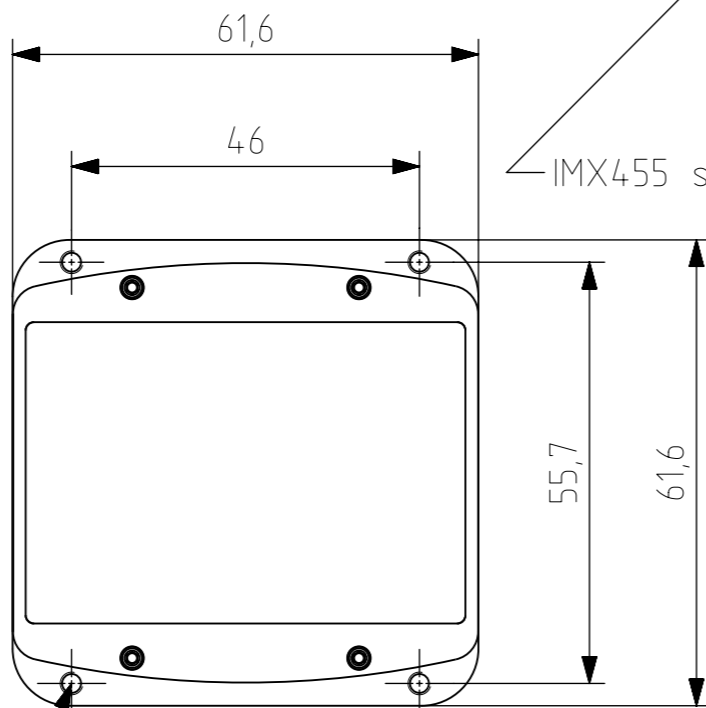
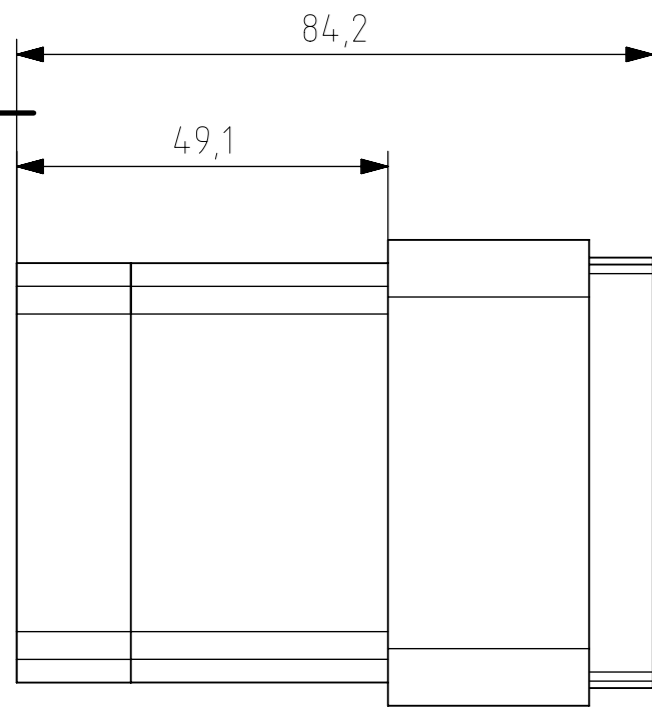
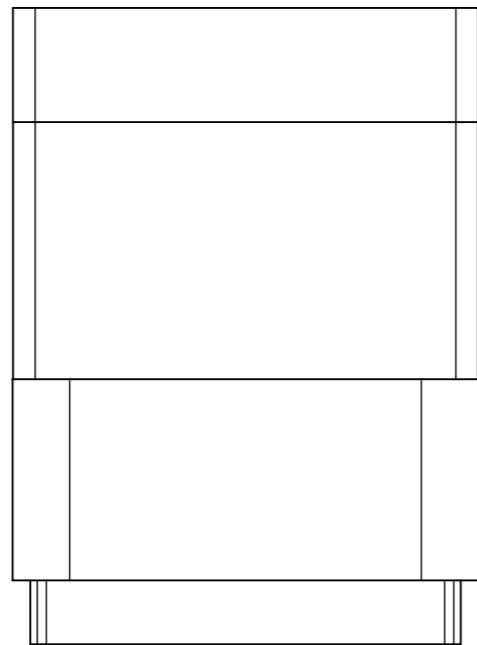
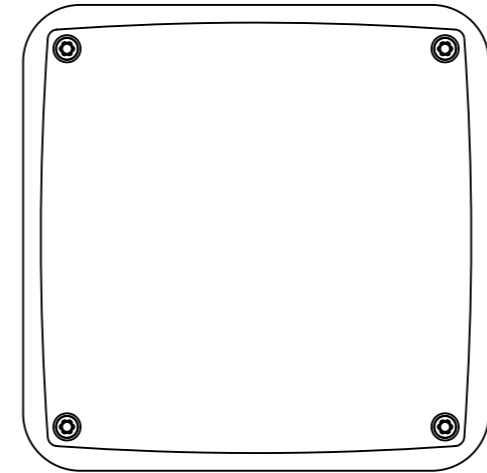


1 2 3 4 5 6 7 8

A B C D E F



IMX455 sensor head with 1.5:1 taper (BLS59-6) and 20mm FOP (BYD61-6) with 150um Csl coating



4x M3x0,5\sqrt{5}

Designed	-	R&D	PN:	Customer PN:	Surface Quality:
Drawn	20230125	GS	MX610XR-SY-X4G3-TP15:1-C	NA	Ra
Approved			PN MFG	Material:	Surface Finish:
QC				First angle projection	Weight:
MFGP				Units:	Scale: 1:1
Department:	R&D	Default tolerances:	Change	Date	Name
			EU	PART REVISION	DOCUMENT REVISION
					Page: 1 of 1



This drawings is the property of XIMEA s.r.o. No use thereof shall be made other than as a reference for proposals as submitted to XIMEA s.r.o. for jobs to be executed in conformity with such proposals unless the consent of said XIMEA s.r.o. has previously been obtained. No part of this drawing shall be copied or duplicated or its contents disclosed. The information contained on this drawing is confidential and proprietary.

1 2 3 4 5 6 7 8