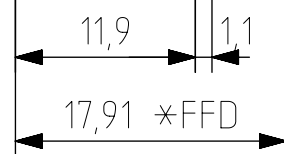
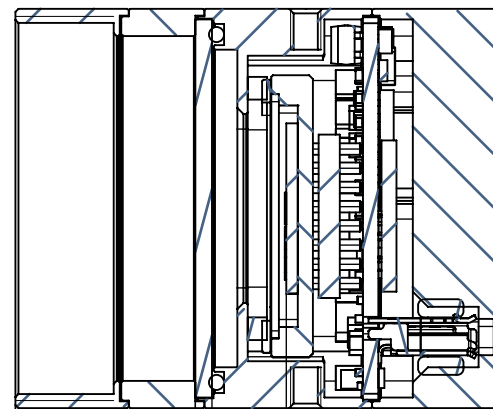
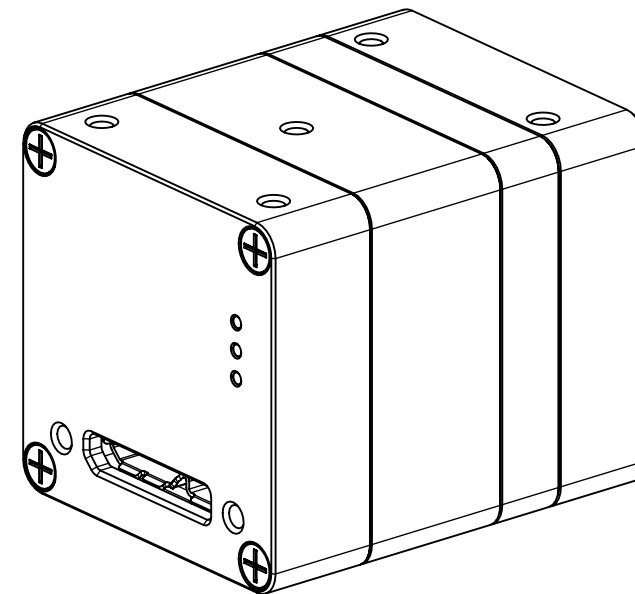
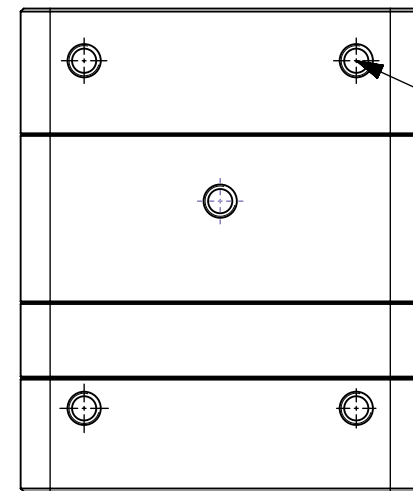


C-mount
1"x32TPI ∇ 6,0

SECTION S-S



5x M2x0,4 ∇ 2
Max torque 0.3Nm



*FFD is flange focal distance between the front flange surface and the sensor active surface.