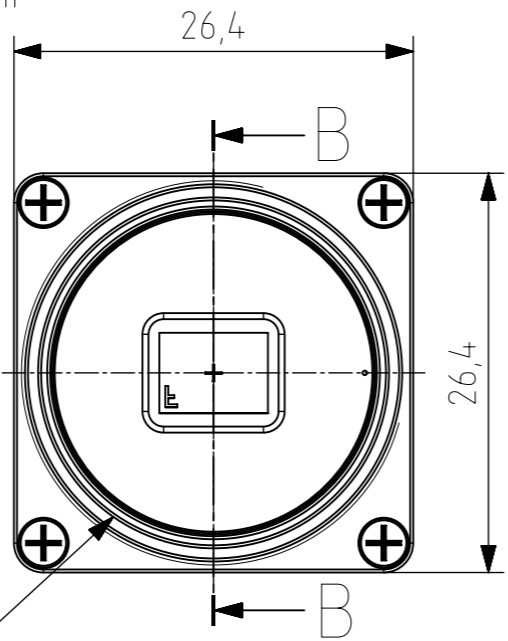
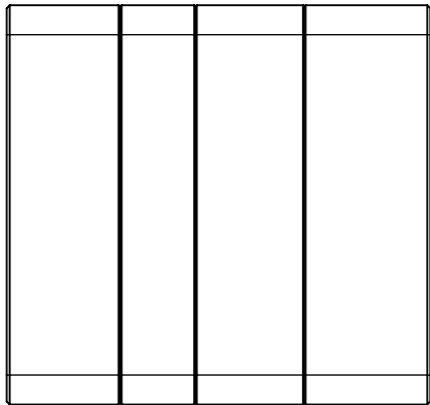
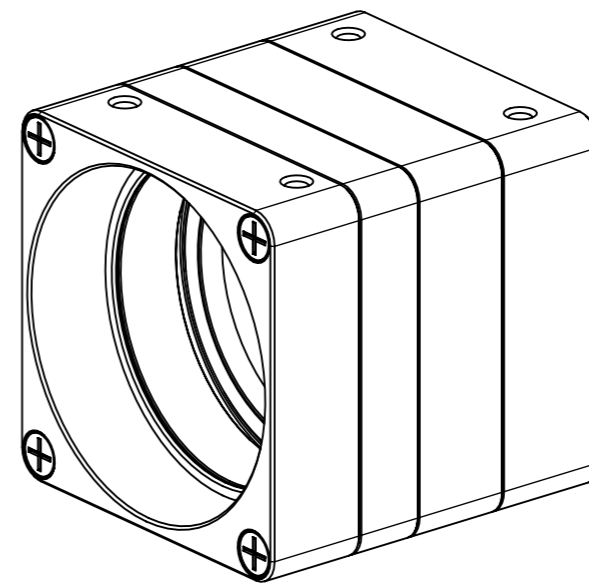
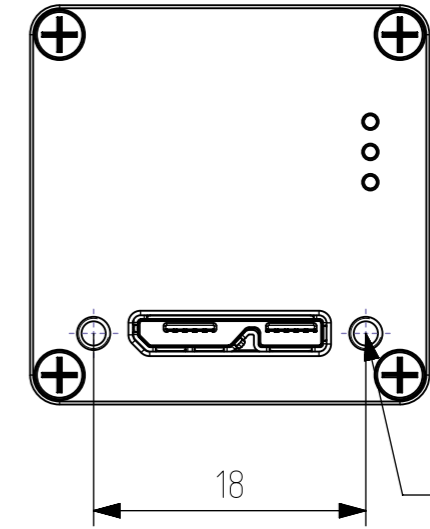
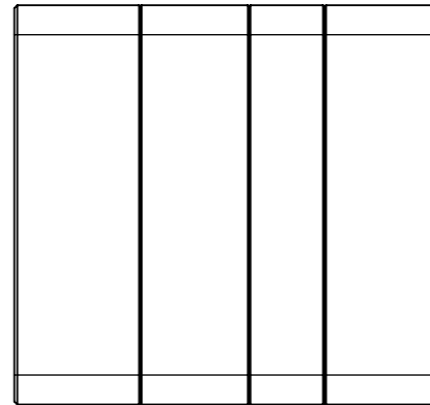


4x M2x0,4  $\nabla$ 2  
Max torque 0.3Nm

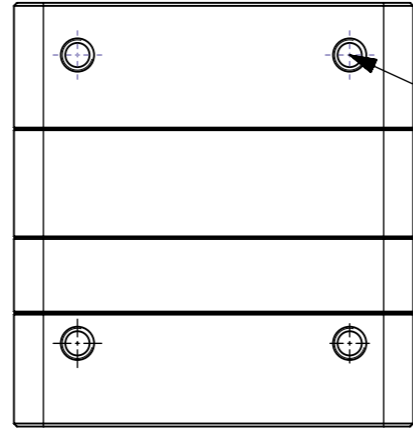
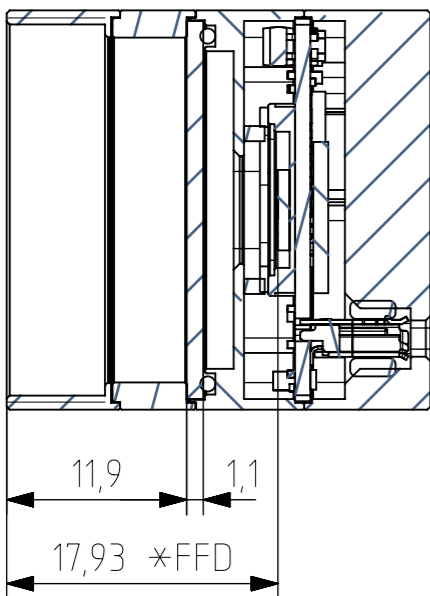


C-mount  
1"x32TPI  $\nabla$ 6,0

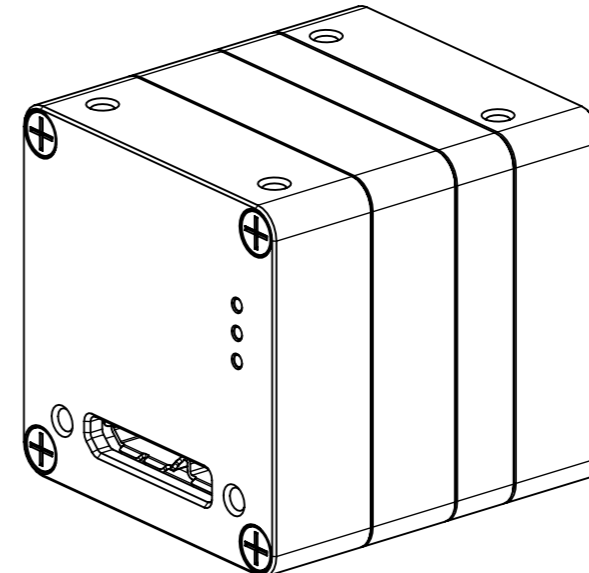


2x M2x0,4  $\nabla$ 3,2  
Max torque 0.3Nm

SECTION B-B



4x M2x0,4  $\nabla$ 2  
Max torque 0.3Nm



\*FFD is flange focal distance between the front flange surface and the sensor active surface.