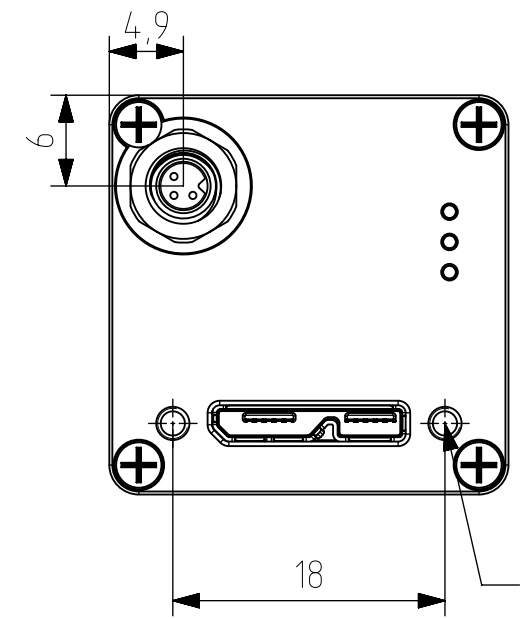
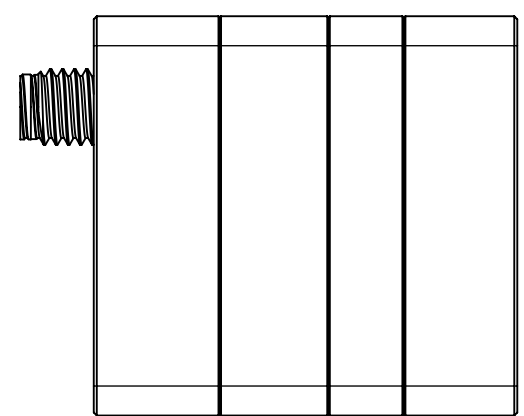
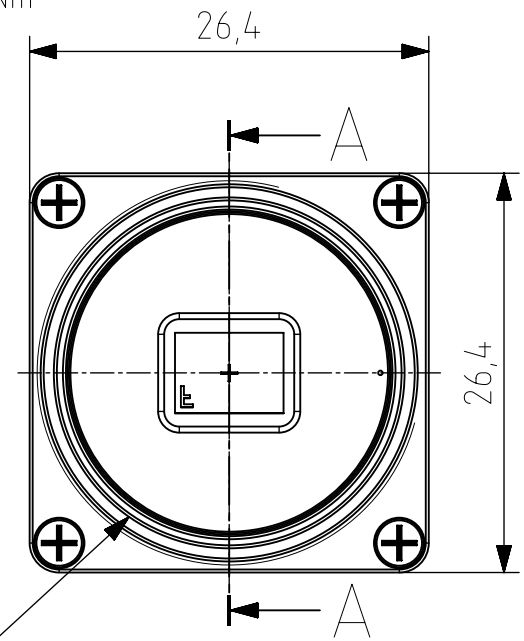
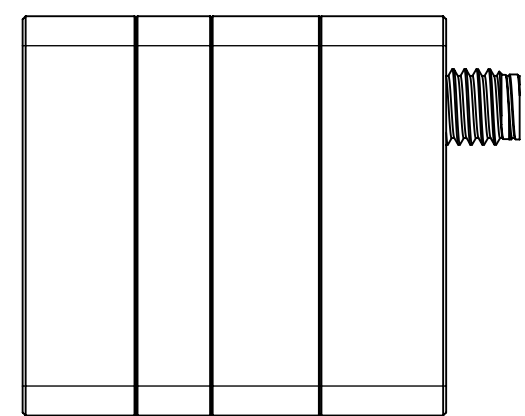


4x M2x0,4  $\nabla$ 2  
Max torque 0.3Nm

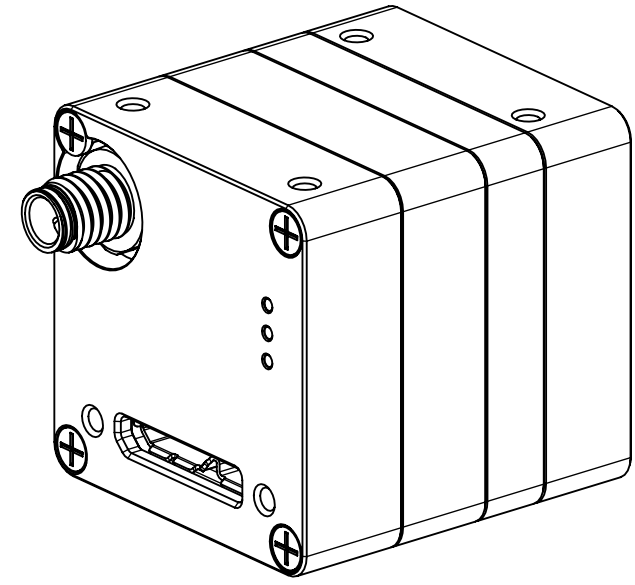
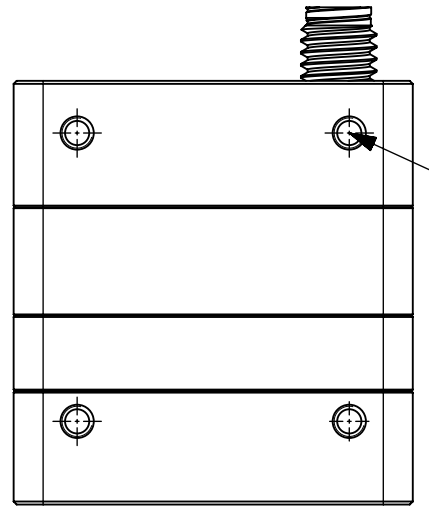
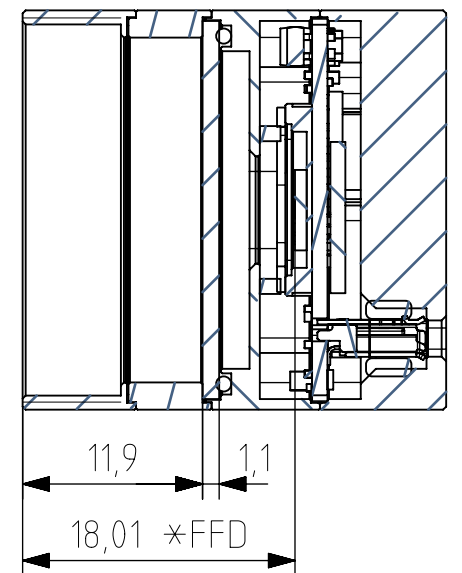


2x M2x0,4  $\nabla$ 3,2  
Max torque 0.3Nm

C-mount  
1"x32TPI  $\nabla$ 6,0

4x M2x0,4  $\nabla$ 2  
Max torque 0.3Nm

SECTION A-A



\*FFD is flange focal distance between the front flange surface and the sensor active surface.