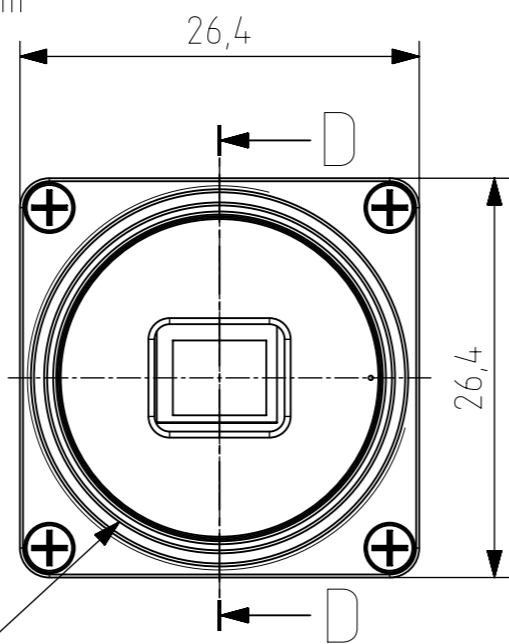
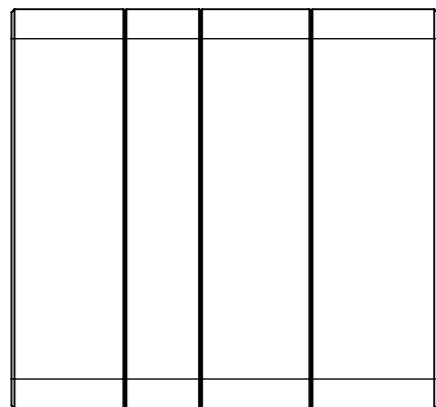
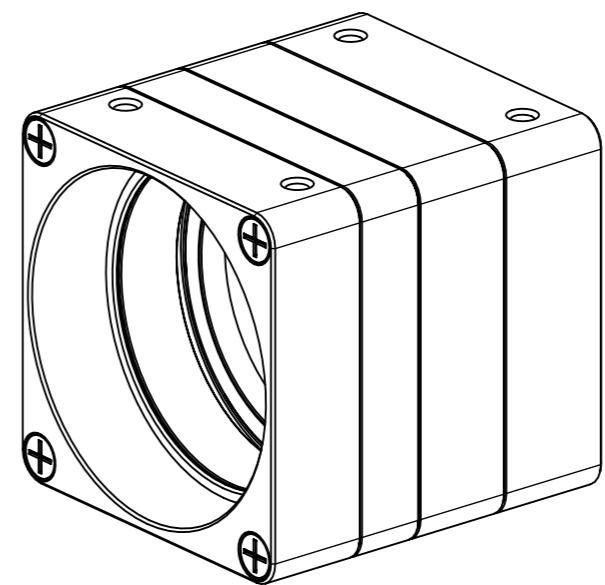
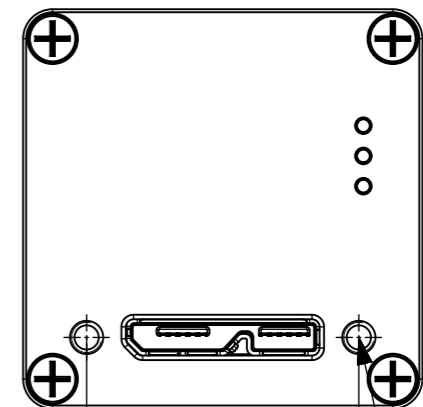
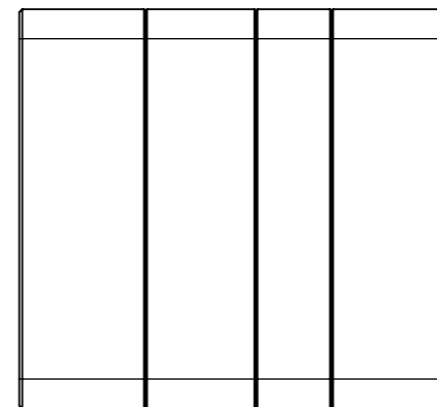


4x M2x0,4 ∇ 2
Max torque 0.3Nm

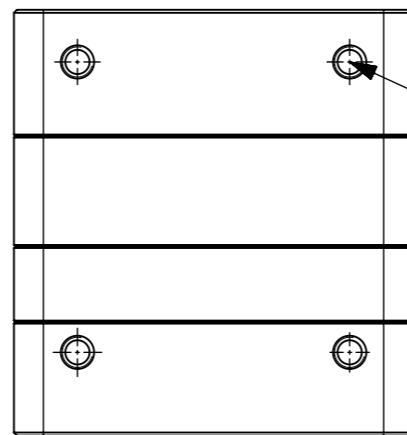
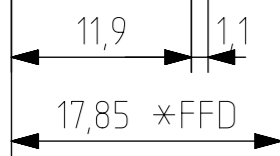
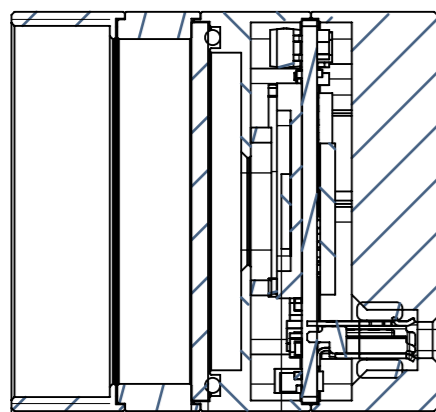


C-mount
1"x32TPI ∇ 6,0

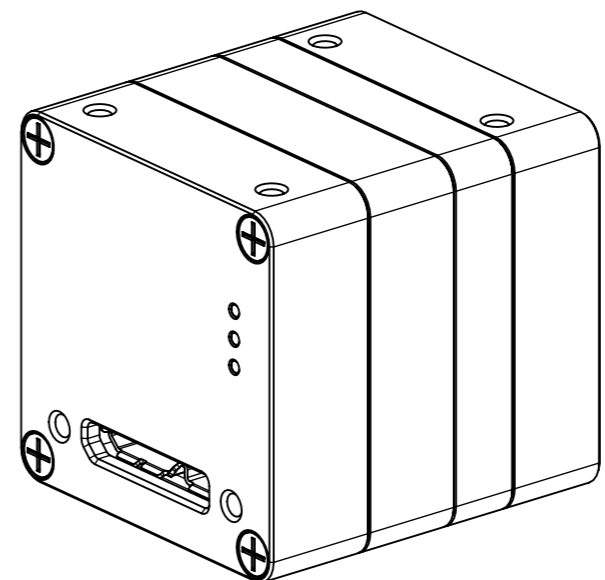


2x M2x0,4 ∇ 3,2
Max torque 0.3Nm

SECTION D-D



4x M2x0,4 ∇ 2
Max torque 0.3Nm



*FFD is flange focal distance between the front flange surface and the sensor active surface.