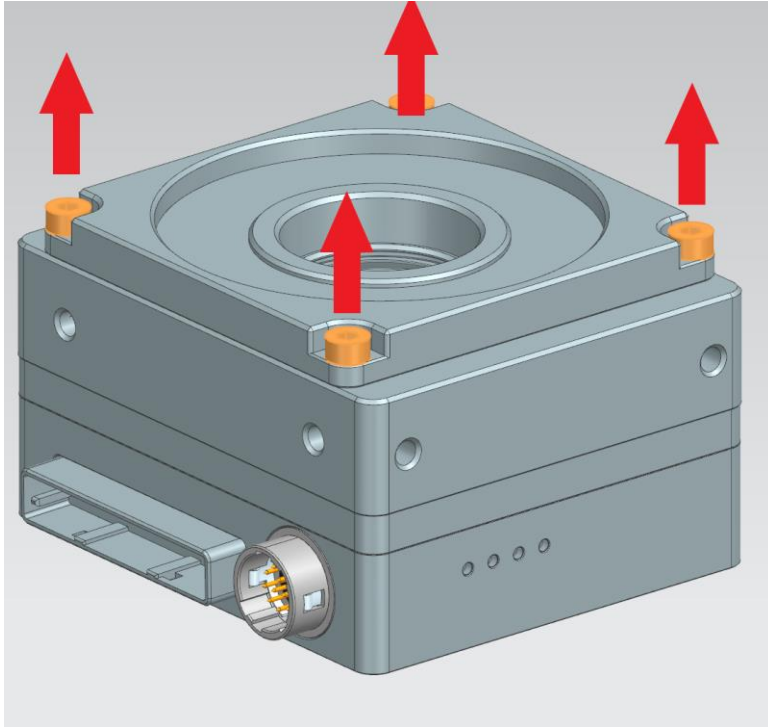
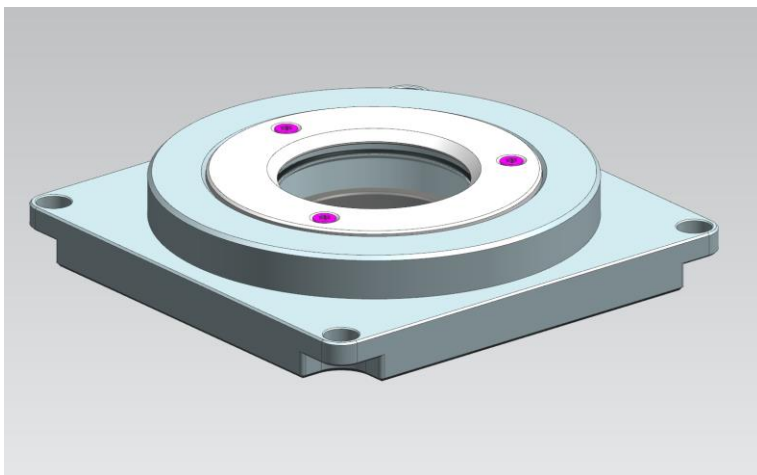


Removal of the BK7 or IR650 filter from LA-C-MNT-60MM

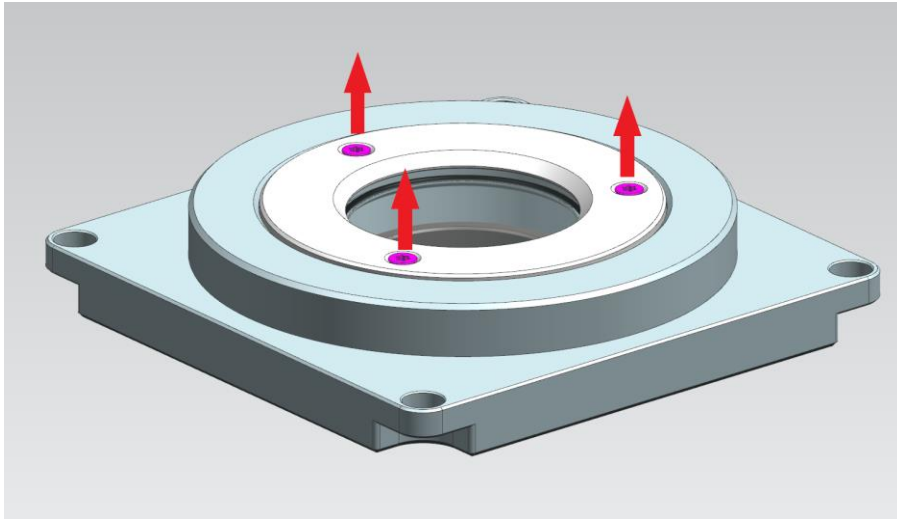
If the lens accessory is already attached to the camera, unscrew 4 M4 screws using the 2.5 hexagonal screwdriver.



Rotate the accessory to the bottom side.



Unscrew three M1.6 screws using TX5 screwdriver and remove the holding ring.



Remove the filter and rubber o-ring from pocket.

