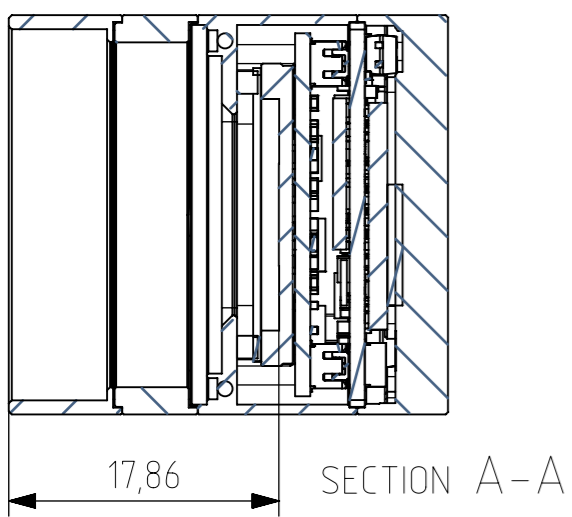
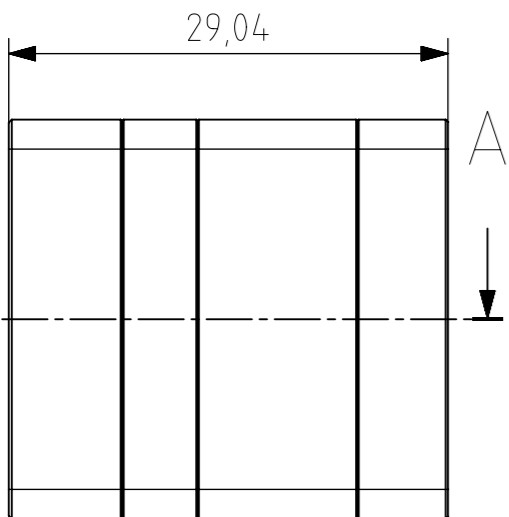
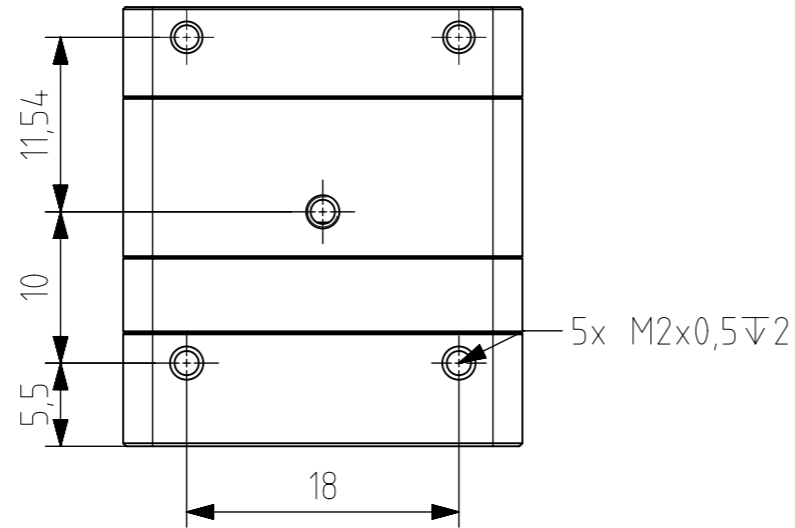


C-mount adapter (1''-32)



SECTION A-A

This drawings is the property of XIMEA s.r.o. No use thereof shall be made other than as a reference for proposals as submitted to XIMEA s.r.o. for jobs to be executed in conformity with such proposals unless the consent of said XIMEA s.r.o. has previously been obtained. No part of this drawing shall be copied or duplicated or its contents disclosed. The information contained on this drawing is confidential and proprietary.

Designed	20231606	Name:	R&D	PN:	MCXXXxG-SY-PG4-FL	Customer PN:	NA	Surface Quality:	Ra		
Drawn	20231213		GS			Material:		Surface Finish:			
Approved				PN MFG		First angle projection		Weight:			
QC											
MFGP											
Department:	R&D	Default tolerance:				Units:	mm	Scale:	3:1	Format:	A3
						Doc Type:	EU	PART REVISION	01	DOCUMENT REVISION	A
					Document Nr:					Page:	1 of 1

