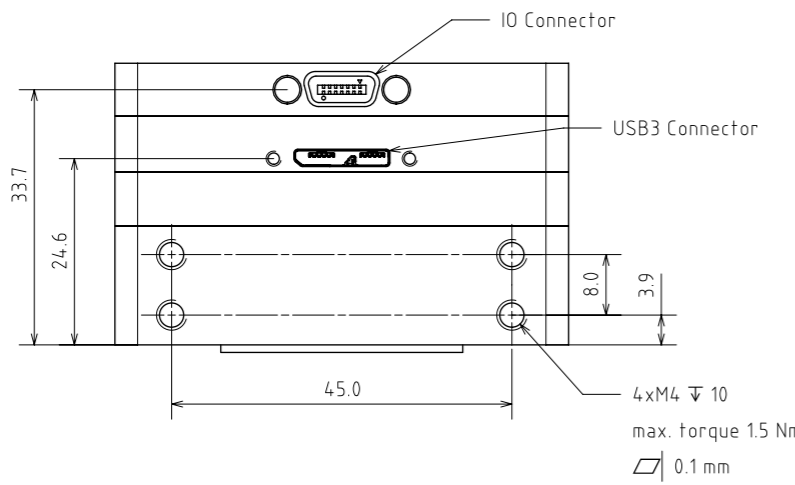
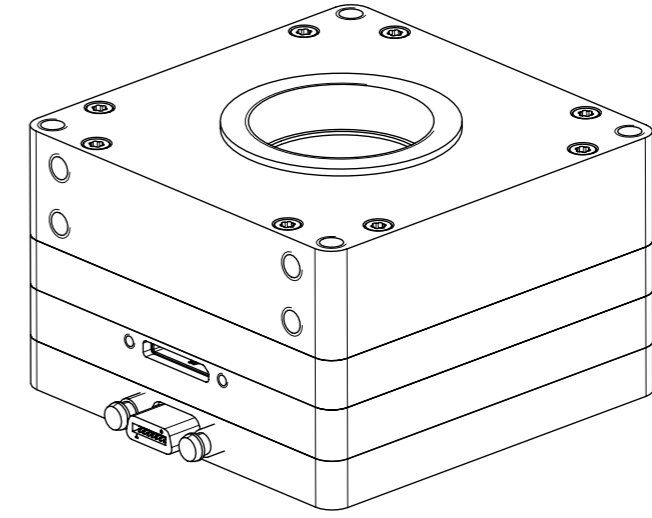
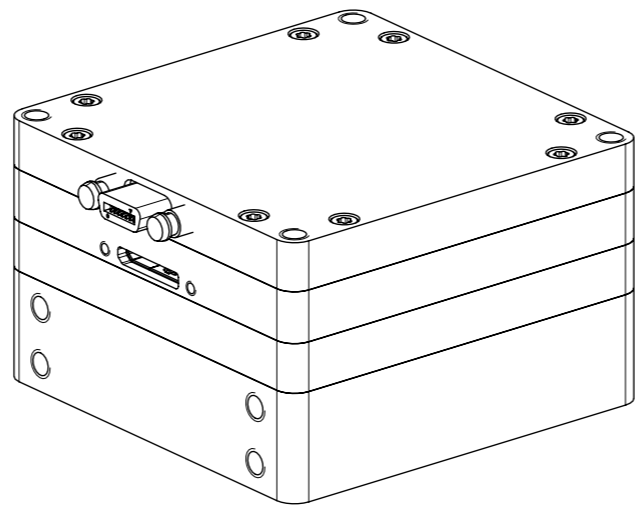
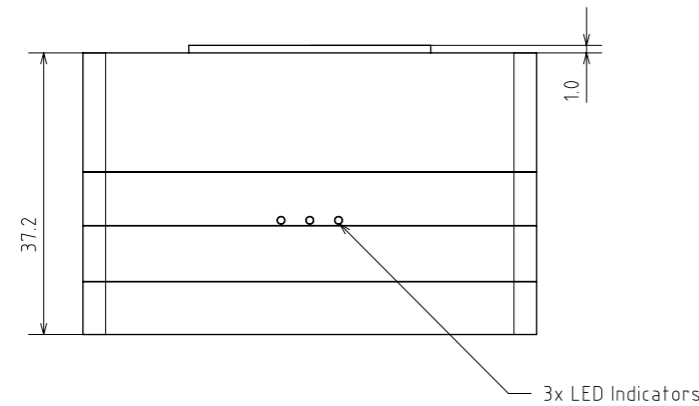
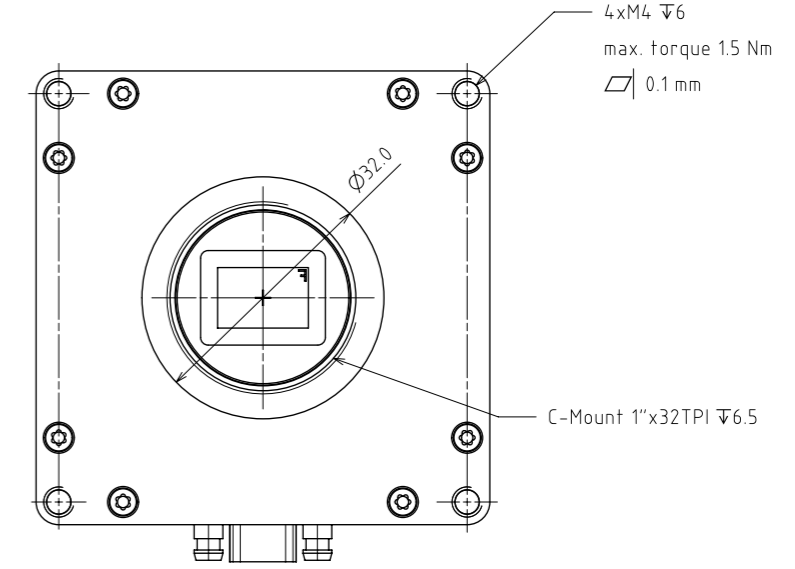
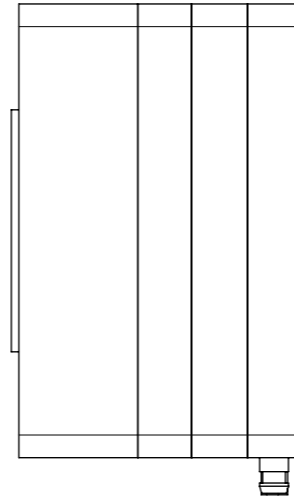
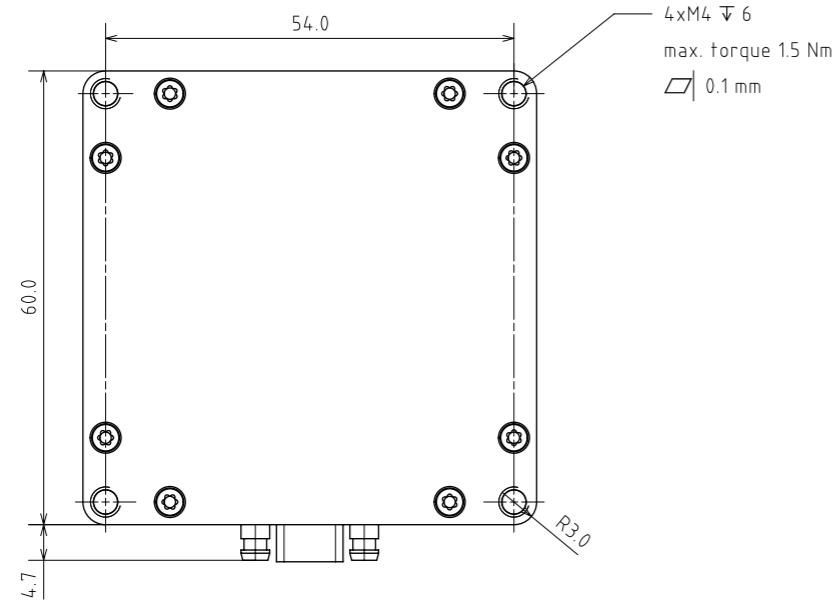


This drawing is the property of XIMEA No use thereof shall be made other than as a reference for proposals as submitted to XIMEA for jobs to be executed in conformity with such proposals unless the consent of XIMEA has previously been obtained. No part of this drawing shall be copied or duplicated or its contents disclosed. Information contained on this drawing is confidential and proprietary.



Date:	2014.04.22	Name:	LIZARD	PN:	MD XX	Customer PN:	NA	Surface Quality:	Ra 3.2
Designed	2014.04.22	Drawn	2014.04.22	Approved	2014.04.22	Material:	AA7019	Surface Finish:	Black Anodized
QC	2014.04.22	MFGP	2014.04.22	Department:	LIZARDTECH	Project Class	MD Industrial	Weight:	NA
Default tolerances:		ISO2768-f		Top Level Assembly		Units:	mm	Scale:	1:1
Change				Date		Name		Format	A3
Document Nr:						Doc Type:	Part Doc:	Version	Revision
ximea						MD MECH DWG EU 1B	EU	1B	1 of 1