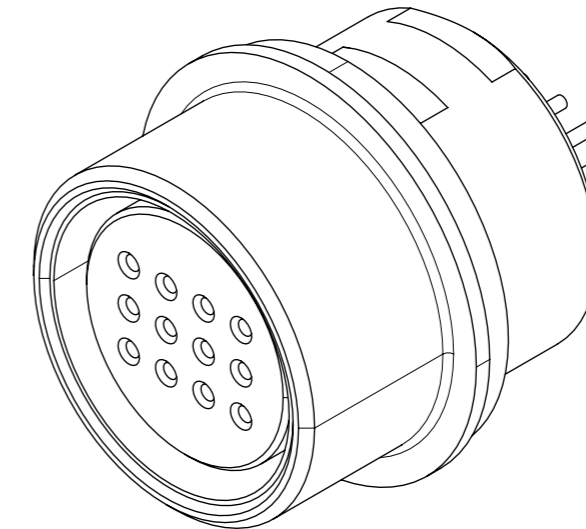
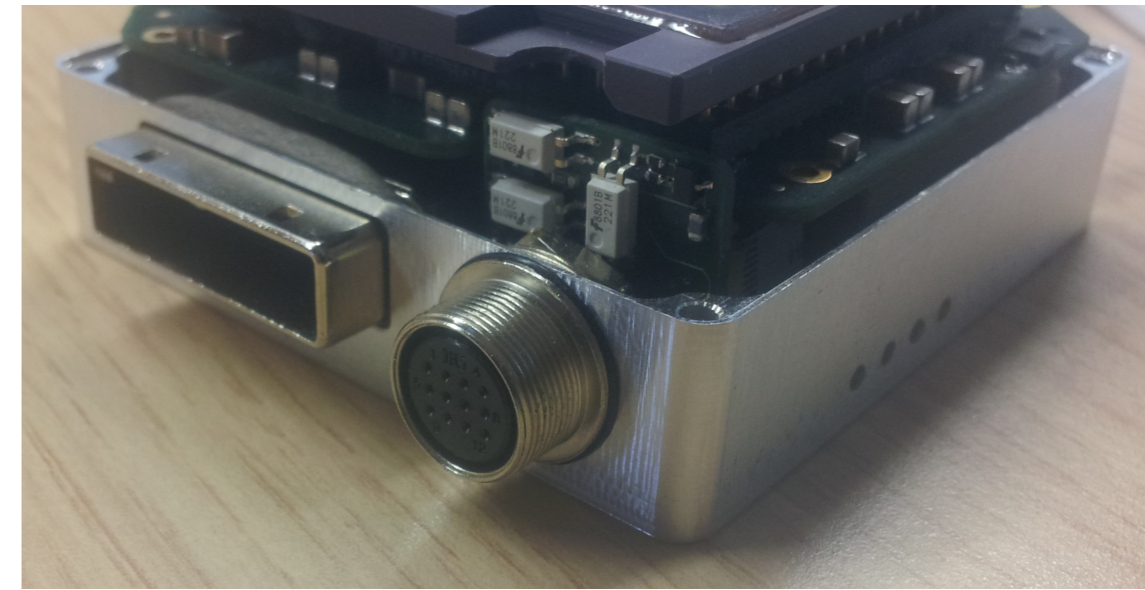
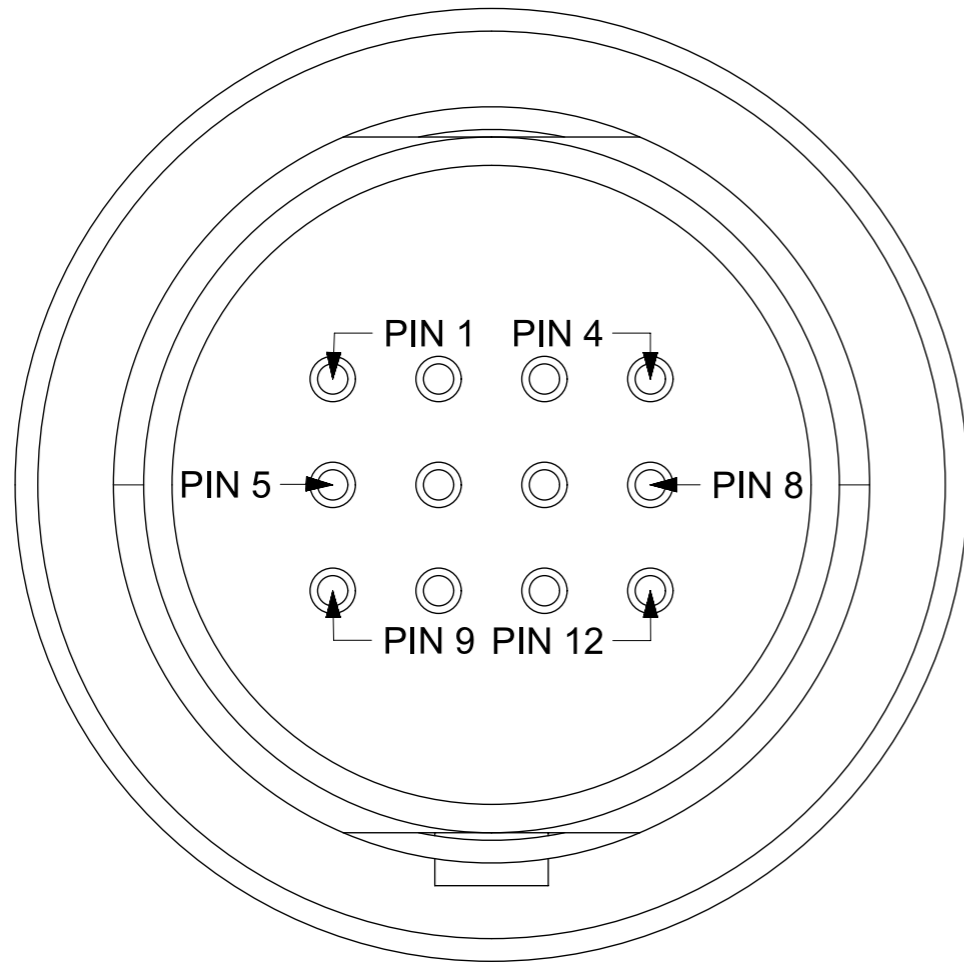


This drawings is the property of XIMEA GmbH. No use thereof shall be made other than as a reference for proposals as submitted to XIMEA GmbH for jobs to be executed in conformity with such proposals unless the consent of said XIMEA GmbH has previously been obtained. No part of this drawing shall be copied or duplicated or its contents disclosed. The information contained on this drawing is confidential and proprietary.



IO Connector Pin Definition

PIN NUM	Signal Name	Direction	Voltage Level	Description
PIN 1	GND	NA	NA	External Ground for Power Supply and non-isolated I/O Pins
PIN 2	PWR	NA	(+5V - +24V)	Power Supply (typ. 5 - 5.5W)
PIN 3	IN1	Input	Low: 0-0.8V High: 5-24V	Opto - Isolated Input1
PIN 4	IN2	Input	Low: 0-0.8V High: 5-24V	Opto - Isolated Input2
PIN 5	IN_GND	NA	NA	Common Ground for Opto-Isolated Input1 / Input2
PIN 6	INOUT1	Input/Output	LVTTL(3.3V, 50uA)	Non - Isolated Input/Output 1
PIN 7	INOUT2	Input/Output	LVTTL(3.3V, 50uA)	Non - Isolated Input/Output 2
PIN 8	OUT1	Output	Open Collector	Opto - Isolated Output1
PIN 9	OUT2	Output	Open Collector	Opto - Isolated Output2
PIN 10	OUT_GND	NA	NA	Common Ground for Opto-Isolated Output1 / Output2
PIN 11	INOUT3	Input/Output	LVTTL(3.3V, 50uA)	Non - Isolated Input/Output 3
PIN 12	INOUT4	Input/Output	LVTTL(3.3V, 50uA)	Non - Isolated Input/Output 4

HR25-9TR-12S

Current Rating	1A
Withstand Voltage	300V AC for 1 minute
Insulation Resistance	1000 MOhm
Contact Resistance	30mOhm
Mating Connectors	HR25-9TP-12P(Solder Type); HR25-9TP-12PC(Crimp Type)

Date:	Name:	PN:	Customer PN:	Surface Quality:
Designed 20130712	MK	CB200 IO Connector Description	NA	Ra 0.8
Drawn 20130712	MK	Project Class	Material:	Surface Finish:
Approved 20130712	MK		ENAW6061	OPTICAL BLACK
QC		SERIES Top Level Assembly	First angle projection	Weight:
MFGP				
Department:	Default tolerances:	Change	Units:	Scale: 2:1
R&D	ISO2768-f	Date	mm	Format
		Name	Doc Type:	A3
		Document Nr:	Part Doc:	Version Revision
			EU	1.0
				Page:
				1 of 1