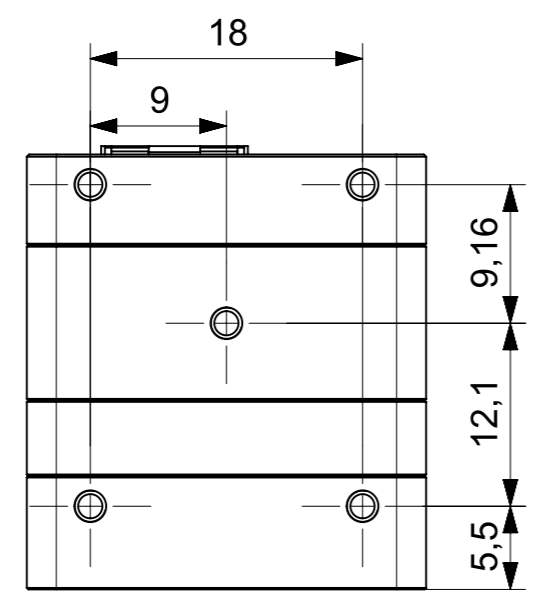
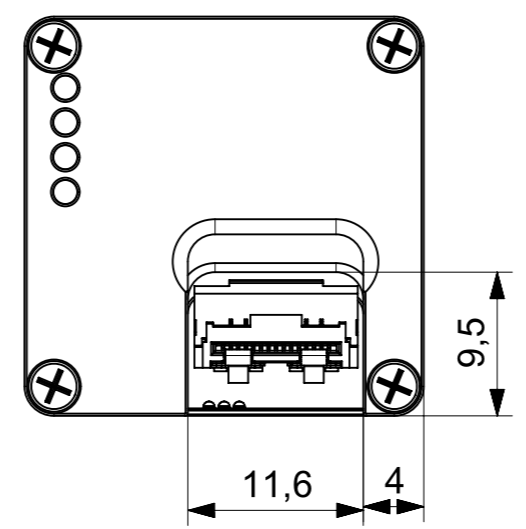
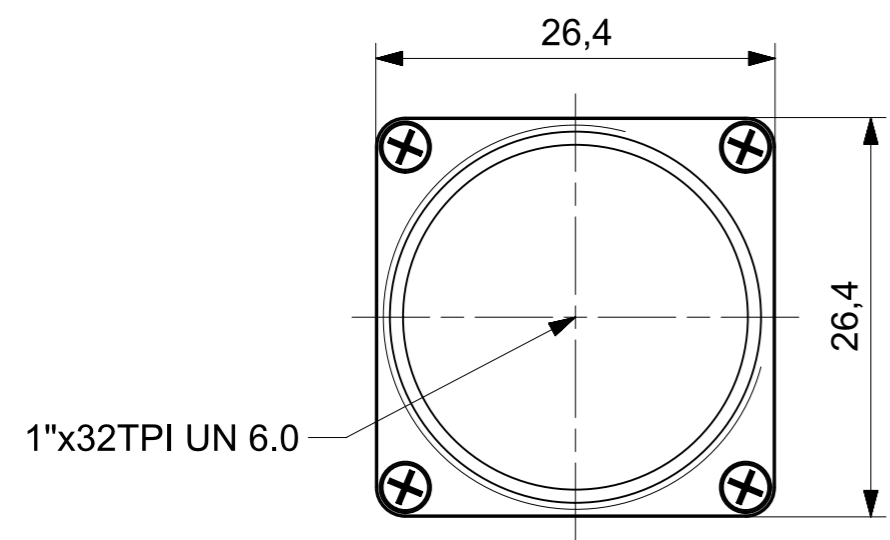
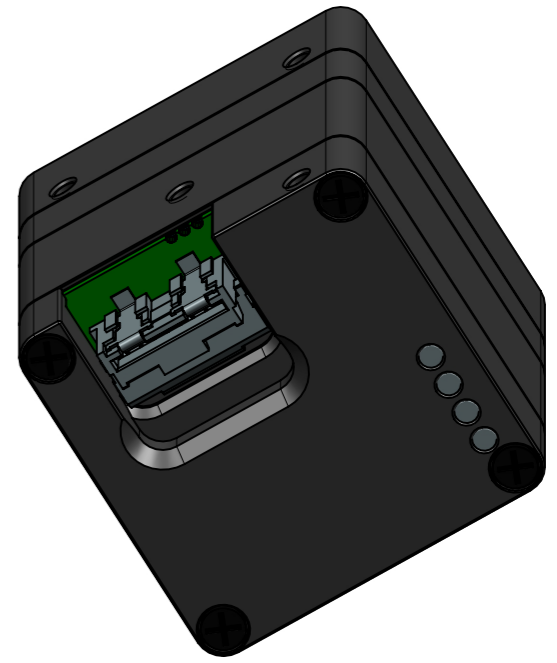
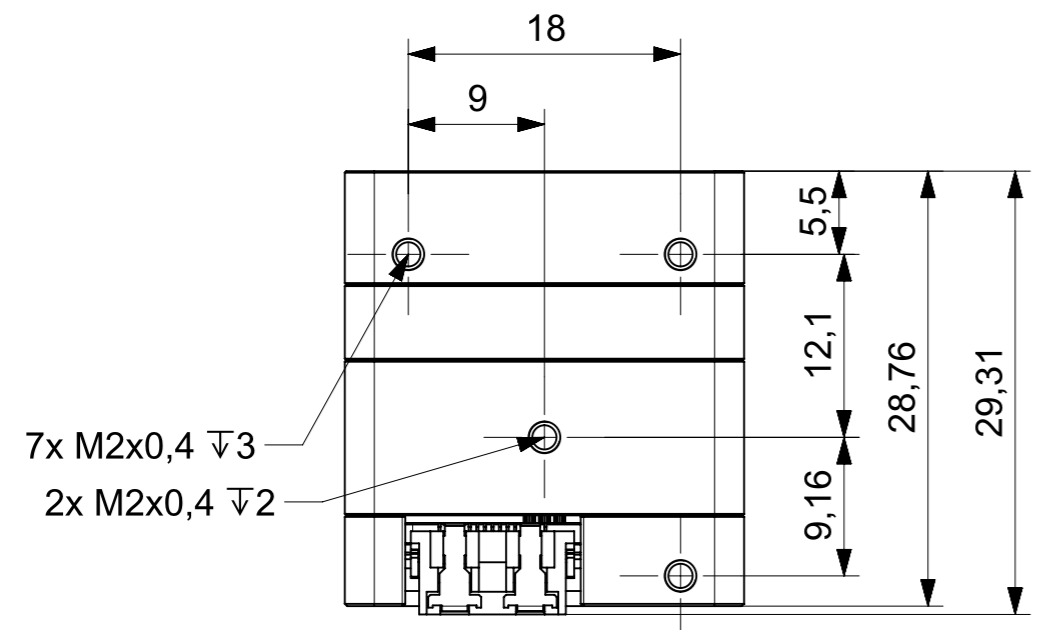



1 2 3 4 5 6 7 8

A
B
C
D
E
F



Date:	20160420	Name:	PINDROCH	PN:	MC050xG-SY-FV		Customer PN:	NA	Surface Quality:				
Designed	20170217	Drawn	20170217	SPANO	Project Class MC Top Level Assembly		Material:	ENAW6061	Surface Finish:	OPTICAL BLACK			
Approved	20170217	QC	20170217	SPANO			Weight:						
MFGP	20170217	Department:	R&D	Default tolerances:	ISO2768-f	Units:	mm	Scale:	2:1	Format:	A3		
							Doc Type:	EU	Part Doc:	Version Revision:	1.0	Page:	1 of 1

This drawings is the property of XIMEA GmbH. No use thereof shall be made other than as a reference for proposals as submitted to XIMEA GmbH for jobs to be executed in conformity with such proposals unless the consent of said XIMEA GmbH has previously been obtained. No part of this drawing shall be copied or duplicated or its contents disclosed. The information contained on this drawing is confidential and proprietary.

1 2 3 4 5 6 7 8 A3