

1 2 3 4 5 6 7 8

A

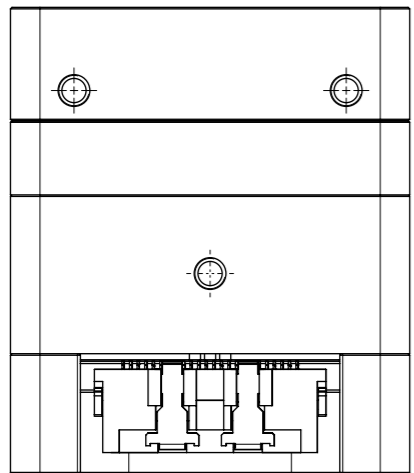
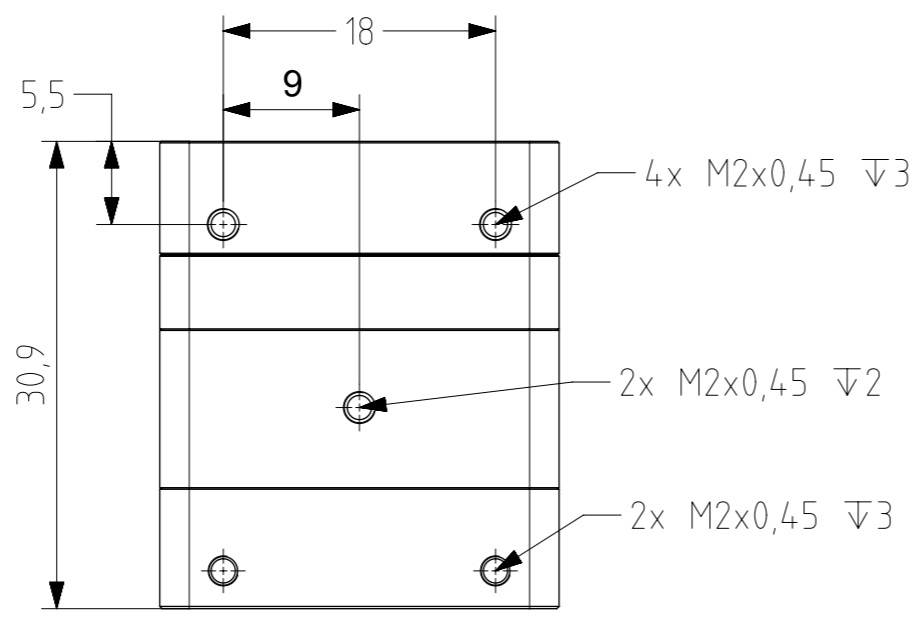
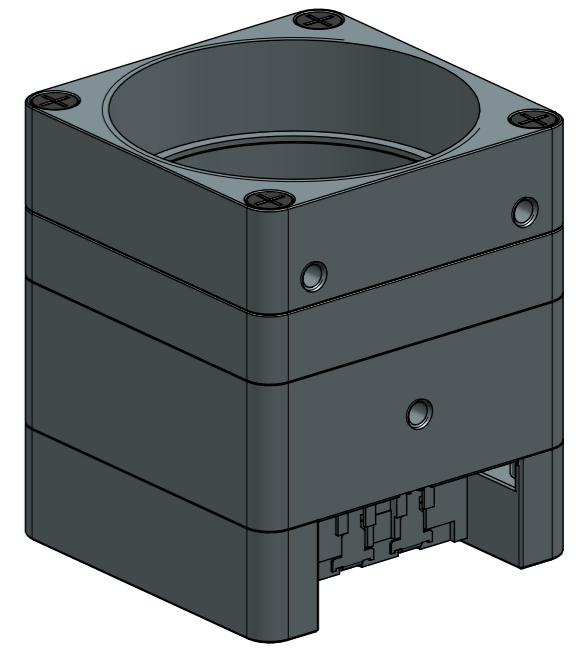
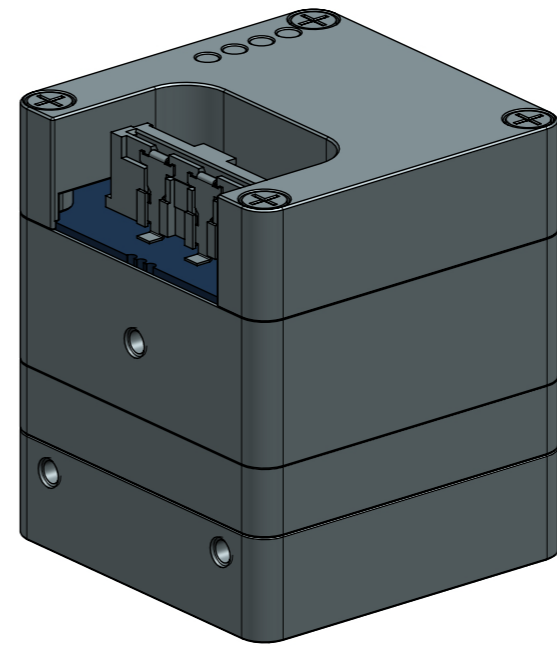
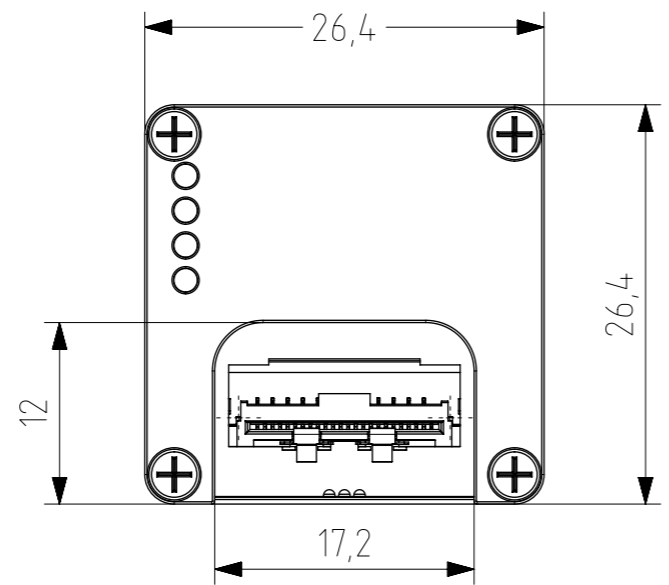
B

C

D

E

F



Date:	20150202	Name:	KLIMKOVIC	PN:	MX023MG-SY-X2G2-FV	Customer PN:	NA	Surface Quality:	
Designed	20150202	Drawn	20170217	Approved	20170217	Material:		Surface Finish:	OPTICAL BLACK
QC	20170217	MFGP	20170217	Project Class		First angle projection		Weight:	
Department:		Default tolerances:		MX		Units:		Scale: 1:1	
R&D		ISO2768-1		Top Level Assembly		mm		Format	
				Change		Date		Name	
				Edges		ISO 13715		Doc Type:	
				Surface		ISO 1302		EU	
						Part Doc:		Version Revision	
								1.0	
								Page:	
								1 of 1	

This drawings is the property of XIMEA GmbH. No use thereof shall be made other than as a reference for proposals as submitted to XIMEA GmbH for jobs to be executed in conformity with such proposals unless the consent of said XIMEA GmbH has previously been obtained. No part of this drawing shall be copied or duplicated or its contents disclosed. The information contained on this drawing is confidential and proprietary.

1 2 3 4 5 6 7 8