

1

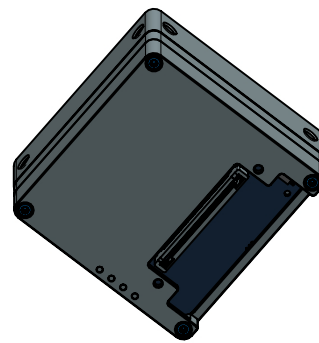
2

3

4

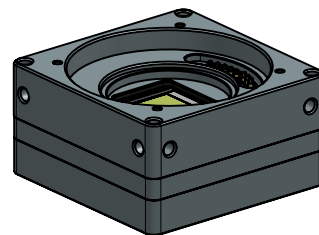
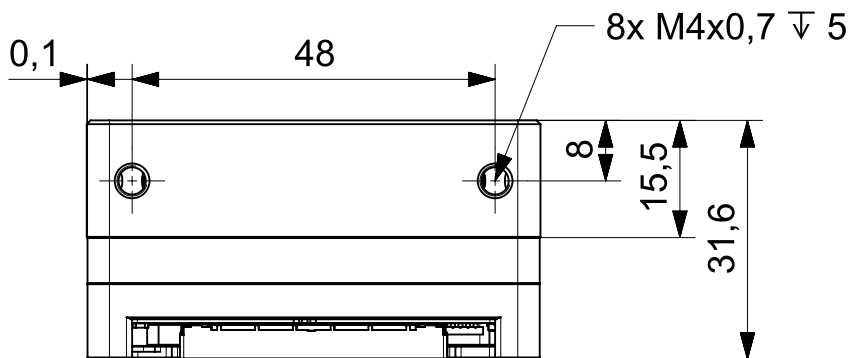
A

A



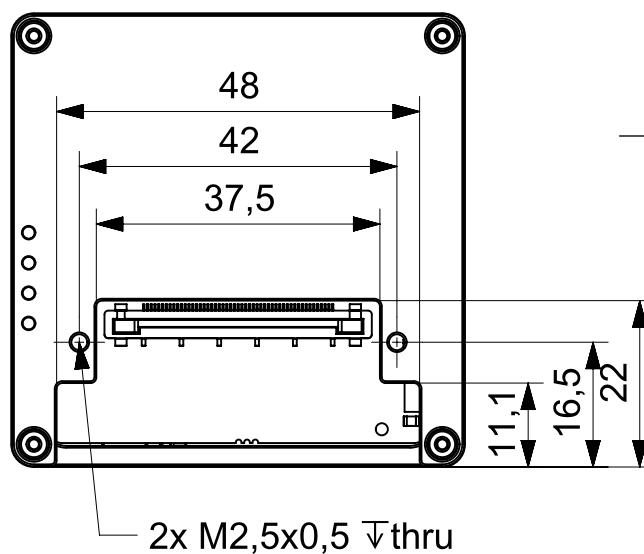
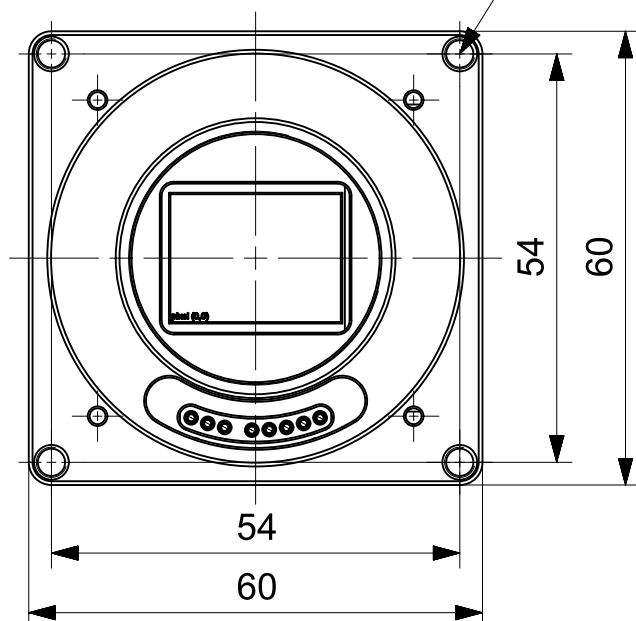
B

B



C

C

4x M4x0,7 ∇ 5

D

D


E

E

This drawings is the property of XIMEA GmbH. No use thereof shall be made other than as a reference for proposals as submitted to XIMEA GmbH for jobs to be executed in conformity with such proposals unless the consent of said XIMEA GmbH has previously been obtained. No part of this drawing shall be copied or duplicated or its contents disclosed. The information contained on this drawing is confidential and proprietary.

F

F

	Date:	Name:	PN:	Customer PN:	Surface Quality:
Designed	20140606	KLIMKOVIC	MX200xG-CM-X4G2-FV	NA	Ra
Drawn	20170309	SPANO		Material:	Surface Finish:
Approved	20170309	SPANO	Project Class MX Top Level Assembly	Black Anodized	
QC	20170309	SPANO		Weight:	
MFGP	20170309	SPANO			
Department:	R&D	Default tolerances:		Units:	Scale: 1:1
		ISO2768-1		mm	Format
			Change	Date	Name
			Document Nr:	Doc Type:	Part Doc:
				EU	Version Revision
					1.0
					Page:
					1 of 1

1

2

3

4